



T-1 LIGHTING

| | |
|-------------|-----------|
| Project | Catalog # |
| Distributor | Type |
| Prepared by | Date |

STYLUS STRIP LIGHT SERIES T1-STYLED



The **Stylus Series** is our new generation strip light with revolutionary multi-watt and multi-CCT feature. The field adjustable multi-watt, multi-color dip switch on the driver allows you to change the wattage and color temperature according to your project's needs. This series comes in 4-foot and 8-foot packages. With a slimmer construction and more polished finish, this series has a new modern architectural look that can complement even the most sophisticated spaces. It is equipped with cables to hold the lens safely when cleaning the inner housing or when installing adders such as motion sensor or emergency battery backup. This ensures the lens won't fall and get damaged during installation or maintenance. **Lifespan is 100,00 hours.**



SPEC

| Model Number | Input Power | Color Temp | Input Voltage | Lumens | Efficacy | Temp | CRI | IP |
|----------------------|-------------------------|------------|---------------|---------------------|----------|--------------------------------|-----|----------------|
| T1-STYLED2/MW25-MCCT | Multi Watt 15/20/25W | MCCT | 120-277V | 1950 - 2620 - 3300 | 133 | -20°C ~ +50°C -4°F ~ +122°F | >82 | Damp Locations |
| T1-STYLED4/MW45-MCCT | Multi Watt 34/38/45W | | | 4522 - 5054 - 5985 | | | >82 | |
| T1-STYLED8/MW90-MCCT | Multi Watt 65/75/90W | | | 8645 - 9975 - 11970 | | | >83 | |

WARRANTY: SEVEN YEAR PARTS AND FIVE YEAR LABOR
LIFESPAN 100,000 HOURS

MEASURED AT 3500K

ORDERING OPTIONS

| Series | Form Factor | Wattage | Color Temp | Voltage | Dimming | Accessories |
|-----------|----------------------|--|-------------------------------|------------------|---------------|--|
| T1-STYLED | 4/ | MW45 | -MCCT | | | -EM |
| T1-STYLED | 2 2' 4 4' 8 8' | 2' MW15 15W MW20 20W MW25 25W 4' MW34 34W MW38 38W MW45 45W 8' MW65 65W MW75 75W MW90 90W | -MCCT 3500K 4000K 5000K | [BLANK] 120-277V | [BLANK] 0-10V | [BLANK] EM None Emergency Battery Backup MS Motion Sensor SDT Step Down Transformer SDS Step Dimming Sensor |

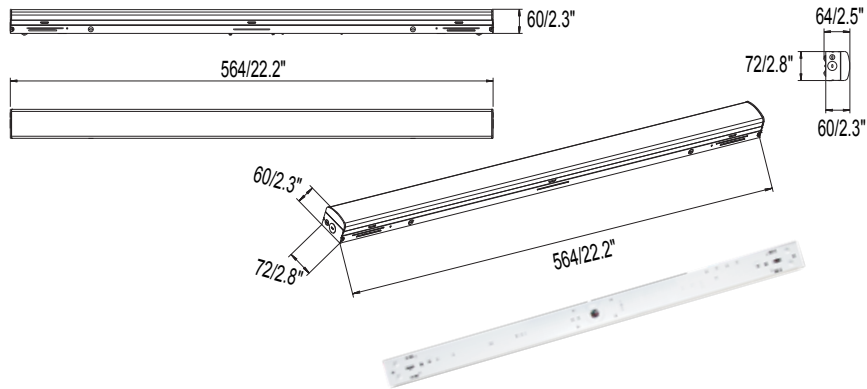


T-1 LIGHTING

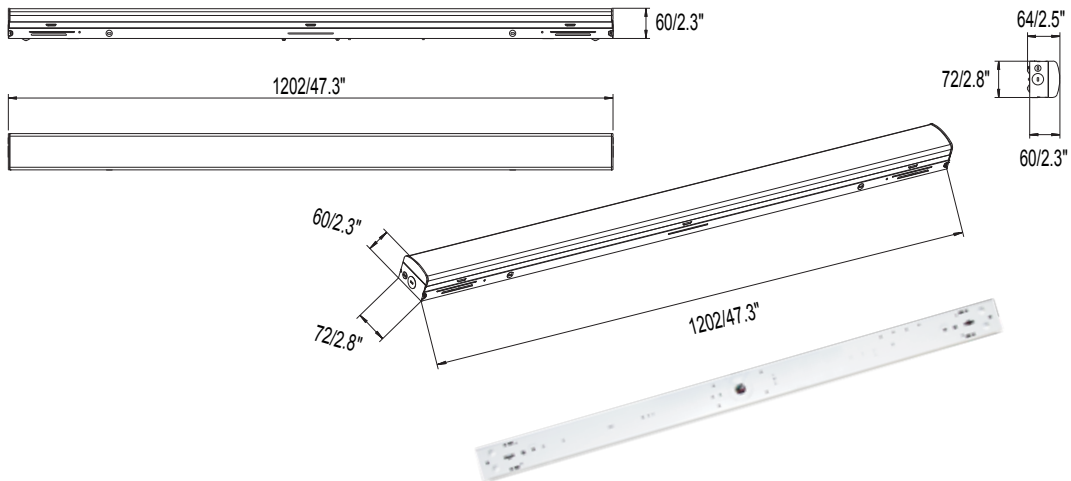
STYLUS STRIP LIGHT SERIES T1-STYLED

DIMENSIONS

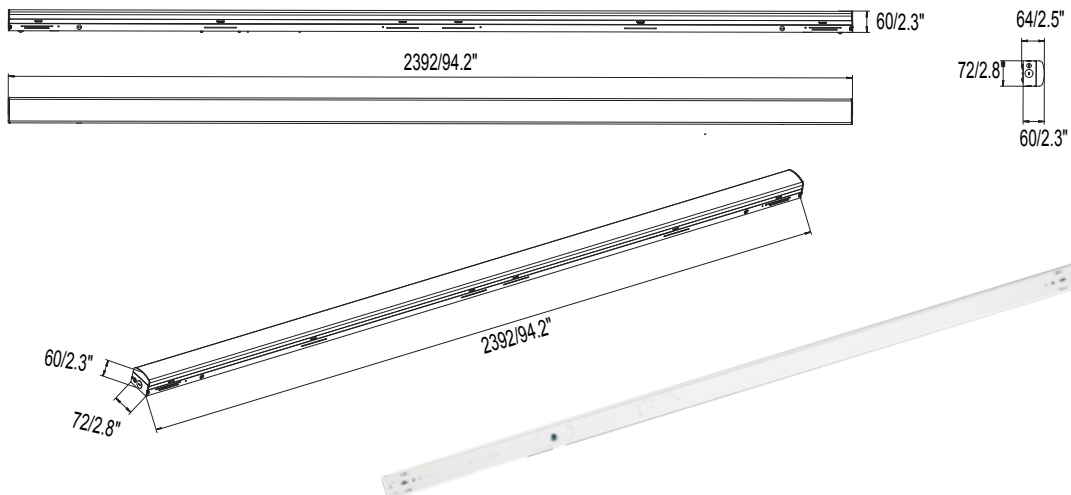
T1-SYLED2/MW25-MCCT



T1-SYLED4/MW45-MCCT

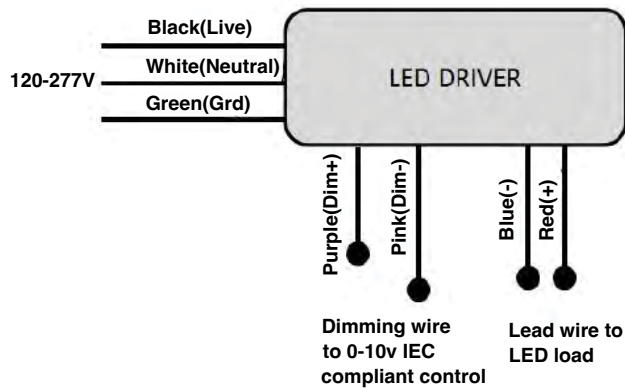


T1-SYLED8/MW90-MCCT



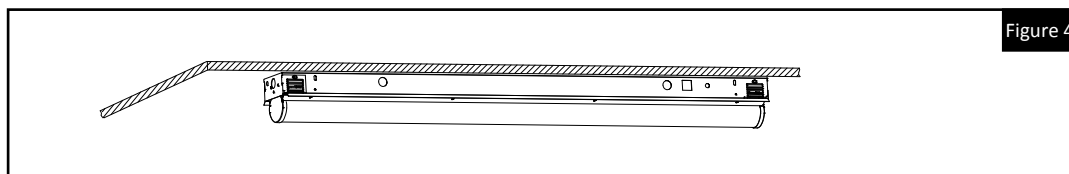
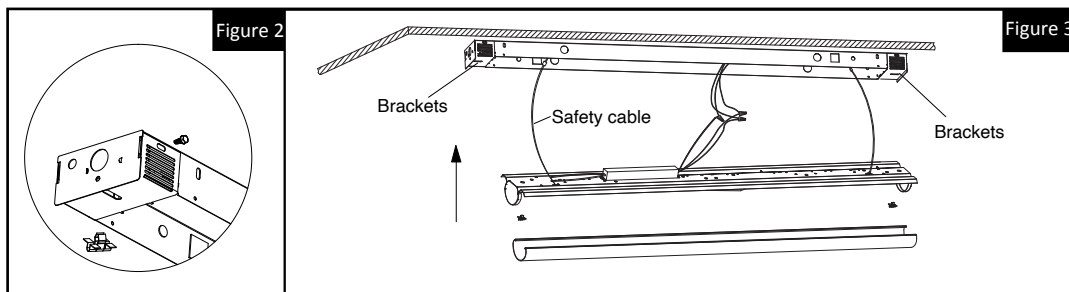
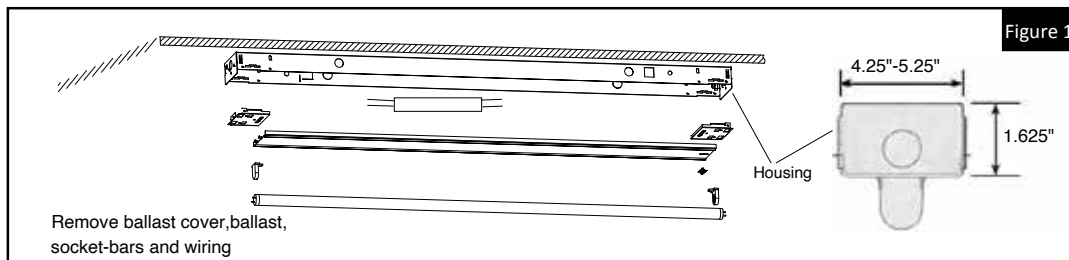
INSTALLATION

General Wiring Diagram



Component Summary

| Part | Qty. |
|--------------------------|------|
| Retrofit housing | 1 |
| Installation Bracket | 2 |
| Installation instruction | 1 |
| Lens | 1 |
| Label | 1 |



Installation Steps:

1. Shut off power to existing fixture. Disconnect the black and the white power supply wire to existing ballast.
2. Remove and discard the host fixture lamp(s). (Figure 1)
3. Remove ballast cover, ballast, socket-bars and wiring. (Figure 1)
4. Install brackets on both sides of the existing fixture housing. (Figure 2)
5. Make electrical connections. (Figure 3)
6. Install LED retrofit assembly. (Figure 3)
7. Install the lens. (Figure 3)
8. Electrically activate the fixture. (Figure 4)

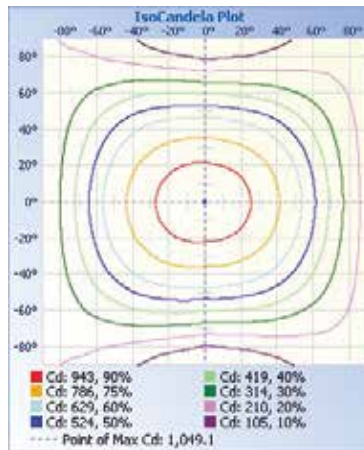
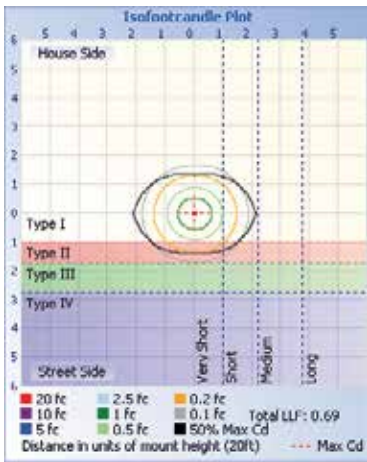


T-1 LIGHTING

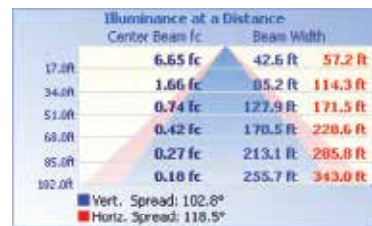
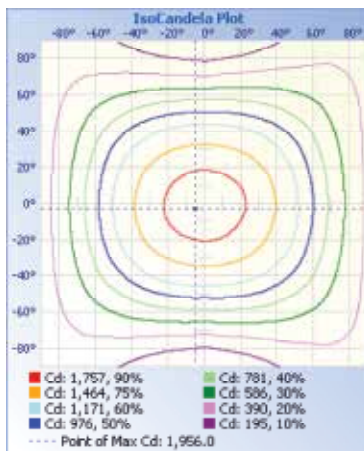
STYLUS STRIP LIGHT SERIES T1-STYLED

PHOTOMETRIC DATA

Photometric Data T1-STYLED2/MW25-MCCT



Photometric Data T1-STYLED4/MW45-MCCT



Photometric Data T1-STYLED8/MW90-MCCT

