



T-1 LIGHTING

Project	Catalog #
Distributor	Type
Prepared by	Date

ARIA MULTI-WATT SLIM AREA / FLOOD LIGHT SERIES T1-SALED-MW-MCCT-HV

The **Aria Series** is an effective way to ensure that the surrounding areas of a facility are brightly illuminated. Ideal for exterior applications, the **Aria Series** is offered in several wattages, and color temperature packages along with several mounting options for wall or pole mounting. Lifespan 100,000 Hours.



SPEC

Model Number	Input Power	Color Temp	Input Voltage	Lumens	Efficacy	Temp	CRI	IP
T1-SALED/MW150-MCCT-HV	Multi-Watt 75/100/120/150	MCCT	480V	11400 - 15200 - 18240 - 22800	152	-40°C ~ +55°C -40°F ~ +131°F	>73	IP65
T1-SALED/MW320-MCCT-HV	Multi-Watt 160/200/240/320			24320 - 30400 - 36480 - 48640				

WARRANTY: FIVE YEAR PARTS
LIFESPAN: 100,000 HOURS

ORDERING OPTIONS

SERIES	WATTAGE	COLOR TEMP	VOLTAGE	DIMMING	LENS OPTIONS	ACCESSORIES
T1-SALED	/MW85	-MCCT				PCB
T1-SALED	75 75W 100 100W 120 120W 150 150W 160 140W 200 200W 240 240W 320 320W	MCCT 4000K 5000K	[Blank] 480V	[Blank] 0-10V BD Bi-Level dimming	[Blank] Type III IV Type IV V Type V	PCB Button-style photocell PCT Twist-lock photocell MS Bi-level Micro-wave sensor PS Bi-level PIR sensor AR Arm extension SF Slip fitter TR Trunnion UB U-bracket

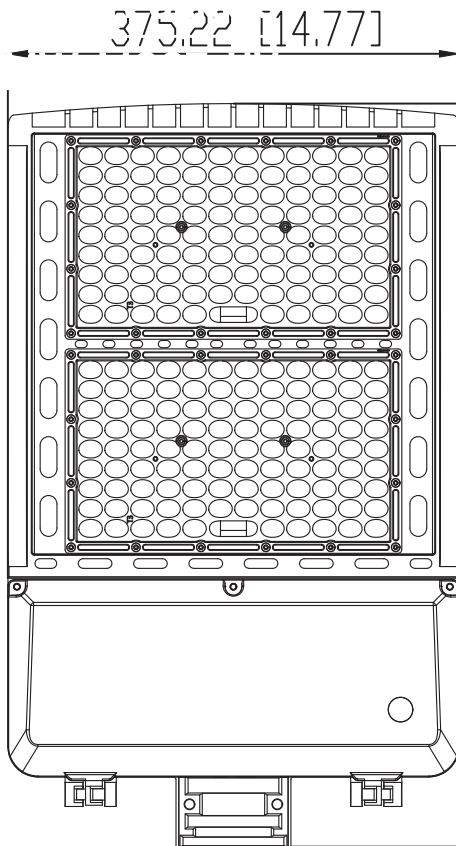
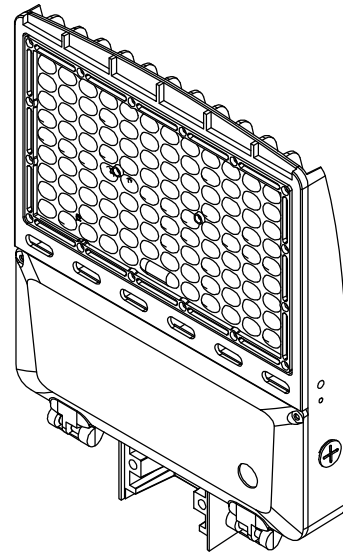
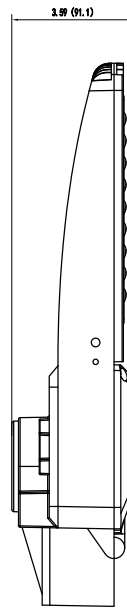
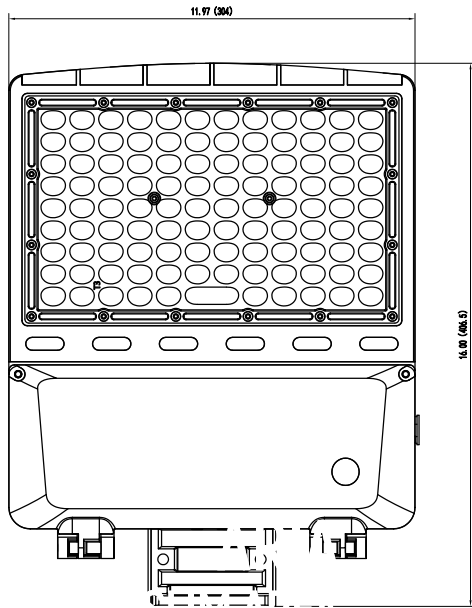


T-1 LIGHTING

ARIA MULTI-WATT SLIM AREA / FLOOD LIGHT SERIES

T1-SALED-MW-MCCT-HV

DIMENSIONS



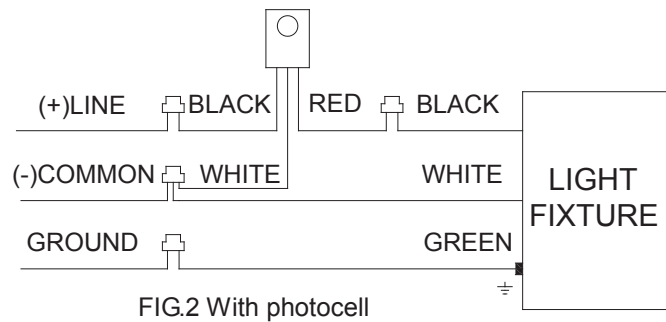
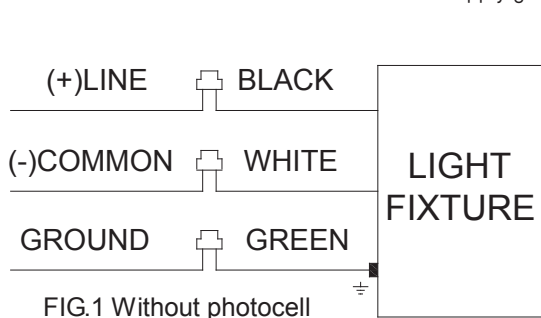
96.96 [3.82]



WIRING DIAGRAM

Universal voltage driver permits operation at 277V to 480VAC, 50 or 60 Hz **except fixtures factory ordered with a (PC)**

1. Connect the black fixture lead to the (+) LINE supply lead.
2. Connect the white fixture lead to the (-) COMMON supply lead.
3. Connect the GROUND wire from fixture to supply ground

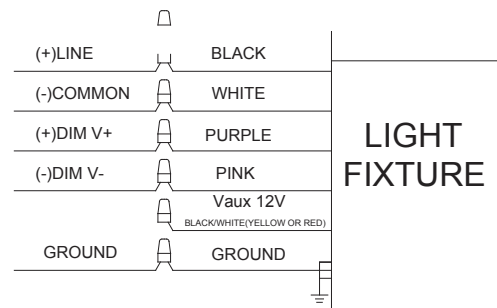


0-10V Dimmable Wiring

Universal voltage driver permits operation at 277V thru 480V, 50 or 60 Hz. For 0-10V Dimming, follow the wiring directions as in fig. 3.

1. Connect the black fixture lead to the (+) LINE supply lead.
2. Connect the white fixture lead to the (-) COMMON supply lead.
3. Connect the GROUND wire from fixture to supply ground. Do NOT connect the GROUND of the dimming fixture to the output.
4. Connect the purple fixture lead to the (V+) DIM lead.
5. Connect the Pink fixture lead to the (V-) DIM lead.
6. Cap the Vaux 12V fixture lead, if present. Do NOT connect.

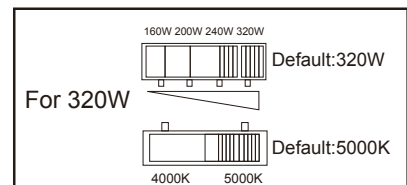
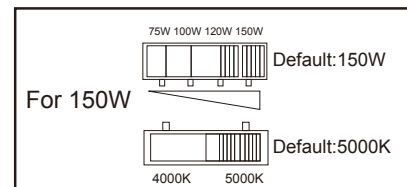
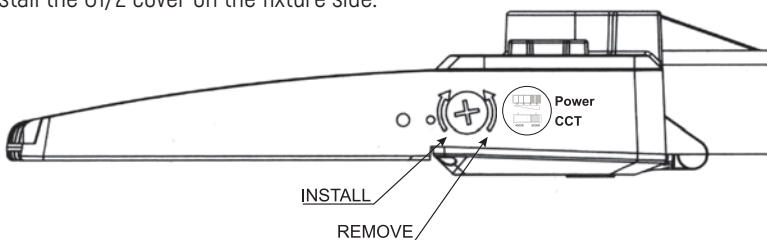
Note: DIM V+, DIM V- wire should be SJOW or SJTW 2-core wire, wire color DIM V+ should be purple, DIM V- should be pink, white, green, green yellow is not recommended



Watt and CCT Turnable Switch

(Only for the Models with Power and CCT adjustable functions)

1. Unscrew the G1/2 cover on the fixture side.
2. Select the Wattage and CCT
3. Install the G1/2 cover on the fixture side.

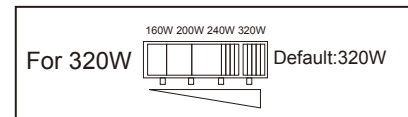
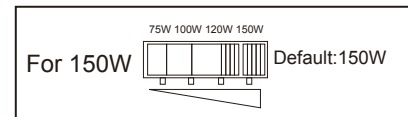
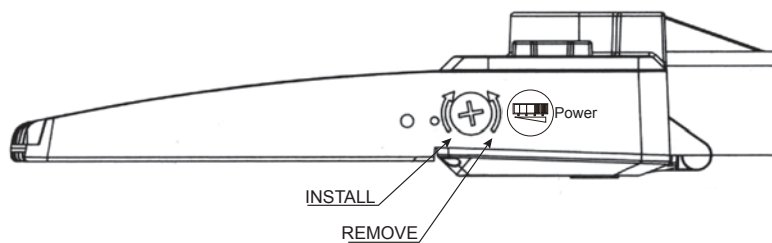


MOUNTING DIAGRAM

WATTAGE ADJUSTABLE SWITCH SETTING

(Only for the Models with Power adjustable functions)

1. Unscrew the G1/2 cover on the fixture side
2. Select the Wattage
3. Install the G1/2 cover on the fixture side



Slip fitter Mounting

1. The slip fitter mounting fits a 2 3/8" O.D. Tenon. Place the slip fitter over the Tenon and secure the fixture with the Set Screws [2] on the side of the slip fitter.
2. Remove two screws on side of Round Cover Plate. Remove the Round Cover Plate and adjust the angle of the fixture.
3. Loosen the Locking Bolt and swivel fixture to desired angle.
4. Tighten the Locking Bolt and re-attach Round Cover Plate.

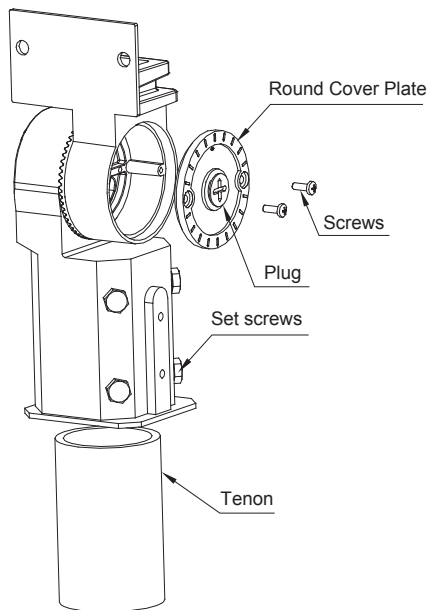


FIG.1

Trunnion Mounting

CAUTION: UL and C-UL listed or CSA certified liquid tight cord grip suitable for use with three conductor type STW flexible cord shall be used for connection to a wet location outlet box provided by others.

To adjust the angle of the fixture using the trunnion:

1. Loosen the Pivot Bolts & angle locking screw.
2. Adjust fixture to desired angle.
3. Tighten Pivot Bolts & angle locking screw.

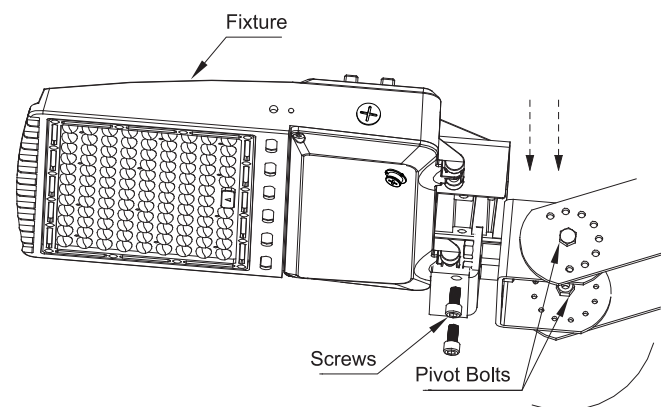


FIG.2

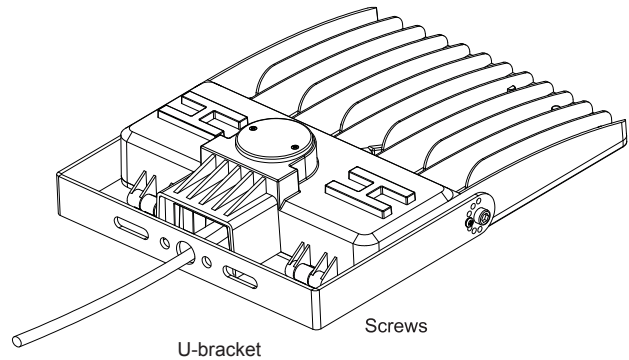
MOUNTING DIAGRAM

U-BRACKET MOUNTING

To adjust the angle of the fixture using the bracket:

1. Loosen the angle locking screw.
2. Adjust fixture to desired angle.
3. Tighten angle locking screw.

TAKE OFF THE PLUG TO INSTALL OR REMOVE THE SENSOR WHEN NEEDED AS FIG INDICATED



Adjustable Arm Mounting

1. Square Pole Installation: Install the arm base on the square pole[FIG.3] , connect the wires correctly , slide the fixture down to the arm base and screw the two safety screws[FIG.4]
2. Round Pole Installation: Make the mounting base arc-shaped to fit the round pole[FIG.5] , screw the plate and mounting base together[FIG.6] , connect the wires correctly , slide the fixture down to the arm base and screw the two safety screws[FIG.7].

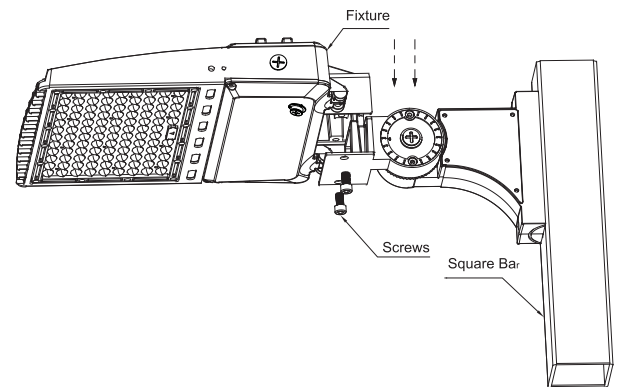
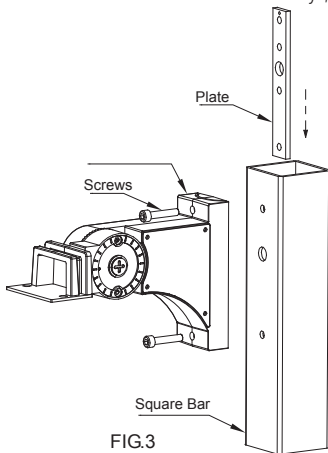


FIG.4

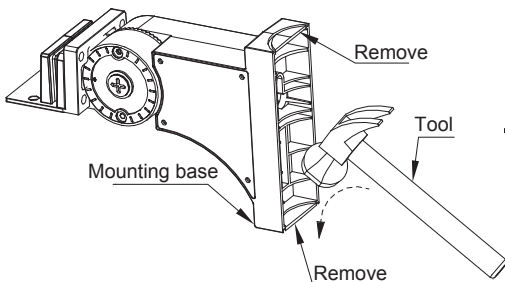


FIG.5

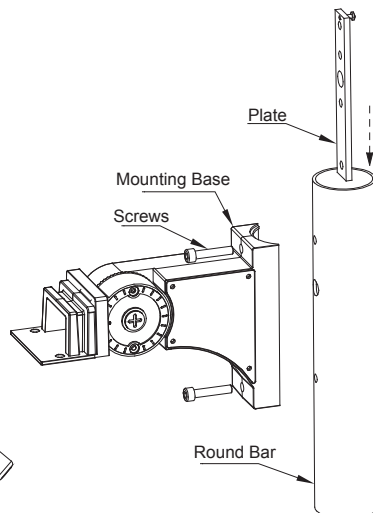


FIG.6

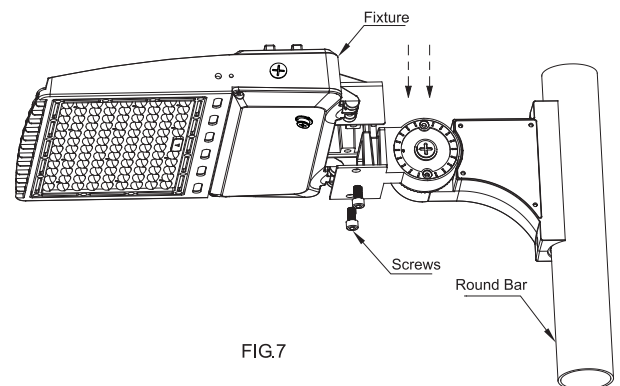


FIG.7



T-1 LIGHTING

ARIA MULTI-WATT SLIM AREA / FLOOD LIGHT SERIES

T1-SALED-MW-MCCT-HV

COMPONENTS

HOUSING

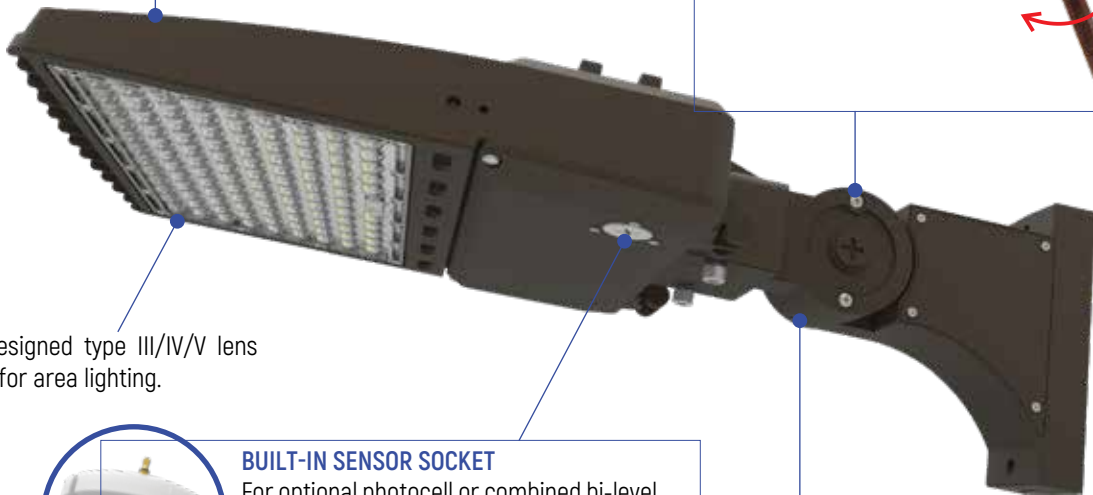
High pressure die casting aluminum power coating housing, with integral heat sink fins for excellent heat dissipation performance.

ADJUSTABLE ANGLE



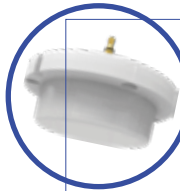
OPTICS

Accurate designed type III/IV/V lens specialized for area lighting.



BUILT-IN SENSOR SOCKET

For optional photocell or combined bi-level sensor and daylight sensor functions.



MOUNTING OPTIONS



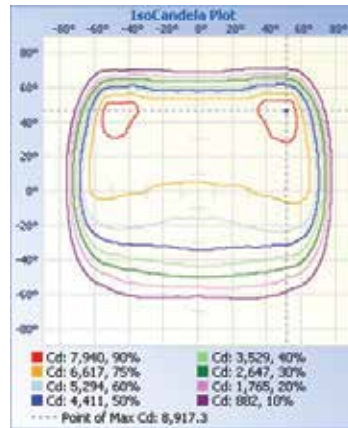
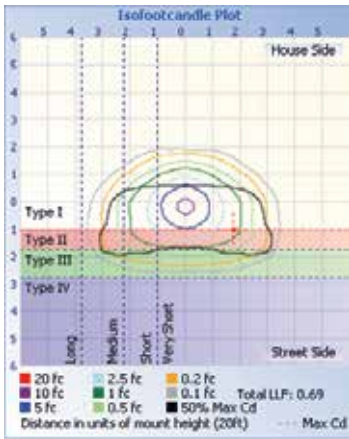


T-1 LIGHTING

ARIA
MULTI-WATT SLIM AREA
/ FLOOD LIGHT SERIES
T1-SALED-MW-MCCT-HV

PHOTOMETRIC DATA

PHOTOMETRIC DATA 150W

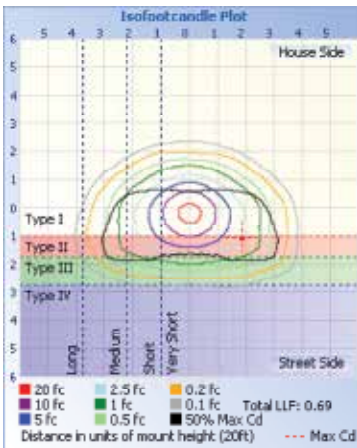


Illuminance at a Distance

Center Beam fc	Beam width
21.8 fc	35.4 ft 68.9 ft
5.46 fc	70.8 ft 137.8 ft
2.43 fc	106.2 ft 206.7 ft
1.37 fc	141.6 ft 275.5 ft
0.87 fc	177.1 ft 344.4 ft
0.61 fc	212.5 ft 413.3 ft

Vert. Spread: 92.3°
 Horiz. Spread: 127.5°

PHOTOMETRIC DATA 320W



Illuminance at a Distance

Center Beam fc	Beam width
47.4 fc	37.0 ft 71.2 ft
11.8 fc	74.0 ft 142.5 ft
5.26 fc	111.0 ft 213.7 ft
2.96 fc	148.0 ft 284.9 ft
1.89 fc	185.0 ft 356.1 ft
1.32 fc	222.0 ft 427.4 ft

Vert. Spread: 94.8°
 Horiz. Spread: 129.0°