



**T-1 LIGHTING**

Project	Catalog #
Distributor	Type
Prepared by	Date

# VUE VAPOR TIGHT SERIES T1-VUTLED

The **Vue Series** is our new generation vapor tight fixture with the revolutionary multi-watt and multi-CCT feature. The field adjustable multi-watt, multi-color dip switch on the driver allows you to change the wattage and color temperature according to your project's needs. This series is IP65 and IK08 rated. This is particularly ideal for food & beverage factories, refrigerated storage rooms, underground parking and tunnels. This series comes in 2-foot, 4-foot and 8-foot packages. The Vue Series is linkable. V-hooks and J-adaptors are included. Suitable for damp locations and **lifespan is 100,000 hours.**



## SPEC

Model Number	Input Power	Color Temp	Input Voltage	Lumens	Efficacy	Temp	CRI	IP
T1-VUTLED4/MW54-MCCT	Multi Watt 38/46/54W	MCCT	120-277V	5054 - 6118 - 7182	133	-40°C ~ +40°C -40°F ~ +104°F	>82	IP65
T1-VUTLED8/MW90-MCCT	Multi Watt 65/75/90W			8580 - 9900 - 11800	132			

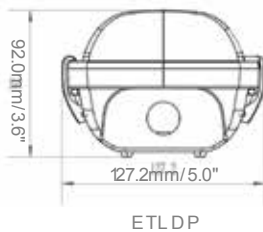
WARRANTY: SEVEN YEAR PARTS AND FIVE YEAR LABOR  
LIFESPAN 100,000 HOURS

MEASURED AT 3500K

## ORDERING OPTIONS

Series	Form Factor	Wattage	Color Temp	Voltage	Dimming	Backup	Controls
T1-VUTLED	4/	MW54	-MCCT				
T1-VUTLED	4 4" 8 8"	4" MW38 38W MW46 46W MW54 54W 8" MW65 65W MW75 75W MW90 90W	-MCCT 3500K 4000K 5000K	[BLANK] 120-277V	[BLANK] 0-10V	[BLANK] EM None Emergency Battery Backup	[BLANK] MS None Motion Sensor

## DIMENSIONS



## INSTALLATION

### WARNING

- To reduce the risk of death, personal injury or property damage from fire, electrical shock, falling parts, cuts/abrasions and other hazards read all warnings and instructions included with and on the fixture box and all fixture labels.
- Before installing, servicing, or performing routine maintenance upon this equipment, follow these general precautions.
- Commercial installation, service and maintenance of luminaires should be performed by a qualified licensed electrician.
- For the installations: If you are unsure about the installations or maintenance of the luminaires, consult a qualified licensed electrician and check your local electrical code.
- The National Electric code (NEC) does not permit cords to be concealed where damaged to the cord's insulation may go unnoticed. To prevent fire damage, do not run cord behind walls, ceilings, soffts, or cabinets where it may be inaccessible for examination. Cords should be visually examined periodically and immediately replaced when any damage is noted.
- To prevent wiring damage or abrasion, do not expose wiring to edges or sheet metal or other sharp objects.
- Do not make or alter any open holes in enclosures of wiring or electrical components during kit installation.
- Turn off electrical power at fuse or circuit breaker box before wiring fixture to power supply.
- Turn off the power when you perform any maintenance. Fixture may become hot during operation and fixture to cool down before performing any maintenance.
- Verify that supply voltage is correct by comparing it with the luminaire label information. Do not exceed the normal supply voltage or amperage ratings,
- All wiring connections should be capped with UL approved wire connectors.

### CAUTION

- Avoid direct eye exposure to the light source while it is on.
- Account for small parts and before destroy packing material, as they may be hazardous to children.
- Risk of burn. Disconnect power and allow fixture to cool before changing bulb or handling fixture.

**NOTICE: Green ground screw provided in proper location. Do not relocate.**

**NOTICE: Minimum 90 supply conductors.**

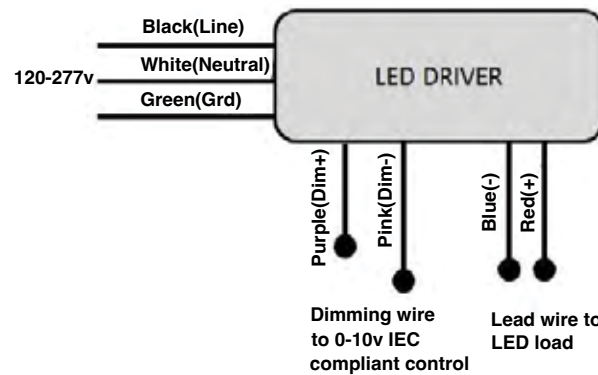
**NOTICE: Specifications and dimensions subject to change without notice.**

**NOTICE: Suitable to dry damp location.**

**ALWAYS TURN OFF THE POWER SUPPLY FROM MAIN CIRCUIT BREAKER FIRST!:**

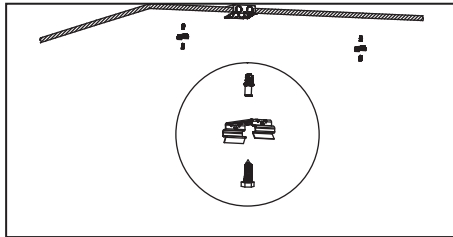
## INSTALLATION

### General Wiring Diagram

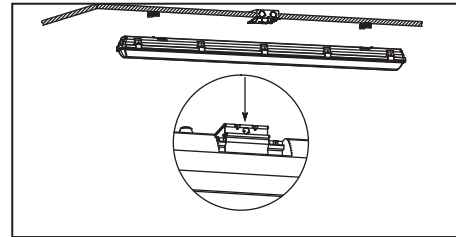


### Surface Mounting

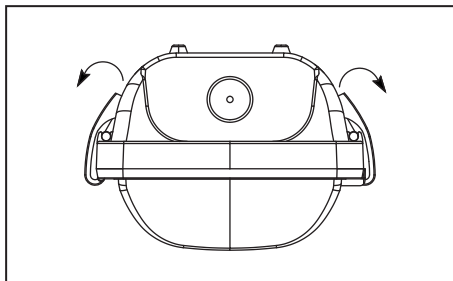
1. Locate drill holes for mounting brackets. Use hardware found in hardware kit. Mount bracket to surface.



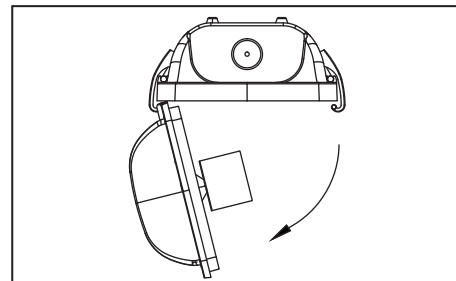
2. Secure mounting clips to housing recesses by firmly pressing them into place until both sides of the clip are secured.



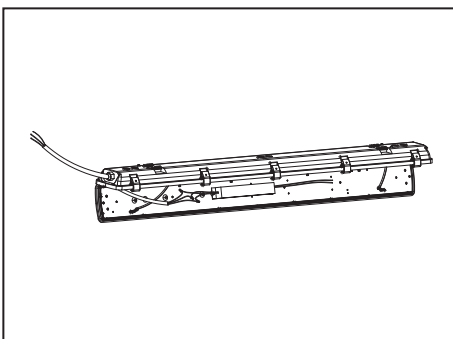
3. Release latches by pulling top of latch away from housing.



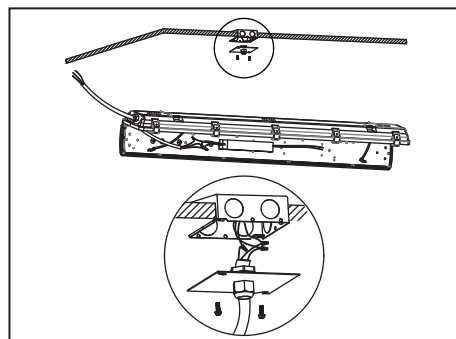
4. Without touching LED boards, detach LED tray and lens from fixture.



5. Connect power to driver as shown in the figure. (The flexible cord supplied by others)

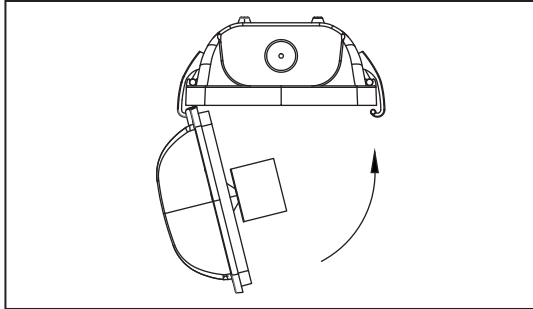


6. Follow general wiring Diagram on Figure for reference. Make sure the power supply is disconnected before installing.

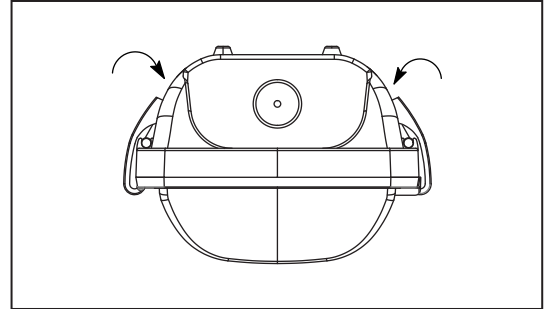


## INSTALLATION

7. Reattach LED tray and lens to fixture by reversing step 4.

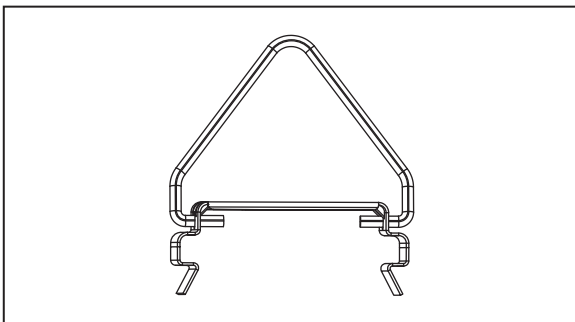


8. Secure lens to housing with lens latches.

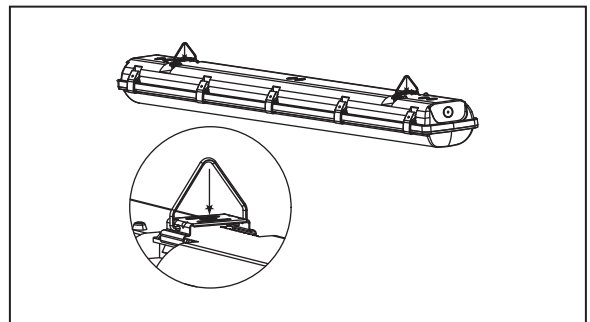


## Chain Suspended Mounting

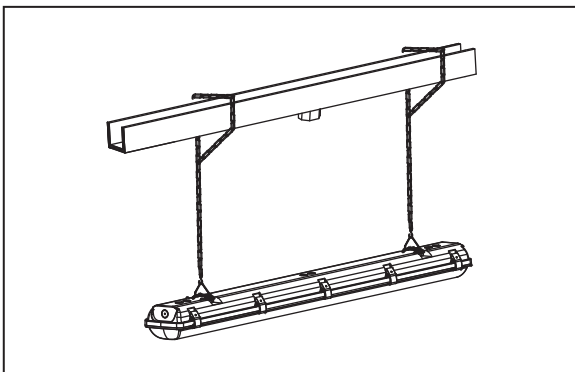
1. Attach V-bracket to each mounting clip by spreading the ends of the V-bracket apart and then inserting the legs into the holes in the side of the mounting clips.



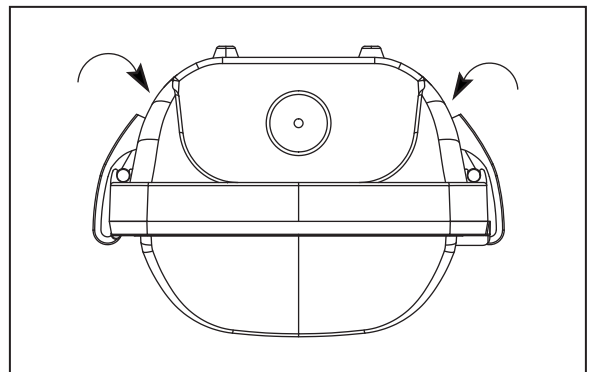
2. Secure mounting clips to housing recesses by firmly pressing them into place until both sides of the clip are secured. Hang fixture from customer supplied chain using V-brackets.



3. Hang fixture from customer supplied chain using V-brackets.

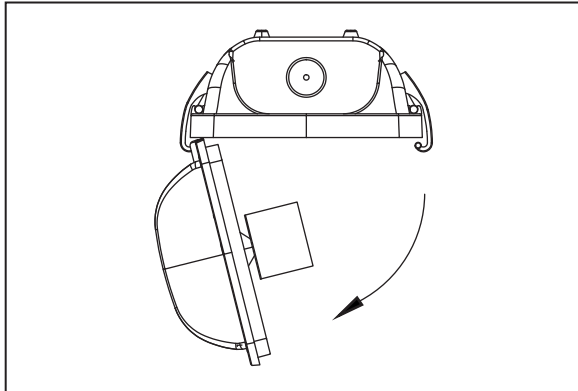


4. Release latches by pulling top of latch away from housing

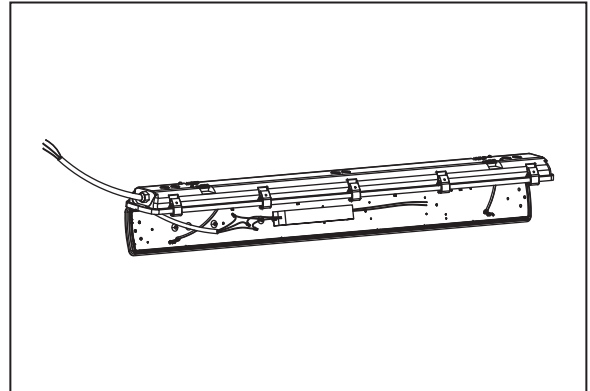


## INSTALLATION

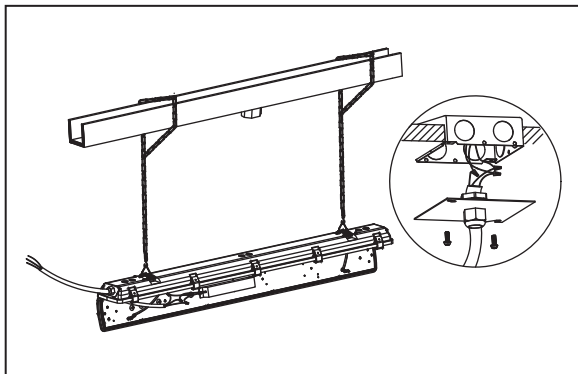
5. Without touching LED boards, detach LED tray and lens from fixture.



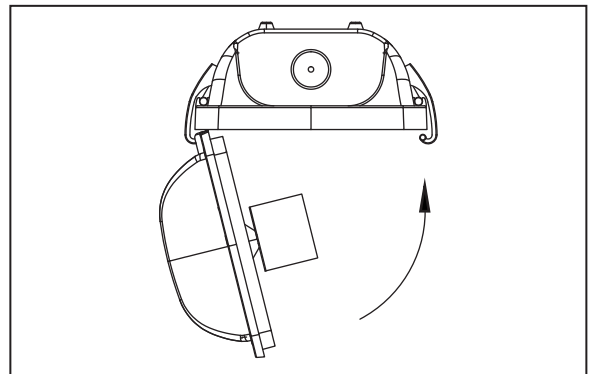
6. Connect power to driver as shown in the figure.  
(The flexible cord supplied by others)



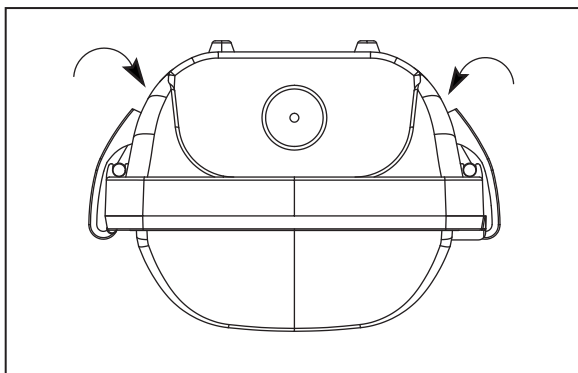
7. Follow general wiring Diagram on Figure for reference.  
Make sure the power supply is disconnected before installing.



8. Reattach LED tray and lens to fixture by reversing step 5.



9. Secure lens to housing with lens latches.

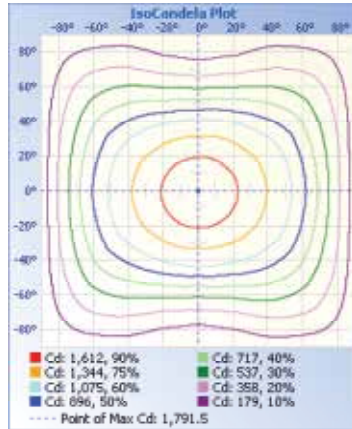
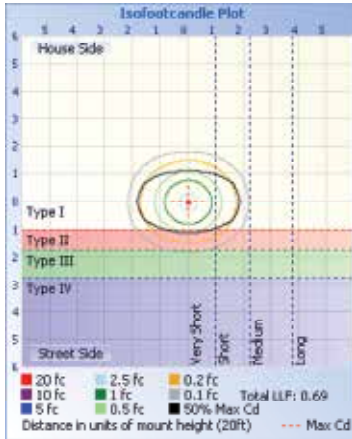




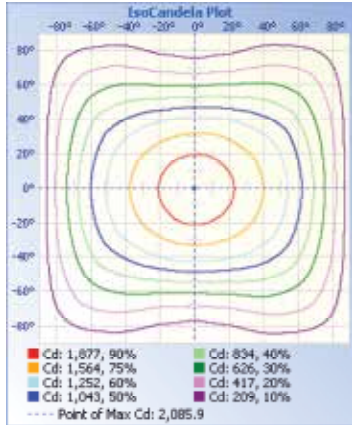
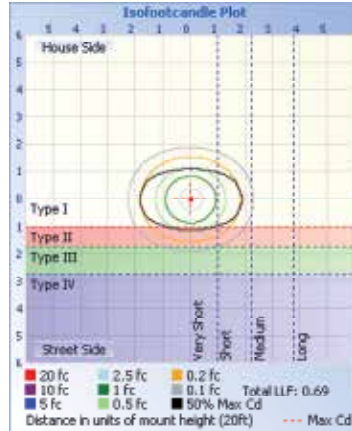
T-1 LIGHTING

VUE  
VAPOR TIGHT SERIES  
T1-VUTLED

PHOTOMETRIC DATA  
T1-VUTLED4/MW54-MCCT  
38W



46W



50W

