



T-1 LIGHTING

Project	Catalog #
Distributor	Type
Prepared by	Date

VIPER VAPOR TIGHT HIGH BAY SERIES T1-VPTHBLED

The **Viper Series** is our new type of high bay that has IP65 and IK10-rating. You get the best of both worlds –a high bay and a vapor tight! It is IP65-rated which means it is dust-tight and waterproof. It is also rated IK10. It ensures protection against 20 joules impact which is equivalent to impact of 5kg mass dropped from 400mm above impacted surface. This series is particularly ideal for food and beverage factories, refrigerated storage rooms, underground parking and tunnels. The **Viper Series** has the field adjustable multi-watt, multi-color dip switch on the driver that allows you to change the wattage and color temperature according to your project's needs.



SPEC

Model Number	Input Power	Color Temp	Input Voltage	Lumens	Efficacy	Temp	CRI	IP
T1-VPTHBLED/MW135-MCCT	Multi Watt 100/115/135W	MCCT	120-277V	16000	160	-20°C ~ +50°C -4°F ~ +122°F	>80	Damp Locations IP66 IK10
				18400				
				21600				
T1-VPTHBLED/MW200-MCCT	Multi Watt 155/185/200W	MCCT	120-277V	24800	160	-20°C ~ +50°C -4°F ~ +122°F	>80	Damp Locations IP66 IK10
				29600				
				32000				

WARRANTY: SEVEN YEAR PARTS AND FIVE YEAR LABOR

LIFESPAN: 100,000 HOURS

ORDERING OPTIONS

Series	Form Factor	Wattage	Color Temp	Voltage	Dimming	Backup	Controls
T1-VPTHBLED	4/	MW135	-MCCT				
T1-VPTHBLED	4 2'X4'	135 MW135 100W 115W 135W 200 MW200 155W 185W 200W	-MCCT 3500K 4000K 5000K	[BLANK] 120-277V	[BLANK] 0-10V	[BLANK] None EM Emergency Battery Backup	[BLANK] None MS Motion Sensor

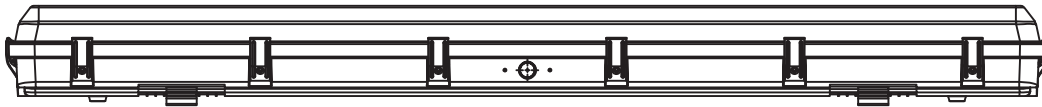
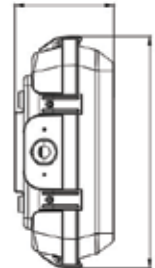
DIMENSIONS

Unit: inch(mm)

47.5(1206.5)

4.5(115.0)

10.5(266.3)



INSTALLATION

⚠ WARNING

- To reduce the risk of death, personal injury or property damage from fire, electrical shock, falling parts, cuts/abrasions and other hazards read all warnings and instructions included with and on the fixture box and all fixture labels.
- Before installing, servicing, or performing routine maintenance upon this equipment, follow these general precautions.
- Commercial installation, service and maintenance of luminaires should be performed by a qualified licensed electrician.
- For the installations: If you are unsure about the installations or maintenance of the luminaires, consult a qualified licensed electrician and check your local electrical code.
- To prevent wiring damage or abrasion, do not expose wiring to edges or sheet metal or other sharp objects.
- Do not make or alter any open holes in enclosures of wiring or electrical components during kit installation.
- Turn off electrical power at fuse or circuit breaker box before wiring fixture to power supply.
- Turn off the power when you perform any maintenance.
- Verify that supply voltage is correct by comparing it with the luminaire label information.
- All wiring connections should be capped with UL approved wire connectors.

⚠ CAUTION

- Avoid direct eye exposure to the light source while it is on.
- Account for small parts and before destroy packing material, as they may be hazardous to children.
- Risk of burn. Disconnect power and allow fixture to cool before changing bulb or handling fixture.

NOTICE: Green ground screw provided in proper location. Do not relocate.

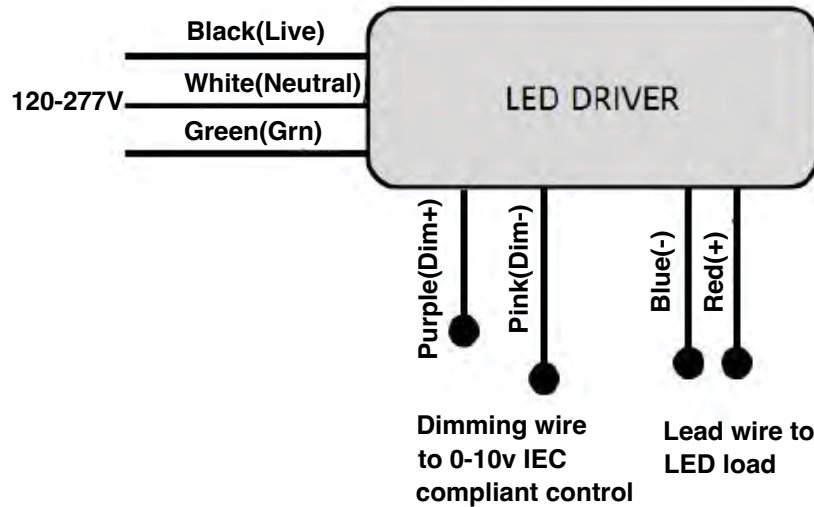
NOTICE: Minimum 90 supply conductors.

NOTICE: Specifications and dimensions subject to change without notice.

NOTICE: Suitable to dry damp location.

INSTALLATION

General Wiring Diagram

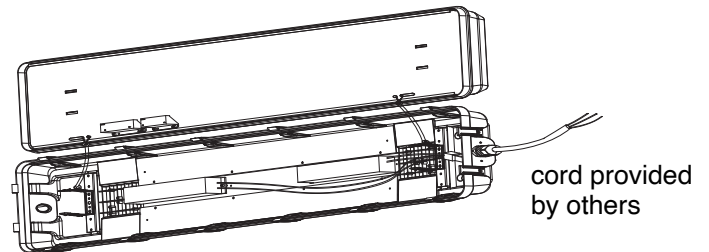


Instructions:

Always turn off the power supply from main circuit breaker first!

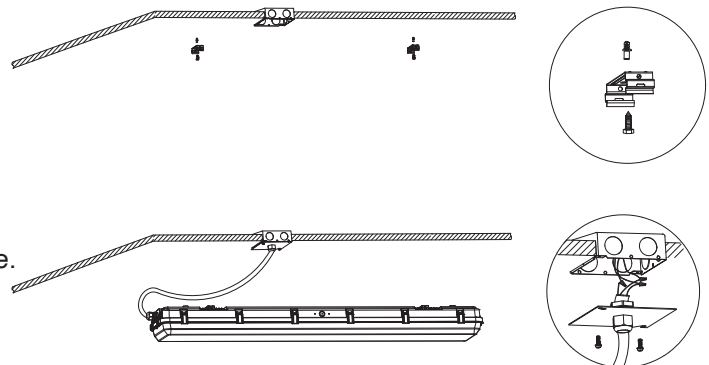
Before installation

1. Take out the fixture and installation kit from the packaging, inspect for any damages.
2. Remove lens and LED module board.
3. Pass the cord through the waterproof strain relief and fix the combination to the fixture through the reserved knockout.
4. Connect the cord to the input of the driver and reattach the LED module board and lens.



Surface Mounting

1. Locate drill holes for mounting brackets. Use hardware found in hardware kit. Mount bracket to the mounting surface.
2. Push housing into Surface Mounting Brackets. Ensure that the housing is secure to the brackets.
3. Use appropriate UL approved wire connectors as required by code to complete wiring with main power as shown in the figure. If outdoor surface is irregular, use caulk to seal any gaps around Housing.





T-1 LIGHTING

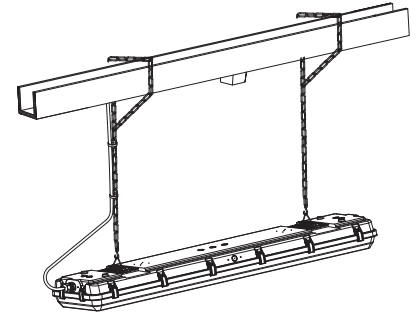
VIPER VAPOR TIGHT HIGH BAY SERIES T1-VPTHBLED

INSTALLATION

Instructions - cont:

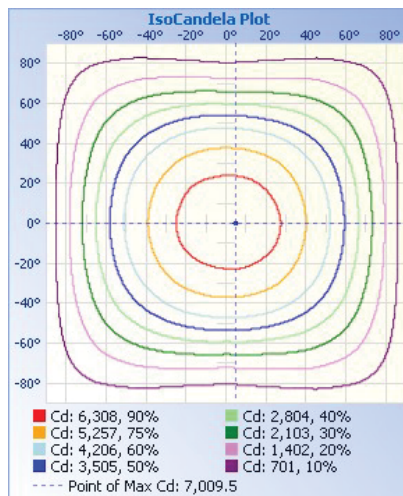
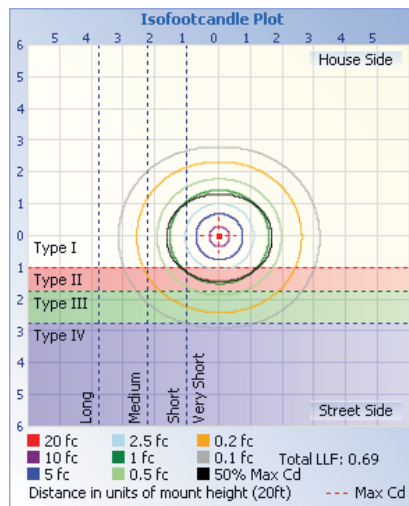
Suspending Mounting

1. Secure Surface Mounting Brackets to Housing as shown and loop V-Hooks (included) on the brackets.
2. To suspend Housing, connect each V-Hook to two equal lengths of chain (not supplied) and/or appropriate hardware (by others) suitable for mounting surface.
3. Use appropriate UL approved wire connectors as required by code to complete wiring with main power.



PHOTOMETRIC DATA

Photometric Data T1-VPTHBLED/MW135-MCCT

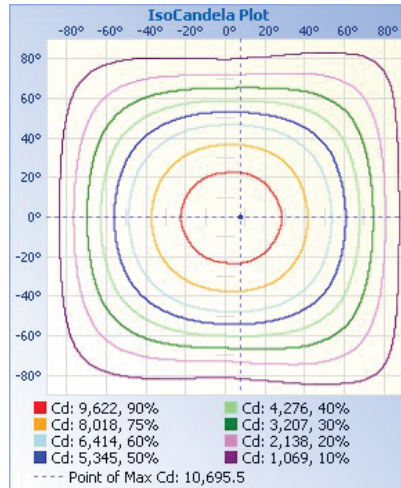
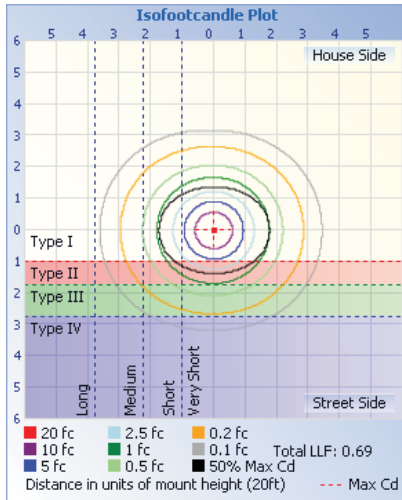


	Center Beam fc		Beam Width	
17.0ft	24.2 fc	46.2 ft	56.2 ft	
34.0ft	6.04 fc	92.4 ft	112.3 ft	
51.0ft	2.69 fc	138.6 ft	168.5 ft	
68.0ft	1.51 fc	184.7 ft	224.6 ft	
85.0ft	0.97 fc	230.9 ft	280.8 ft	
102.0ft	0.67 fc	277.1 ft	337.0 ft	

■ Vert. Spread: 107.3°
 ■ Horiz. Spread: 117.6°

PHOTOMETRIC DATA - CONT

Photometric Data T1-VPTHBLED/MW135-MCCT



Illuminance at a Distance

	Center Beam fc	Beam Width	
17.0ft	36.8 fc	46.2 ft	55.4 ft
34.0ft	9.20 fc	92.4 ft	110.7 ft
51.0ft	4.09 fc	138.6 ft	166.1 ft
68.0ft	2.30 fc	184.8 ft	221.5 ft
85.0ft	1.47 fc	231.0 ft	276.9 ft
102.0ft	1.02 fc	277.2 ft	332.2 ft

■ Vert. Spread: 107.3°
■ Horiz. Spread: 116.9°