



T-1 LIGHTING

Project	Catalog #
Distributor	Type
Prepared by	Date

STYLER STRIP RETROFIT SERIES T1-STY-RTFK

The **Styler Series** is our strip retrofit light with revolutionary multi-watt and multi-CCT feature. The field adjustable multi-watt, multi-color dip switch on the driver allows you to change the wattage and color temperature according to your project's needs. This series comes in 4-foot and 8-foot packages. Made to last with tough 22 gauge metal housing, this fixture is complemented by clean aesthetics—white matte finish and a smooth PC cover lens. It is a retrofit fixture that is mounted on the surface but it can also be suspended using hooks and aircraft cables. Its flat and simple endcap design allows easy install/removal of the lens. Brackets and screws are included for replacement. The **Styler Series** is ideal for parking lots, supermarkets, corridors, retail spaces and warehouses. Suitable for damp locations and a lifespan 100,000 hours.



SPEC

Model Number	Input Power	Color Temp	Input Voltage	Lumens	Efficacy	Temp	CRI	IP
T1-STY-RTFK4/MW45-MCCT	Multi Watt 34/38/45W	MCCT	120-277V	4250 - 4750 - 5625	125	-40°C ~ +40°C -40°F ~ +104°F	>82	Damp Locations
T1-STY-RTFK8/MW90-MCCT	Multi Watt 65/75/90W			8125 - 9375 - 11250				

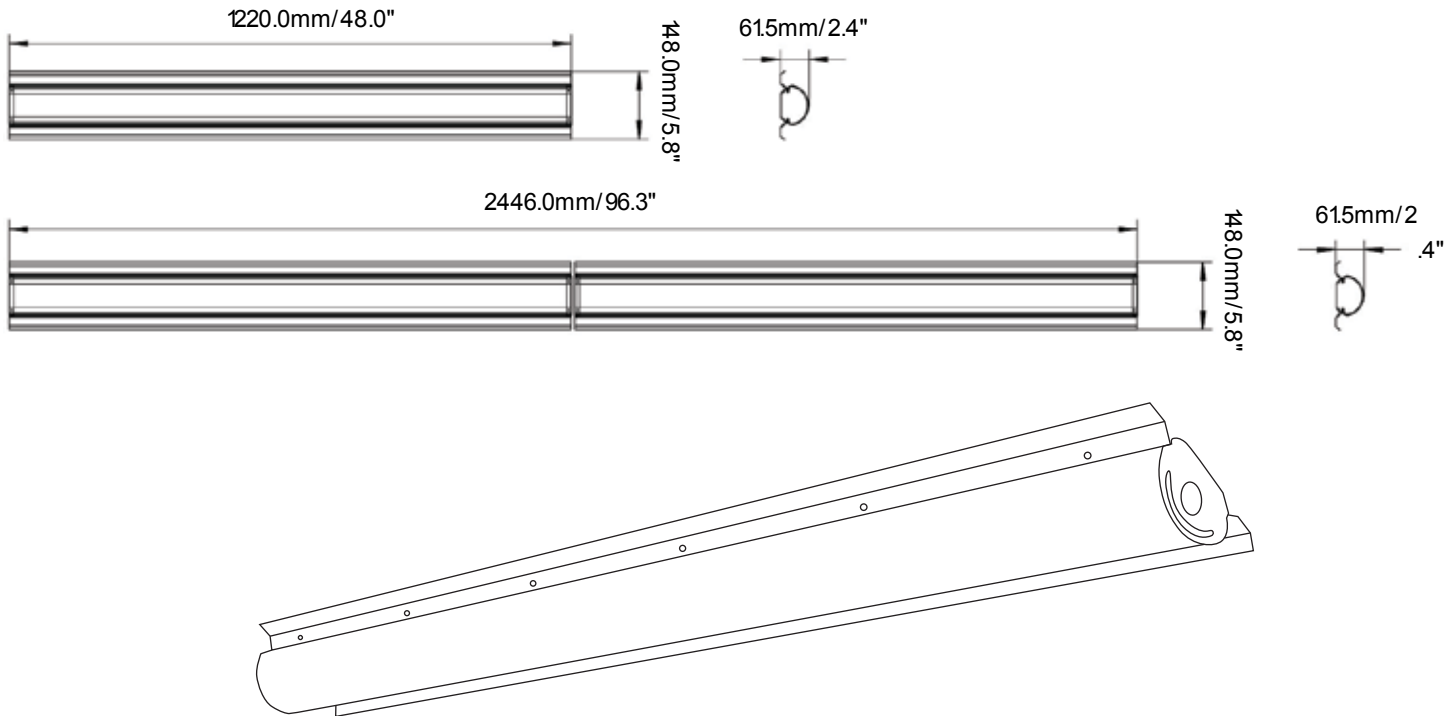
WARRANTY: SEVEN YEAR PARTS FIVE YEAR LABOR
LIFESPAN 100,000 HOURS

MEASURED AT 3500K

ORDERING OPTIONS

Series	Form Factor	Wattage	Color Temp	Voltage	Dimming	Backup	Controls
T1-STY-RTFK	4/	MW45	-MCCT			-EM	-MS
T1-STY-RTFK	4 4' 8 8'	4' MW34 34W MW38 38W MW45 45W 8' MW65 65W MW75 75W MW90 90W	-MCCT 3500K 4000K 5000K	[BLANK] 120-277V	[BLANK] 0-10V	[BLANK] EM None Emergency Battery Backup	[BLANK] MS None Motion Sensor

DIMENSIONS



INSTALLATION

WARNING

- To reduce the risk of death, personal injury or property damage from fire, electrical shock, falling parts, cuts/abrasions and other hazards read all warnings and instructions included with and on the fixture box and all fixture labels.
- Before installing, servicing, or performing routine maintenance upon this equipment, follow these general precautions.
- Commercial installation, service and maintenance of luminaires should be performed by a qualified licensed electrician.
- For the installations: If you are unsure about the installations or maintenance of the luminaires, consult a qualified licensed electrician and check your local electrical code.
- The National Electric code (NEC) does not permit cords to be concealed where damaged to the cord's insulation may go unnoticed. To prevent fire damage, do not run cord behind walls, ceilings, soffits, or cabinets where it may be inaccessible for examination. Cords should be visually examined periodically and immediately replaced when any damage is noted.
- To prevent wiring damage or abrasion, do not expose wiring to edges or sheet metal or other sharp objects.
- Do not make or alter any open holes in enclosures of wiring or electrical components during kit installation.
- Turn off electrical power at fuse or circuit breaker box before wiring fixture to power supply.
- Turn off the power when you perform any maintenance. Fixture may become hot during operation and fixture to cool down before performing any maintenance.
- Verify that supply voltage is correct by comparing it with the luminaire label information. Do not exceed the normal supply voltage or amperage ratings,
- All wiring connections should be capped with UL approved wire connectors.

INSTALLATION - CONT

⚠ CAUTION

- Avoid direct eye exposure to the light source while it is on.
- Account for small parts and before destroy packing material, as they may be hazardous to children.
- Risk of burn. Disconnect power and allow fixture to cool before changing bulb or handling fixture.

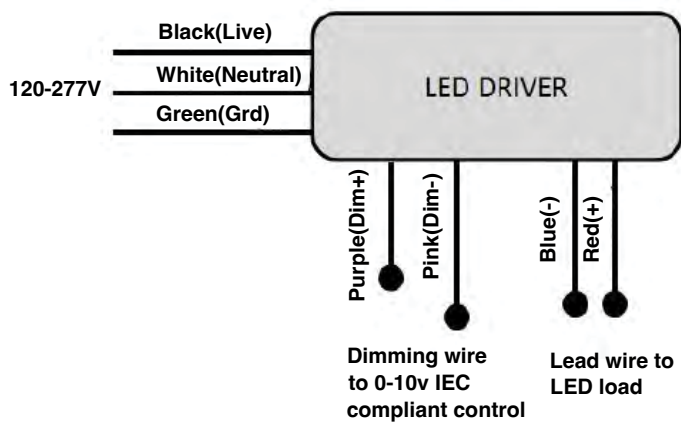
NOTICE: Green ground screw provided in proper location. Do not relocate.

NOTICE: Minimum 90 supply conductors.

NOTICE: Specifications and dimensions subject to change without notice.

NOTICE: Suitable to dry damp location.

General Wiring Diagram

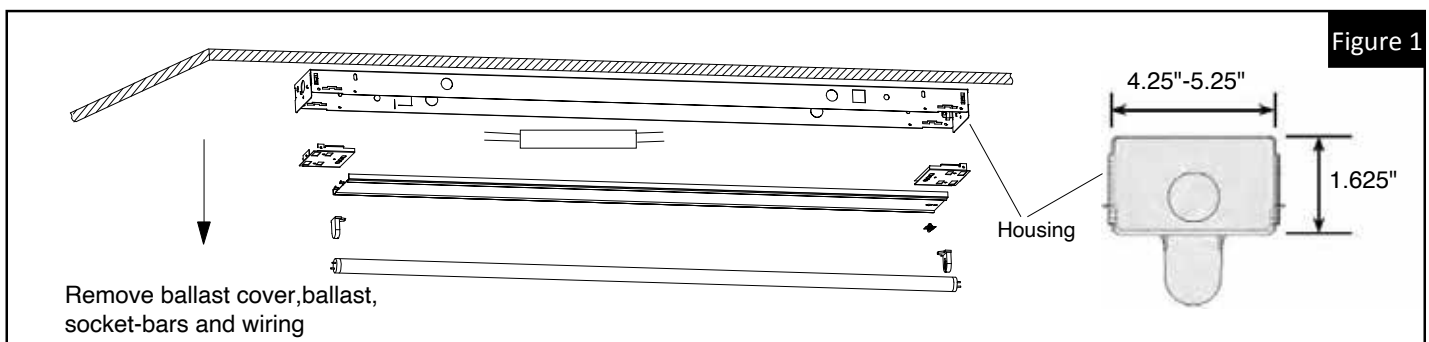


Component Summary

Part	Qty.
Retrofit housing	1
Installation Bracket	2
Installation instruction	1
Lens	1
Label	1

Installation Steps:

1. Shut off power to existing fixture. Disconnect the black and the white power supply wire to existing ballast.
2. Remove and discard the host fixture lamp(s).(Figure 1)
3. Remove ballast cover,ballast,socket-bars and wiring.(Figure 1)
4. Install brackets on both sides of the existing fixture housing.(Figure 2)
5. Make electrical connections.(Figure 3)
6. Install LED retrofit assembly.(Figure 3)
7. Install the lens.(Figure 3)
8. Electrically activate the fixture.(Figure 4)

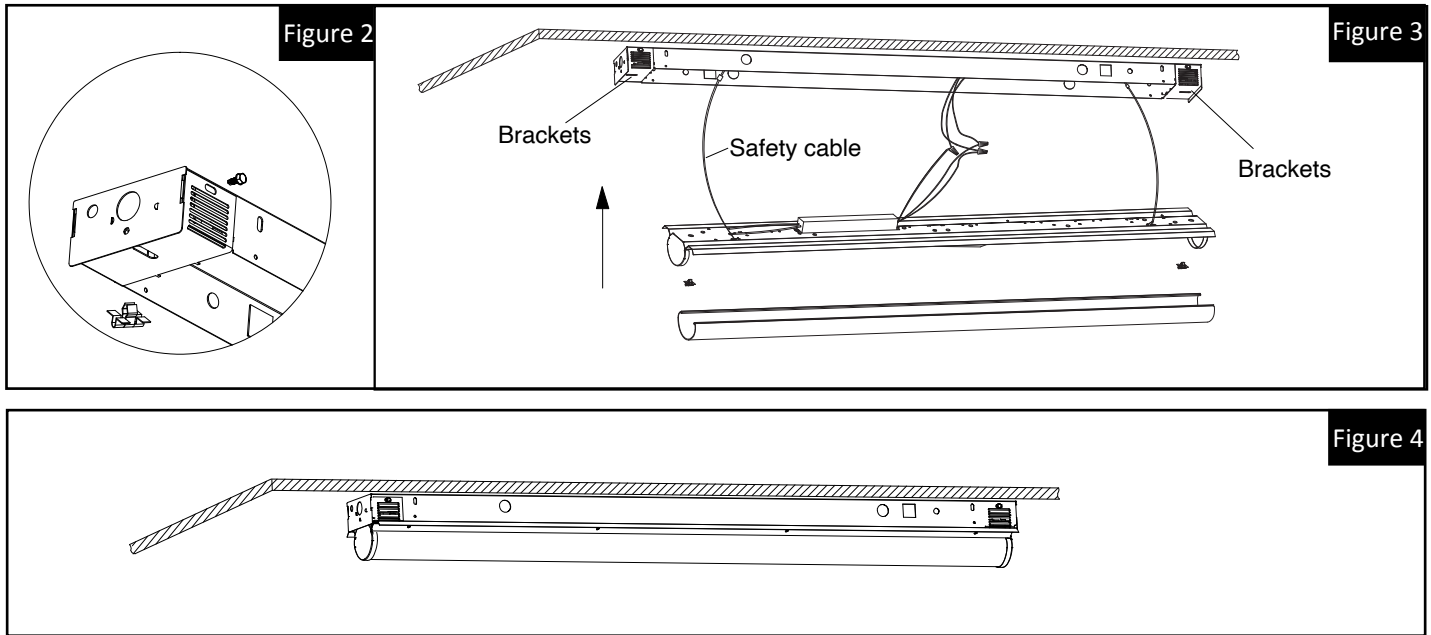




T-1 LIGHTING

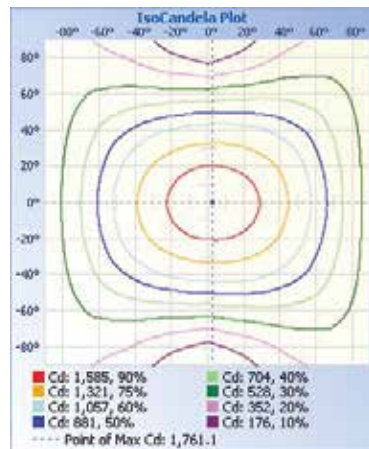
STYLER STRIP RETROFIT SERIES T1-STY-RTFK

INSTALLATION - CONT



PHOTOMETRIC DATA

Photometric Data T1-STY-RTFK (4ft and 8ft)



Center Beam fc	Beam Width	
	Center Beam fc	Beam Width
17.0ft	6.09 fc	40.5 ft 60.9 ft
34.0ft	1.52 fc	81.0 ft 137.7 ft
51.0ft	0.68 fc	121.4 ft 206.6 ft
68.0ft	0.38 fc	161.9 ft 275.4 ft
85.0ft	0.24 fc	202.4 ft 344.3 ft
102.0ft	0.17 fc	242.9 ft 413.1 ft

■ Vert. Spread: 99.9°
 ■ Horiz. Spread: 127.4°