



T-1 LIGHTING



Project	Catalog #
Distributor	Type
Prepared by	Date

BASQUE CENTER BASKET SERIES T1-CBLED

The Basque Series is a new generation of center baskets with revolutionary multi-watt and multi-CCT technology. The field adjustable multi-watt, multi-color dip switch on the driver allows you to change the wattage and color temperature according to your project's needs. This series comes in 2' x 2', and 2' x 4' packages. With a slimmer construction, the entire fixture functions as a heat sink to keep the LED chips cooler, thus prolonging the life of the light. V-hooks and J-adapters are included. Suitable for damp locations lifespan 100,000 hours.



SPEC

Model Number	Input Power	Color Temp	Input Voltage	Lumens	Efficacy	Temp	CRI	IP
T1-CBLED14/MW30-MCCT	Multi Watt 20/25/30W	MCCT	120-277V	2560 - 3200 - 3840	128	-20°C ~ +50°C -4°F ~ +122°F	>82	Damp Location
T1-CBLED22/MW30-MCCT	Multi Watt 20/25/30W			2560 - 3200 - 3840	128			
T1-CBLED24/MW50-MCCT	Multi Watt 34/42/50W			4250 - 5250 - 6250	125			

WARRANTY: SEVEN YEAR PARTS AND FIVE YEAR LABOR
LIFESPAN: 100,000 HOURS

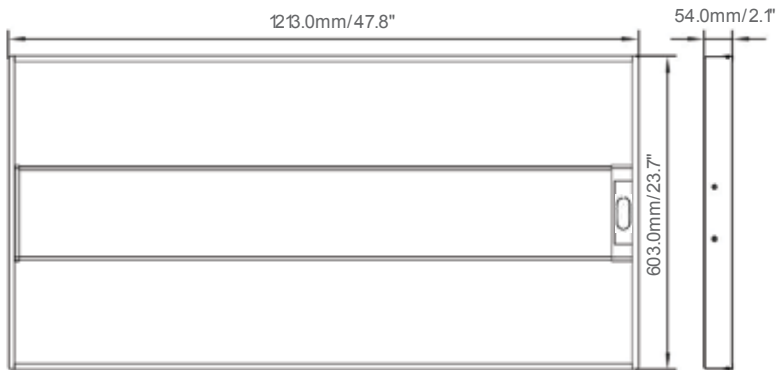
MEASURED AT 3500K

ORDERING OPTIONS

Series	Form Factor	Wattage	Color Temp	Voltage	Dimming	Backup	Controls
T1-CPLED	14/	MW30	-MCCT			-EM	-MS
T1-CPLED	14 1'X4' 22 2'X2' 24 2'X4'	14 MW20 20W MW25 25W MW30 30W 22 MW20 20W MW25 25W MW30 30W 24 MW34 34W MW42 42W MW50 50W	-MCCT 3500K 4000K 5000K	[BLANK] 120-277V	[BLANK] 0-10V	[BLANK] EM None Emergency Battery Backup	[BLANK] None Motion Sensor

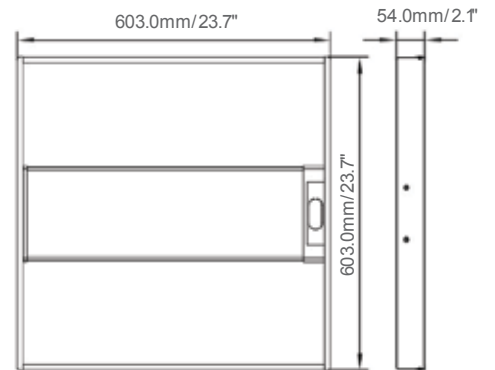
DIMENSIONS

2x4



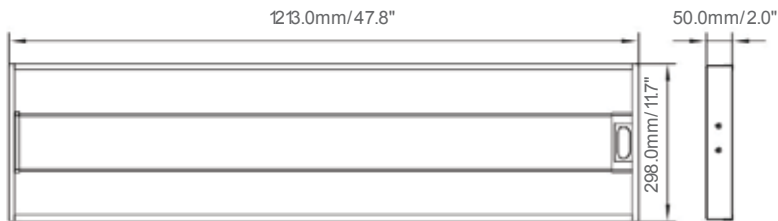
Product Weight : 5.19Kg/11.44lb

2x2



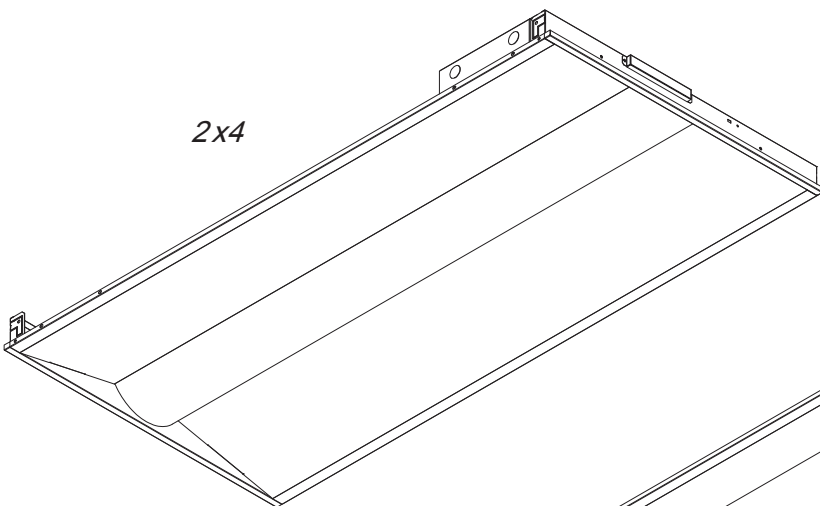
Product Weight : 3.10Kg/6.83lb

1x4

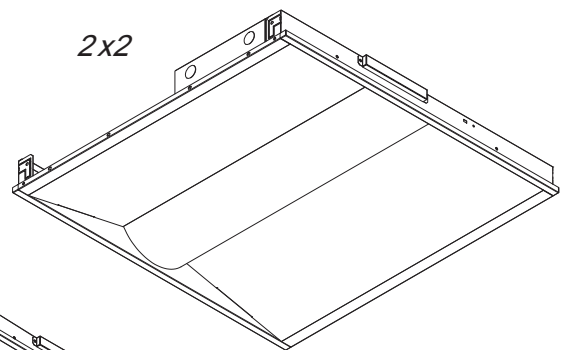


Product Weight : 3.50Kg/7.72lb

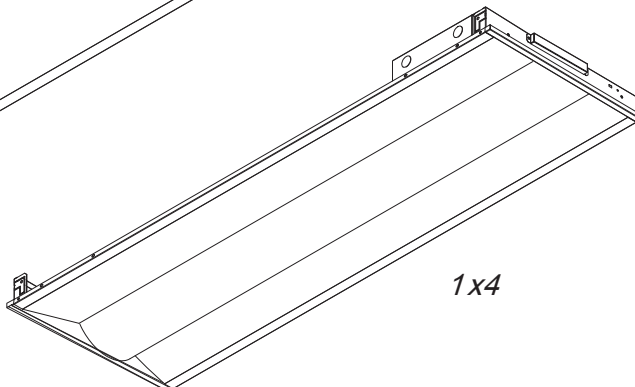
2x4



2x2

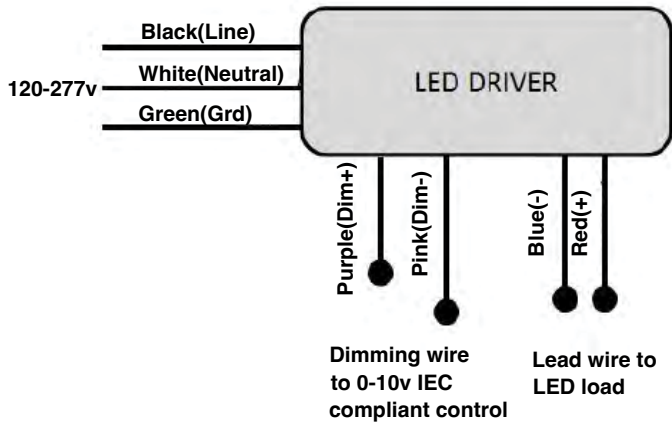


1x4



INSTALLATION

General Wiring Diagram



Always turn off the power supply from main circuit breaker first!

Figure 1

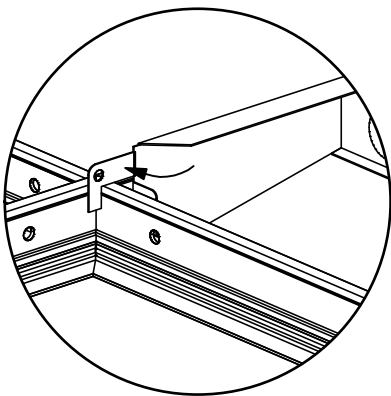


Figure 2

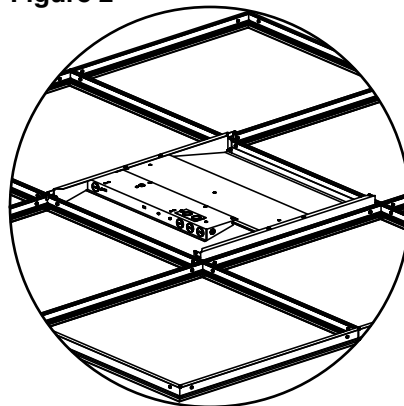


Figure 3

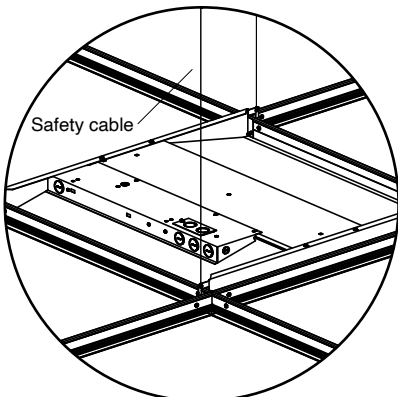
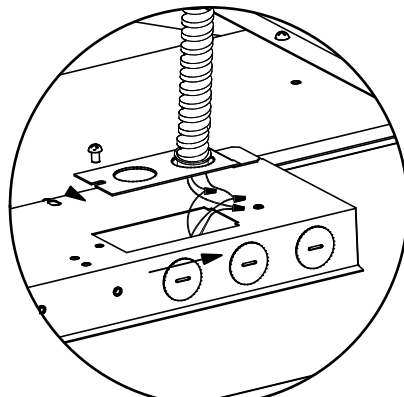


Figure 4



- Figure 1: Bend out mounting tab 90 degrees on each corner.
- Figure 2: Lay fixture into T-gird grid.
- Figure 3: Use hanger wire to tie off appropriately in accordance with local building code.
- Figure 4: Install conduit containing the line, neutral, and ground conductors to the knockout of the cover plate. Make all electrical connections to the fixture. Attach the wiring access cover plate.

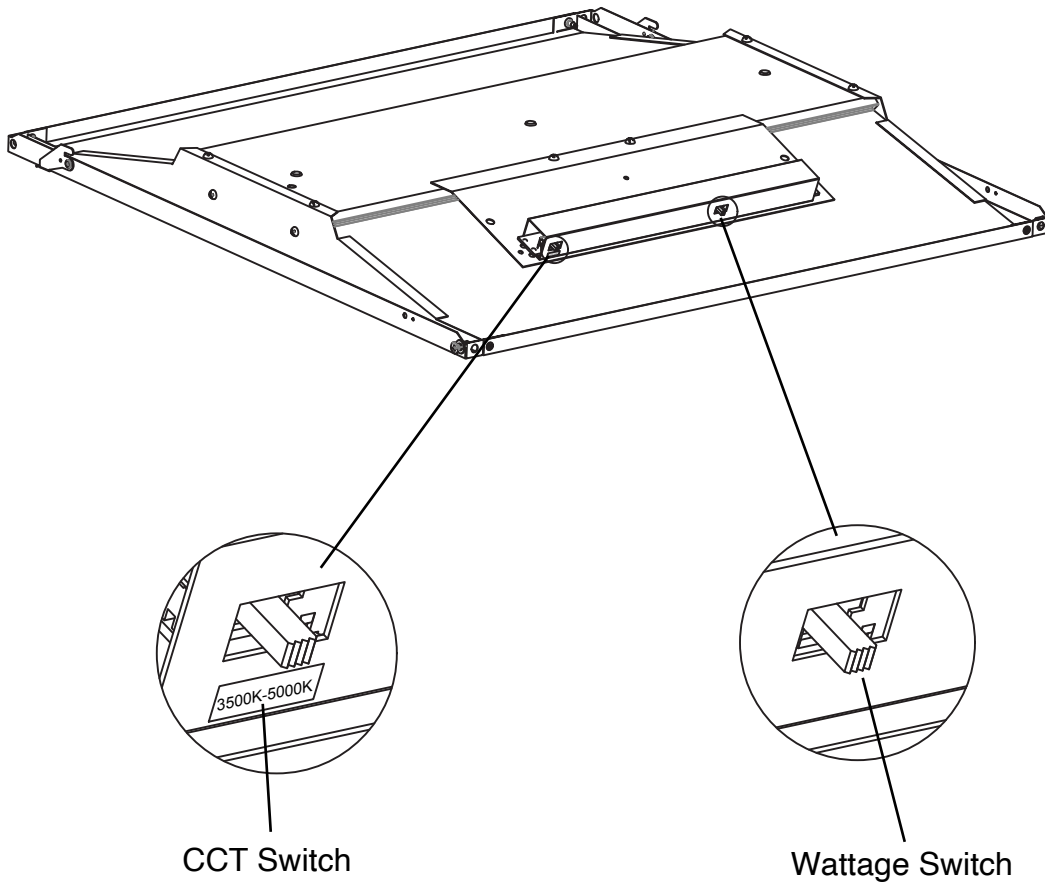


T-1 LIGHTING

BASQUE
CENTER BASKET SERIES
T1-CBLED

INSTALLATION

Field-Adjustable Wattage & CCT



The end users may adjust the color temperature and lumen output respectively by the two DIP switch. Each DIP switch is accommodated with 3 options (left, middle and right), corresponding to 3 color temperatures and 3 powers respectively, which can perform the desired color temperature and lumen output combination.

1. DIP switches are located onto the side of the fixture.
2. Select a wattage and color temperature by sliding switch left or right respectively to the desired value.

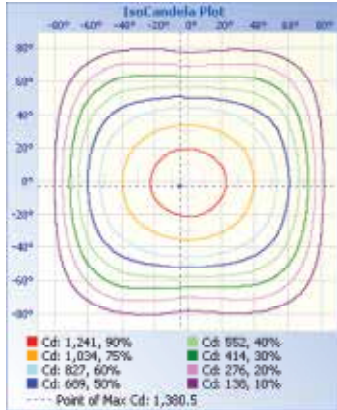
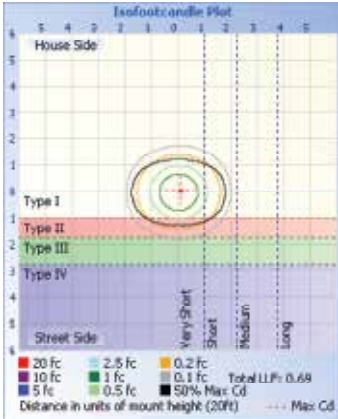


T-1 LIGHTING

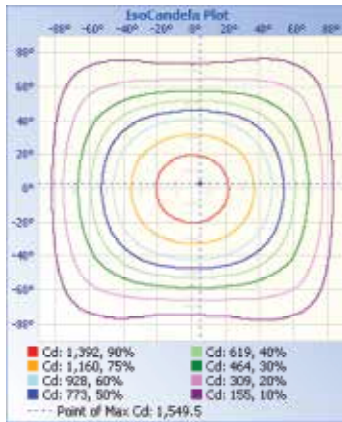
BASQUE CENTER BASKET SERIES T1-CBLED

PHOTOMETRIC DATA

Photometric Data T1-CBLED14/MW30-MCCT



Photometric Data T1-CBLED22/MW30-MCCT



Photometric Data T1-CBLED24/MW50-MCCT

