



T-1 LIGHTING

Project	Catalog #
Distributor	Type
Prepared by	Date

BASQUE RETRO CENTER BASKET RETROFIT SERIES T1-CB-RTFK

The **Basque Retro Series** is a new generation of center baskets with revolutionary multi-watt and multi-CCT technology. The field adjustable multi-watt, multi-color dip switch on the driver allows you to change the wattage and color temperature according to your project's needs. This series comes in 2' x 2', and 2' x 4' packages. With a slimmer construction, the entire fixture functions as a heat sink to keep the LED chips cooler, thus prolonging the life of the light. V-hooks and J-adapters are included. Suitable for damp locations **lifespan 100,000 hours**.



SPEC

Model Number	Input Power	Color Temp	Input Voltage	Lumens	Efficacy	Temp	CRI	IP
T1-CB-RTFK22/MW30-MCCT	Multi Watt 20/25/30W	MCCT	120-277V	2500 - 3125 - 3750	130	-20°C ~ +50°C -4°F ~ +122°F	>82	Damp Locations
T1-CB-RTFK24/MW35-MCCT	Multi Watt 25/30/35W			3125 - 3750 - 4375	125			
T1-CB-RTFK24/MW45-MCCT	Multi Watt 34/38/45W			4250 - 4750 - 5625	125			

WARRANTY: SEVEN YEAR PARTS AND FIVE YEAR LABOR
LIFESPAN 100,000 HOURS

MEASURED AT 3500K

ORDERING OPTIONS

Series	Form Factor	Wattage	Color Temp	Voltage	Dimming	Backup	Controls
T1-CB-RTFK	22/	MW30	-MCCT			-EM	-MS
T1-CB-RTFK	22 2'X2' 24 2'X4'	22 MW20 20W MW25 25W MW30 30W 24 MW34 34W MW38 38W MW45 45W	-MCCT 3500K 4000K 5000K	[BLANK] 120-277V	[BLANK] 0-10V	[BLANK] None EM Emergency Battery Backup	[BLANK] None MS Motion Sensor

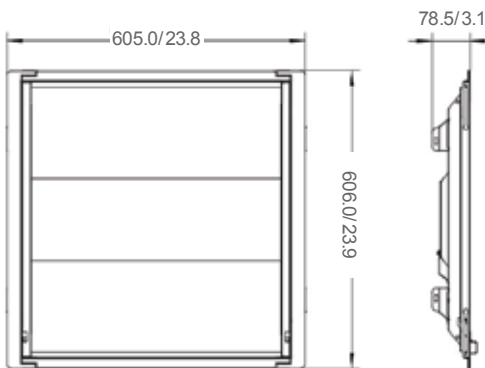


T-1 LIGHTING

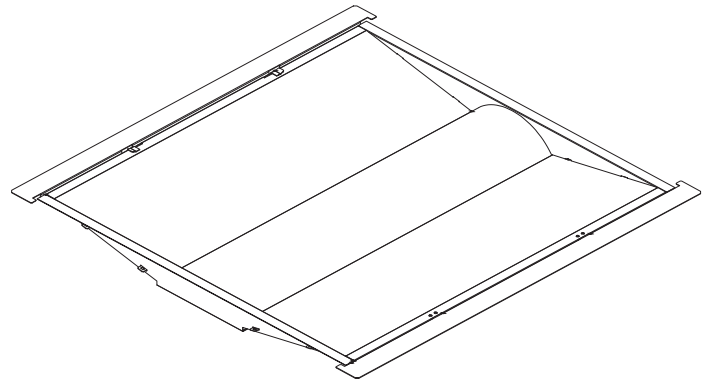
BASQUE RETRO CENTER BASKET RETROFIT SERIES T1-CB-RTFK

DIMENSIONS

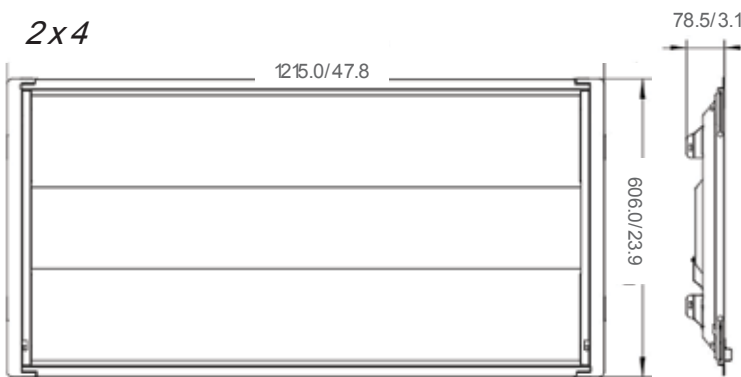
2x2



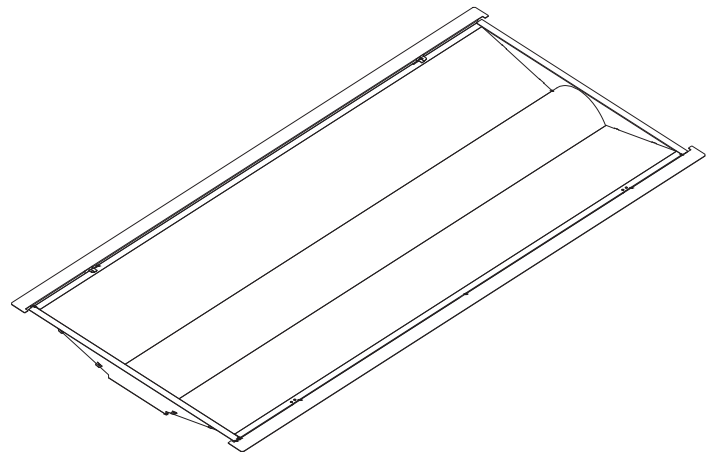
Product Net Weight : 3.93Kg/8.66lb



2x4

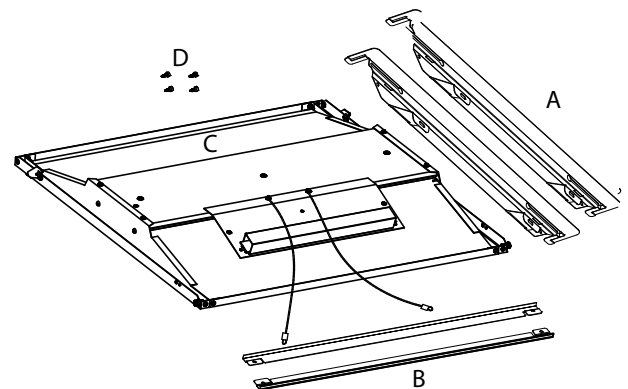
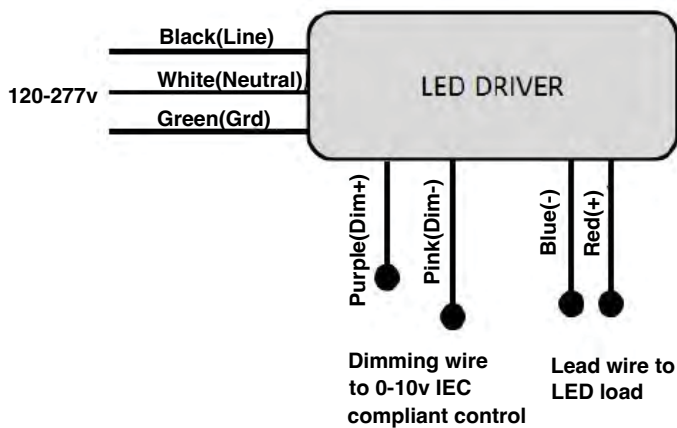


Product Net Weight : 6.36Kg/14.02lb



INSTALLATION

General Wiring Diagram



- A: End Plates 2pcs
- B: Side Plates 2pcs
- C: Door Assembly body 1pc
- D: Self-tapping screws 4pcs

INSTALLATION

NOTICE:

The existing fluorescent luminaries housing shall be larger than dimensions described in below table:

Housing Designation	Overall inner Dimensions
2' x 2'	610 mm by 608 mm by 78 mm high
2' x 4'	1220 mm by 608 mm by 78 mm high
1' x 4'	1220 mm by 305 mm by 100 mm high

Figure 1

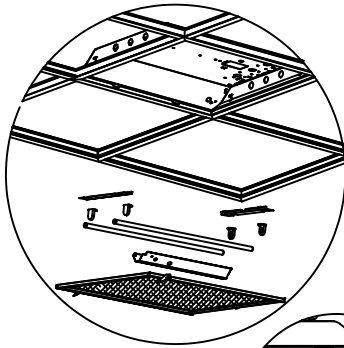


Figure 2

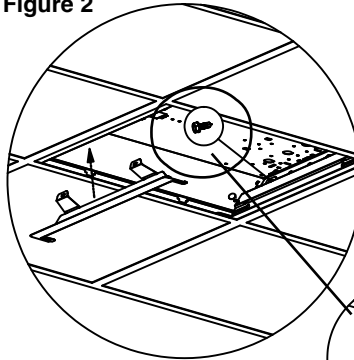


Figure 3

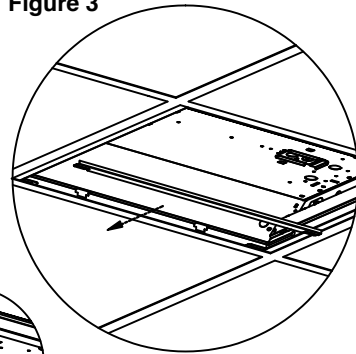


Figure 4

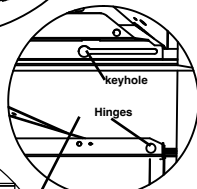
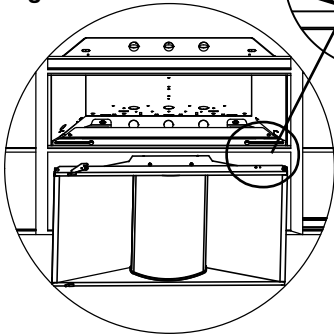
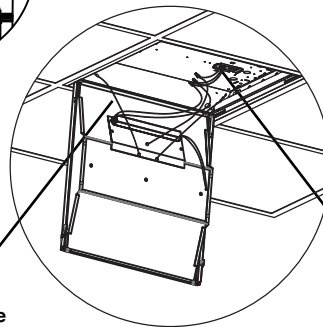


Figure 4A

Figure 5



Safety cable

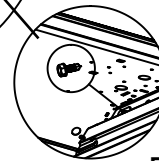


Figure 2A

Figure 6

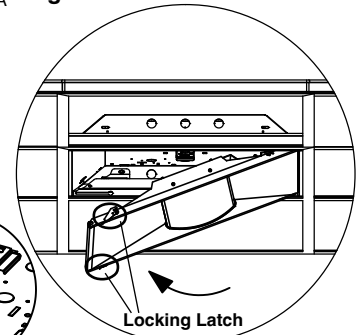


Figure 5A

Locking Latch

- Prior to installation, disconnect all incoming power to fixture. Remove existing hardware (lens/lens frame, parabolic louver, reflectors/ballast covers, brackets, lamps/lamp holders). Leave supply and grounding leads. (Fig. 1)
- NOTE: Follow all federal and local regulations when disposing of lamps and removed components.
- Install LED panel end brackets to each end of the existing fixture by gently lifting it and placing LED panel end brackets between the fixture and T-grid.
- If you are not pleased with the gap between the fixture and T-grid, you may install LED panel side brackets between the fixture and T-grid, there are two tabs to allow for placing the side brackets into the slot of end brackets. (Fig. 2)
- Secure the LED panel brackets to the existing fixture using the provided #8x1/2" self-drilling screws. (Fig. 3)
- Locate the door assembly body onto the keyholes of end brackets, and then slide the door assembly body horizontally to the end of slots. (Fig. 4)
- Hook the safety cables into the holes positioned the end brackets.
- Use the provided wire caps to connect the wire leads of the troffer kits to the main power leads. (Black-Live, White-Neutral, Green-Grounding) (Fig. 5)
- Secure the door assembly body by lock the latches riveted on each end of the assembled door frame. (Fig. 6)



T-1 LIGHTING

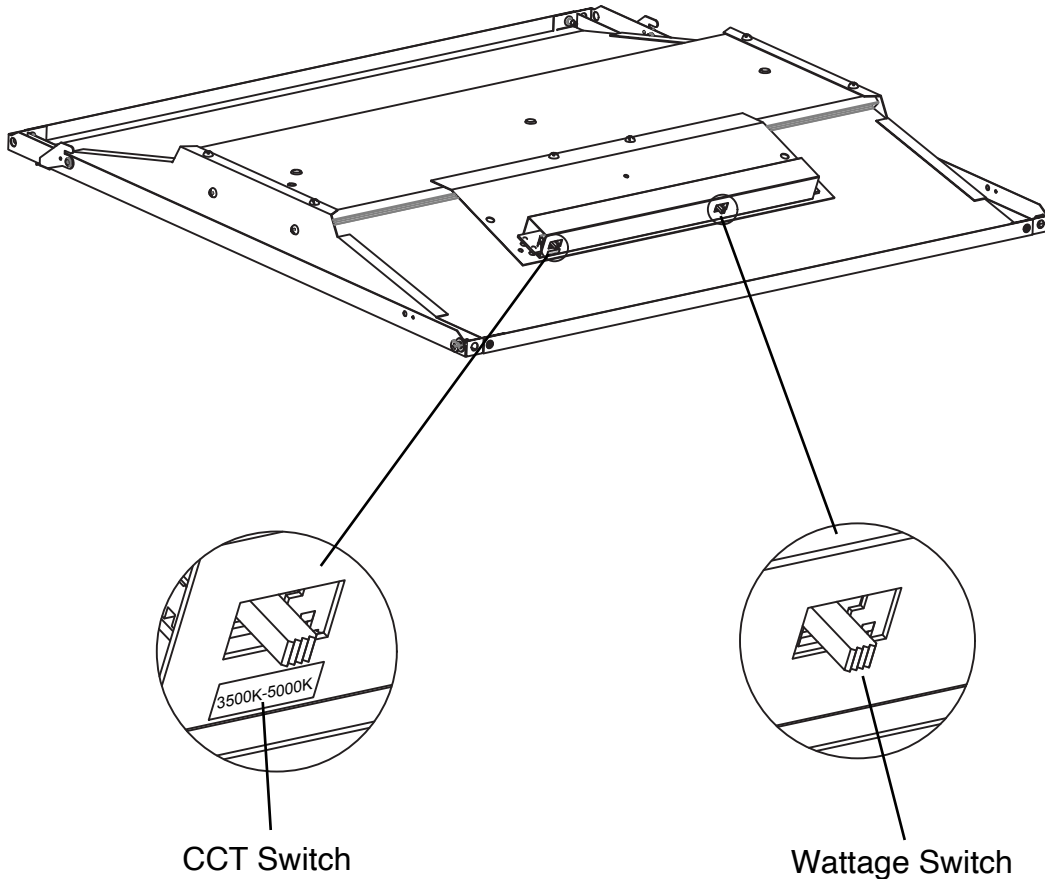
BASQUE RETRO

CENTER BASKET RETROFIT SERIES

T1-CB-RTFK

INSTALLATION

Field-Adjustable Wattage & CCT



The end users may adjust the color temperature and lumen output respectively by the two DIP switch. Each DIP switch is accommodated with 3 options (left, middle and right), corresponding to 3 color temperatures and 3 powers respectively, which can perform the desired color temperature and lumen output combination.

1. DIP switches are located onto the side of the fixture.
2. Select a wattage and color temperature by sliding switch left or right respectively to the desired value.

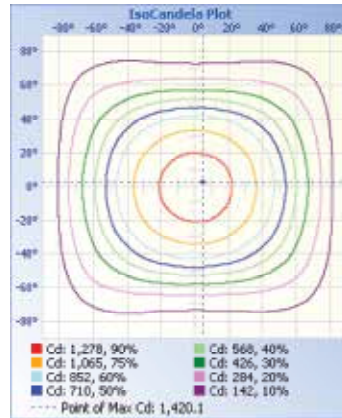


T-1 LIGHTING

BASQUE RETRO CENTER BASKET RETROFIT SERIES T1-CB-RTFK

PHOTOMETRIC DATA

Photometric Data T1-CB-RTFK22/MW30-MCCT



Photometric Data T1-CB-RTFK24/MW45-MCCT

