



Project	Catalog #
Distributor	Type
Prepared by	Date

APOLLO HIGH BAY LED SERIES T1-APHBLED

The Apollo Series is the lighting solution for a wide variety of applications and mounting heights. Precision-designed optics, multiple distributions, and a choice of lumen outputs and color temperatures make the energy-efficient Apollo Series the ideal solution for industrial, commercial and other high bay and low bay applications. Lifespan 100,000 hours.



SPEC

Model Number	Input Power	Color Temp	Input Voltage	Lumens	Efficacy	Temp	CRI	IP																																														
T1-APHBLED/78-XX	78W	40	120-277V	11700	150	-20°C ~ +50°C -4°F ~ +122°F	>80	Damp Location																																														
		50		11778	151				T1-APHBLED/92-XX	92W	40	13800	150	50	13892	151	T1-APHBLED/135-XX	135W	40	20250	150	50	20385	151	T1-APHBLED/185-XX	185W	40	27750	150	50	27935	151	T1-APHBLED/260-XX	260W	40	39000	150	50	39260	151	T1-APHBLED/320-XX	320W	40	48000	150	50	48320	151	T1-APHBLED/425-XX	425W	40	63750	150	50
T1-APHBLED/92-XX	92W	40		13800	150						50	13892	151	T1-APHBLED/135-XX	135W	40			20250	150	50	20385	151	T1-APHBLED/185-XX			185W	40	27750	150	50	27935			151	T1-APHBLED/260-XX	260W	40	39000	150			50	39260	151	T1-APHBLED/320-XX	320W	40			48000	150	50	48320
		50		13892	151				T1-APHBLED/135-XX	135W	40	20250	150			50	20385	151	T1-APHBLED/185-XX	185W	40	27750	150		50	27935		151	T1-APHBLED/260-XX	260W	40	39000	150	50	39260			151	T1-APHBLED/320-XX	320W	40	48000	150	50	48320			151	T1-APHBLED/425-XX	425W	40	63750	150	50
T1-APHBLED/135-XX	135W	40		20250	150						50	20385	151	T1-APHBLED/185-XX	185W	40	27750	150			50	27935	151	T1-APHBLED/260-XX	260W	40	39000	150			50	39260	151	T1-APHBLED/320-XX	320W	40	48000	150			50	48320	151	T1-APHBLED/425-XX	425W	40	63750	150			50	64175	151	
		50		20385	151				T1-APHBLED/185-XX	185W	40	27750	150			50	27935	151	T1-APHBLED/260-XX	260W	40	39000	150			50	39260	151	T1-APHBLED/320-XX	320W	40	48000	150			50	48320	151	T1-APHBLED/425-XX	425W	40	63750	150			50	64175	151						
T1-APHBLED/185-XX	185W	40		27750	150						50	27935	151	T1-APHBLED/260-XX	260W	40	39000	150			50	39260	151	T1-APHBLED/320-XX	320W	40	48000	150			50	48320	151	T1-APHBLED/425-XX	425W	40	63750	150			50	64175	151											
		50		27935	151				T1-APHBLED/260-XX	260W	40	39000	150			50	39260	151	T1-APHBLED/320-XX	320W	40	48000	150			50	48320	151	T1-APHBLED/425-XX	425W	40	63750	150			50	64175	151																
T1-APHBLED/260-XX	260W	40		39000	150						50	39260	151	T1-APHBLED/320-XX	320W	40	48000	150			50	48320	151	T1-APHBLED/425-XX	425W	40	63750	150			50	64175	151																					
		50		39260	151				T1-APHBLED/320-XX	320W	40	48000	150			50	48320	151	T1-APHBLED/425-XX	425W	40	63750	150			50	64175	151																										
T1-APHBLED/320-XX	320W	40		48000	150						50	48320	151	T1-APHBLED/425-XX	425W	40	63750	150			50	64175	151																															
		50		48320	151				T1-APHBLED/425-XX	425W	40	63750	150			50	64175	151																																				
T1-APHBLED/425-XX	425W	40		63750	150						50	64175	151																																									
		50		64175	151																																																	

WARRANTY: SEVEN YEAR PARTS AND FIVE YEAR LABOR
LIFESPAN 100,000 HOURS



APOLLO

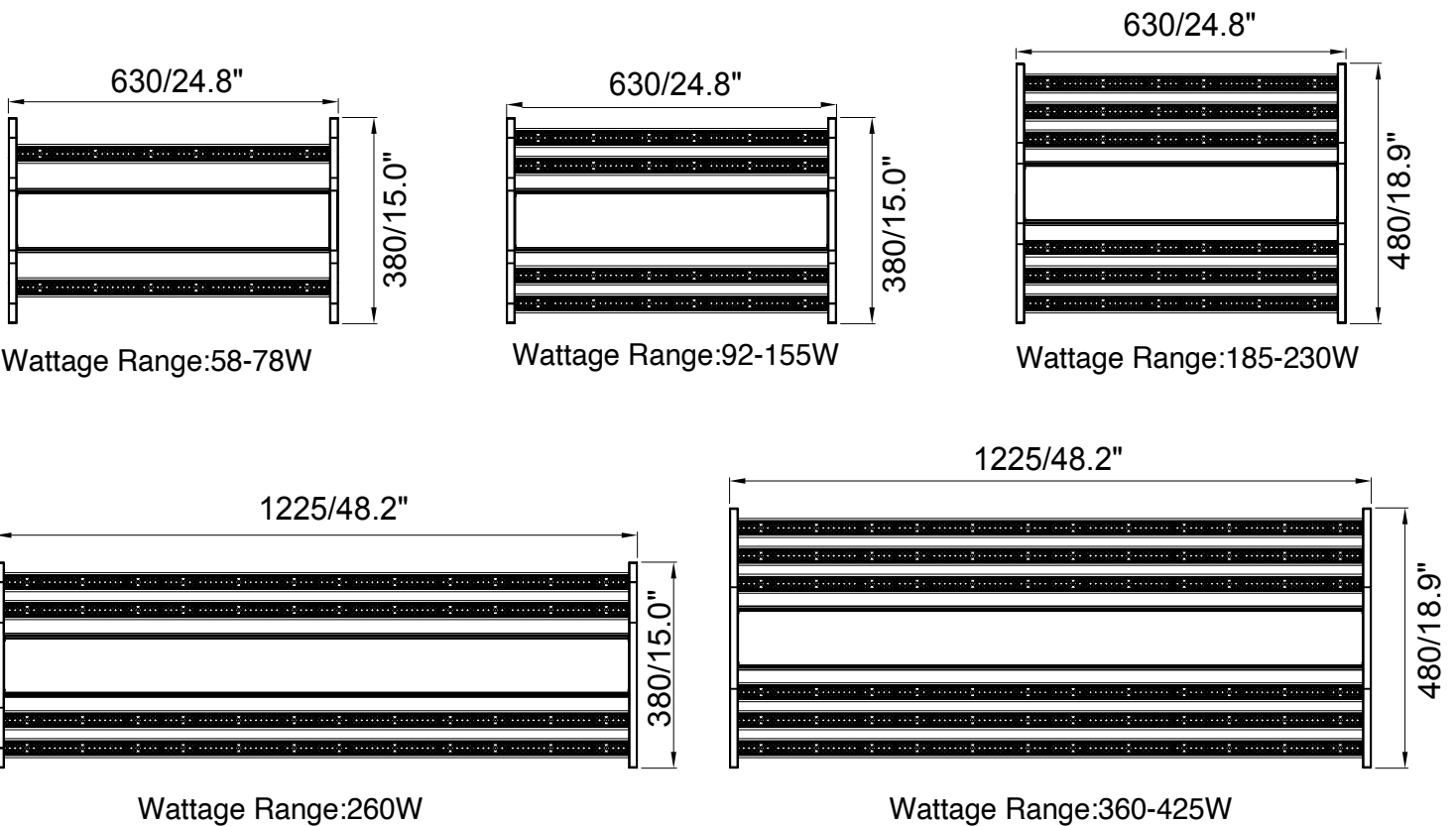
HIGH BAY LED SERIES

T1-APHBLED

ORDERING OPTIONS

SERIES	WATTAGE		Color Temp.		LENS	SENSOR		BATTERY BACKUP		ACCESSORIES			CONTROLS	
T1-APHBLED	/78-		40			MS		EM		AC			OS	
T1-APHBLED	78	78W	40	4000K	[Blank]	None	[Blank]	None	EM	15W	[Blank]	None	OS	Sensors Daylight harvesting sensor
	92	92W	50	5000K			MS	Motion Sensor	20W	WG	Wire Guard	DL		
	135	135W							30W	AC	Aircraft Cables			
	185	185W								PK	Pendant Mount Kit Hooks & Chains			
	260	260W												
	320	320W												
	425	425W												

DIMENSIONS





T-1 LIGHTING

APOLLO HIGH BAY LED SERIES T1-APHBLED

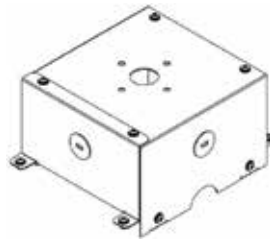
ACCESSORIES



V-Hook and Chain
(Included)



Aircraft Cable



Perdent Mount Kit



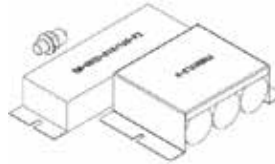
Wire Guard



Lens / Cover



Optics



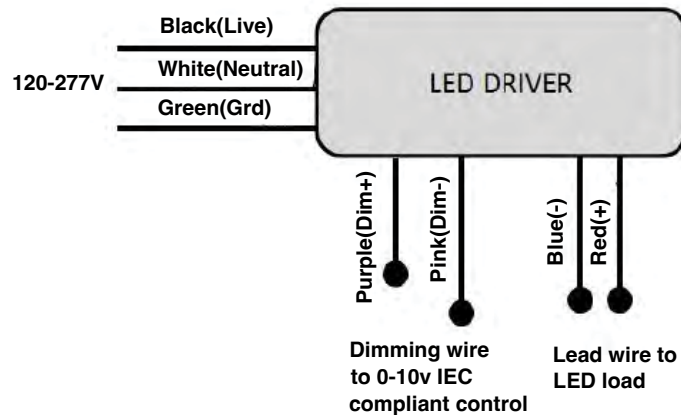
Backup Battery Pack



Motion Sensor
(Internal/External)

INSTALLATION

General Wiring Diagram



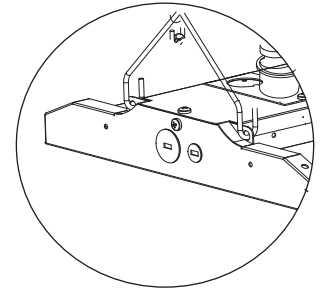
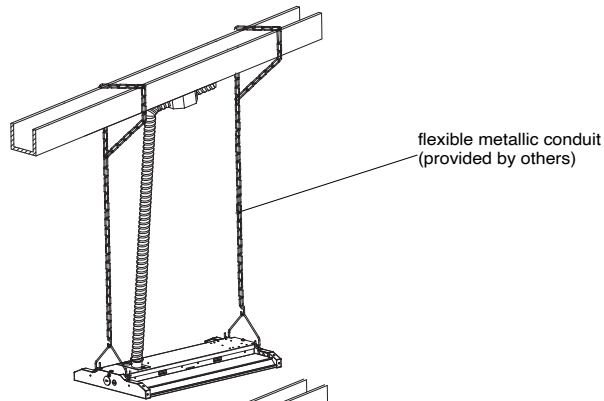


T-1 LIGHTING

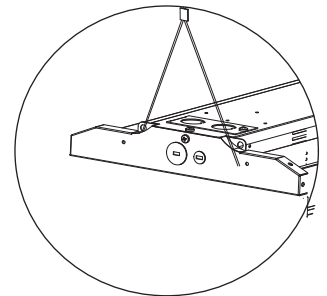
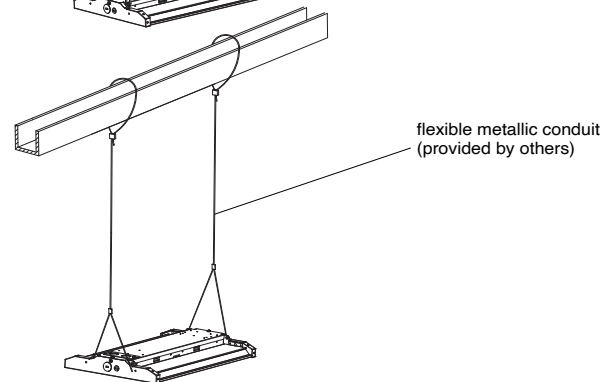
APOLLO HIGH BAY LED SERIES T1-APHBLED

INSTALLATION

A: Chain Suspending Mount



B: Cable Suspending Mount



Installation Steps:

Always turn off the power supply from main circuit breaker first!

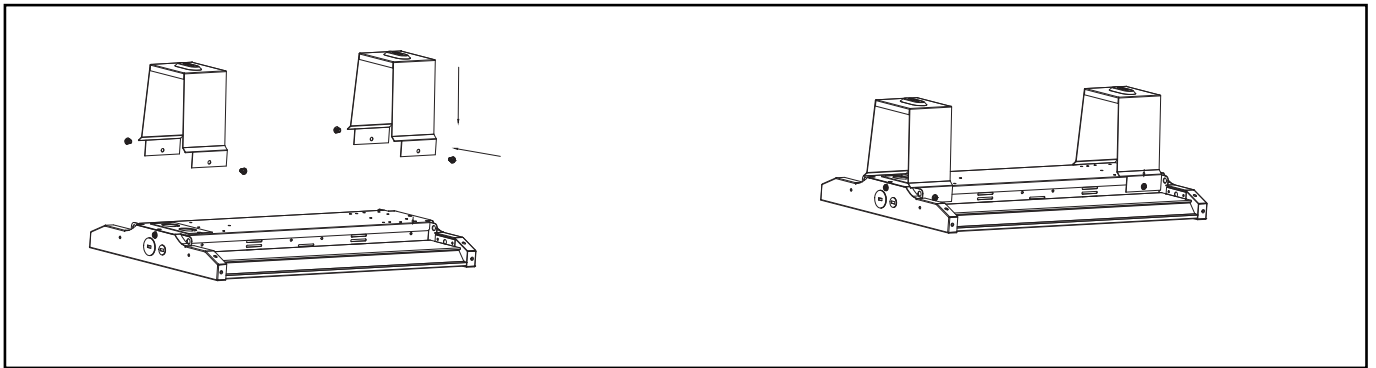
- Remove the LED fixture from packaging and inspect for any damages. Handle LED fixture with care.
- TO INSTALL WITH CHAIN MOUNT: Install the chain into the provided wire hanger. Secure the other end of the chain to a structure using hardware rated for the load. Install the wire hanger into the slots on the top of the LED luminaire end piece. Make sure the wiring hangers are fully engaged into the slots on the top channel.
- Connect the LED high bay wiring to incoming power lines, refer to the General Wiring Diagram. Use only UL listed wire.
NOTE: The purple and pink wires inside the driver compartment are 0-10V (low voltage) dimming wires. Connect to low voltage wiring only.
- Clean all residues and fingerprints from the LED luminaire. Double check all hanging hardware before moving onto the next installation.

INSTALLATION

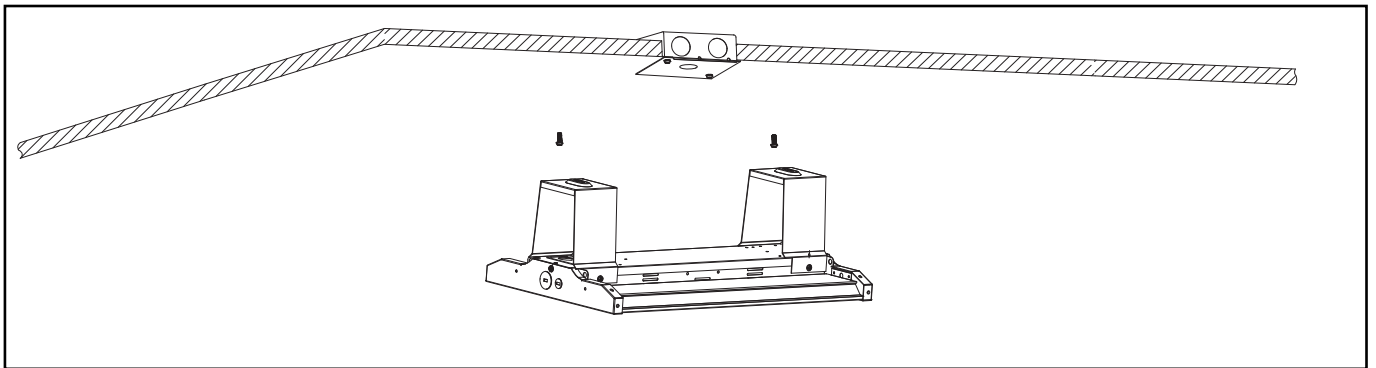
C: Surface Mounting

Always turn off the power supply from main circuit breaker first!

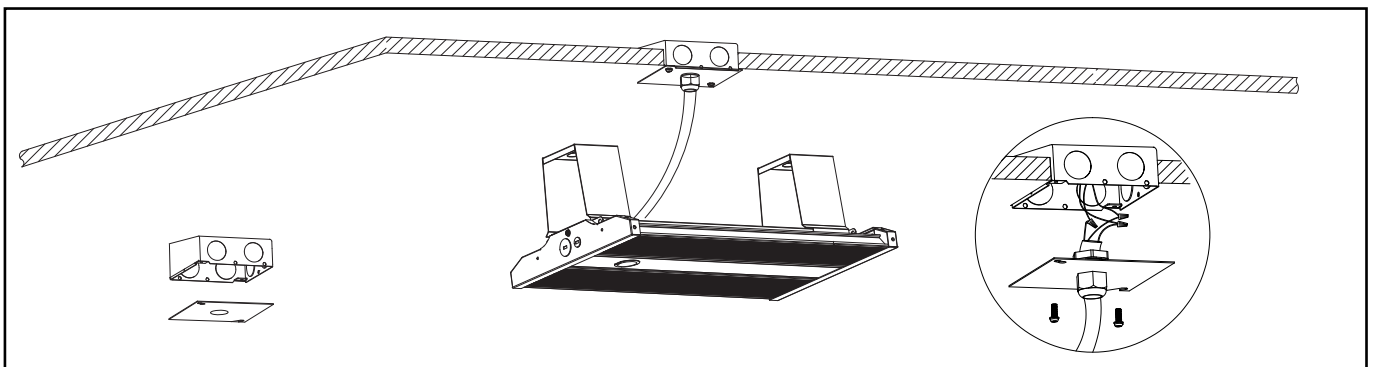
1. Fix the surface mount bracket with screws.



2. Install the fixture to the mount surface with screws



3. Connect the incoming power lines to fixture wires refer to General Wiring Diagram.

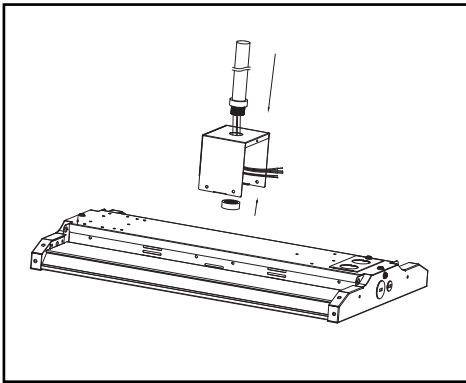


INSTALLATION

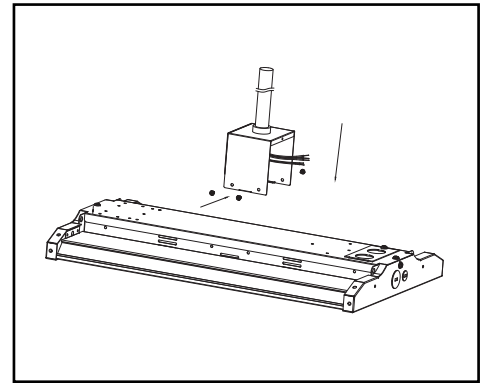
D: Pendant mounting

Always turn off the power supply from main circuit breaker first!

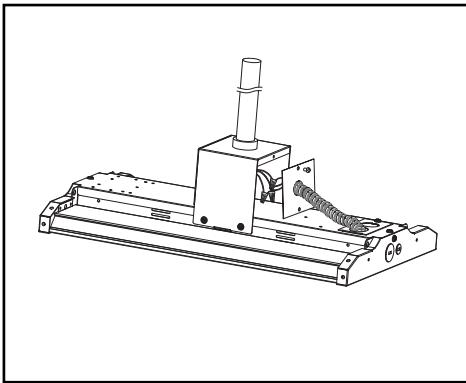
1. Attach mounting bracket to conduit pipe.



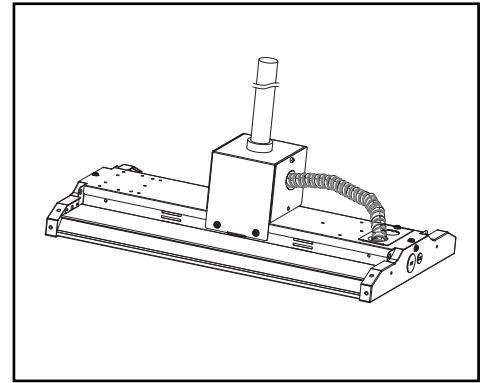
2. Fix the mounting bracket onto each side of the fixture with screws.



3. Make wiring connections refer to General Wiring Diagram. The bridged wires must be UL listed and wrapped with flexible protective conduit.

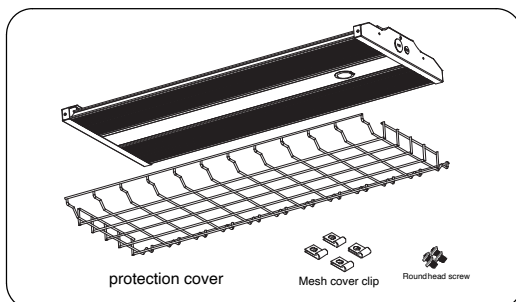


4. Install the two side-covers of the bracket with screws to hide the wires.

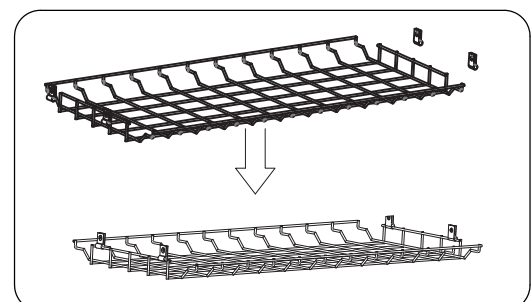


E: Wire Guards Mounting

1. Carefully remove all parts from the packaging. Inspect product for defects due to shipping.



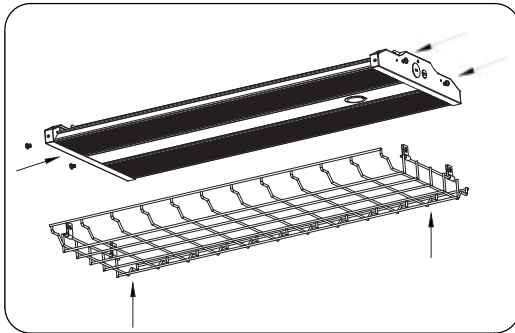
2. Insert the provided chips(4 pcs) onto the wire guard.



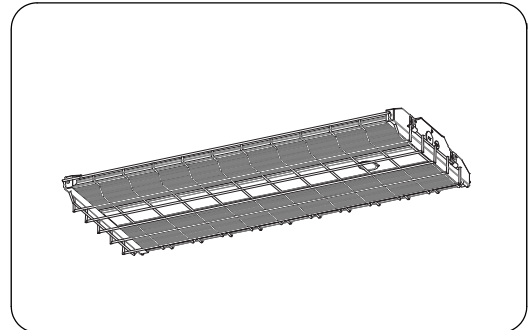
INSTALLATION

E: Wire Guards Mounting - Cont

3. Fasten the chips by screws into the pre-punched holes of fixture body.

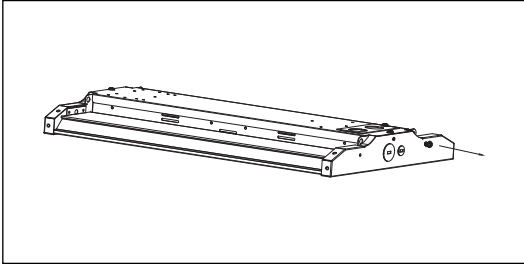


4. The installation is completed.

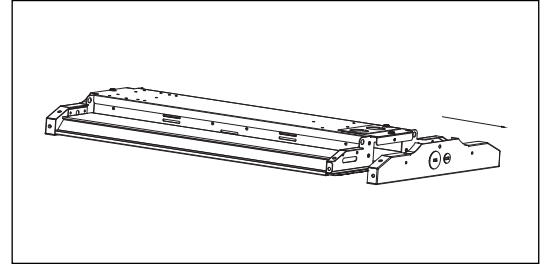


F: Replacement steps of diffuser

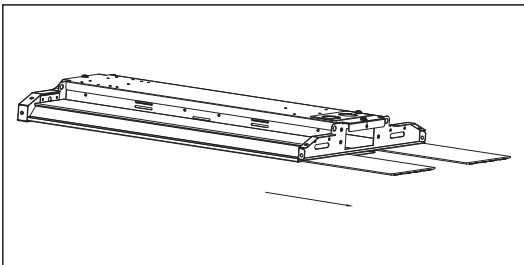
1. Remove the screw of one end-cover.



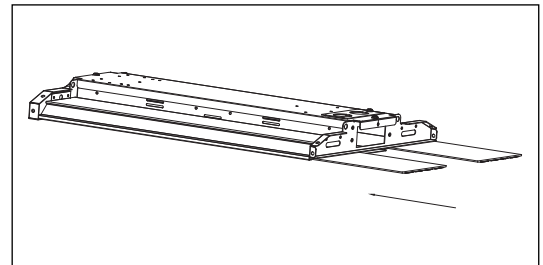
2. Remove the end-cover.



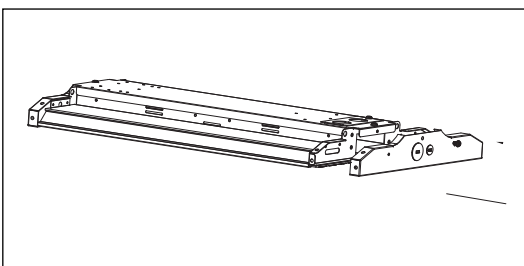
3. Take out the diffuser directly.



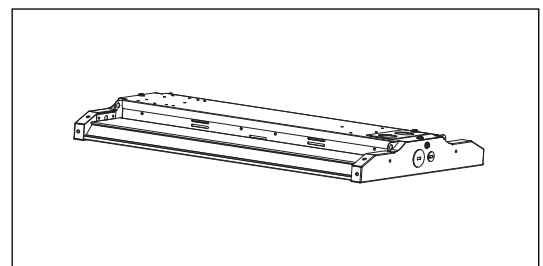
4. Put the desired diffuser into the channel



5. Reattach the end-cover to the fixture body and fix it with screw.

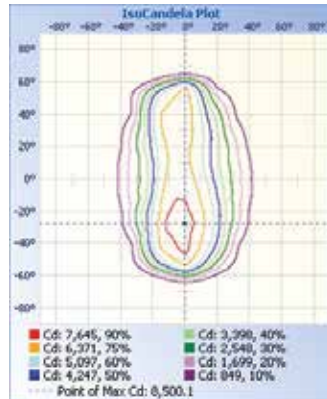
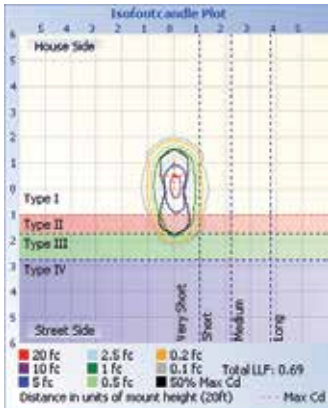


6. The replacement is completed

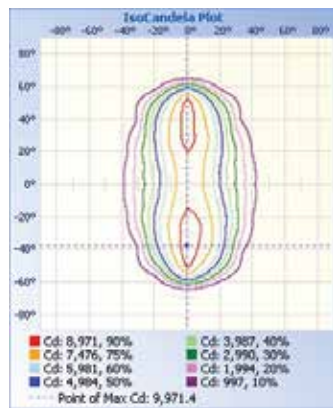
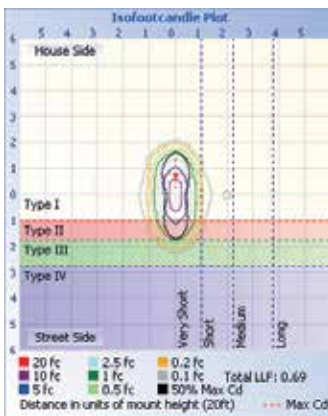


PHOTOMETRIC DATA

PHOTOMETRIC T-1 APHBLED/78W



PHOTOMETRIC T-1 APHBLED/92W



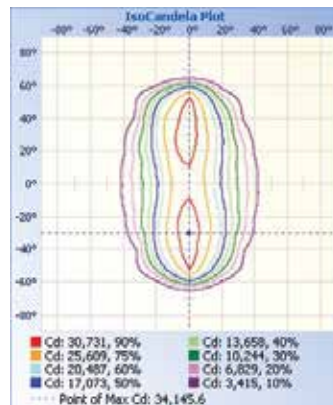
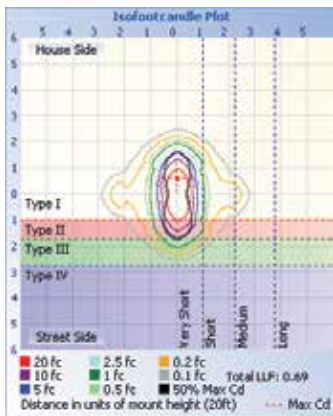
PHOTOMETRIC T-1 APHBLED/135W

PHOTOMETRIC DATA - CONT

PHOTOMETRIC T-1 APHBLED/185W

PHOTOMETRIC T-1 APHBLED/260W

PHOTOMETRIC T-1 APHBLED/320W



	Center Beam Fc	Beam Width	
17.0ft	103 fc	57.8 ft	13.6 ft
34.0ft	25.8 fc	115.6 ft	27.1 ft
51.0ft	11.5 fc	173.4 ft	40.7 ft
68.0ft	6.46 fc	231.2 ft	54.3 ft
85.0ft	4.14 fc	289.0 ft	67.8 ft
102.0ft	2.87 fc	346.8 ft	81.4 ft

Vert. Spread: 119.1°
 Horiz. Spread: 43.5°



T-1 LIGHTING

APOLLO HIGH BAY LED SERIES T1-APHBLED

PHOTOMETRIC DATA - CONT

PHOTOMETRIC T-1 APHBLED/425W

