



T-1 LIGHTING

Project	Catalog #
Distributor	Type
Prepared by	Date

ECO-LINUS LINEAR HIGH BAY SERIES T1-L2HBLED

The Linus Series is our 2nd generation of LED high bay fixtures built with upgraded LED chips and a slimmer construction. Precision-designed optics, multiple distributions, and a choice of lumen outputs and color temperatures makes the energy-efficient Linus Series the ideal solution for industrial, commercial, and other high bay applications. Suitable for damp locations and lifespan is 100,000 hours.



SPEC

Model Number	Input Power	Color Temp	Input Voltage	Lumens	Efficacy	Temp	CRI	IP
T1-L2HBLED/92-XX	92W	40K/50K	120-277V	13800/13892	150	-20°C ~ +50°C -4°F ~ +122°F	>80	Damp Location
T1-L2HBLED/115-XX	115W	40K/50K		17250/17365				
T1-L2HBLED/155-XX	155W	40K/50K		23250/23405				
T1-L2HBLED/200-XX	200W	40K/50K		30000/30200				
T1-L2HBLED/270-XX	270W	40K/50K		40500				
T1-L2HBLED/400-XX	400W	40K/50K		54000				

WARRANTY: SEVEN YEAR PARTS AND FIVE YEAR LABOR
LIFESPAN 100,000 HOURS

ORDERING OPTIONS

Series	Wattage	Color Temp	Voltage	Dimming	Accessories	Controls
T1-L2HBLED	92	-50			-WG	-OS
T1-L2HBLED	92 92W 115 115W 155 155W 200 200W 270 270W	-50 5000K	[BLANK] 120-277V	[BLANK] 0-10V	[Blank] V-Hooks & Chains 36" Wire Guard Pendant Mounting Kit Aircraft Cable SO Cord (per foot) WG PK AC CD[X]	OS On/Off PIR High Bay DL Motion Sensor Daylight Harvesting SDS Step Dimming PIR Motion & Daylight Harvesting SDT 480V Step Down Transformer EM Emergency Battery Backup, 90 mins

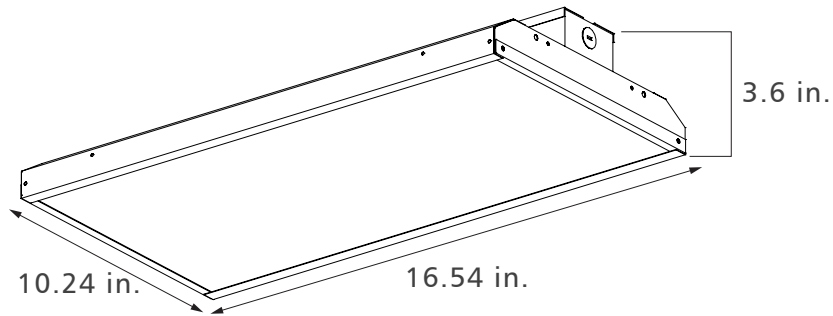


T-1 LIGHTING

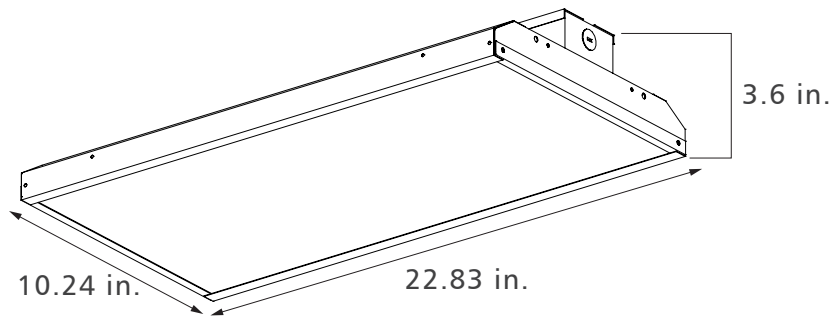
ECO-LINUS
LINEAR HIGH BAY SERIES
T1-L2HBLED

DIMENSIONS

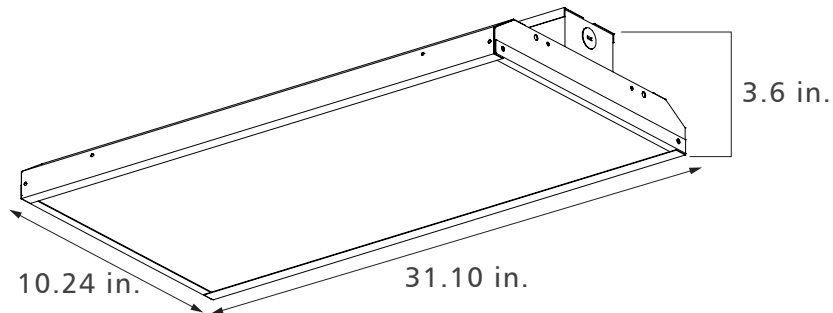
T1-L2HBLED/92-50
T1-L2HBLED/115-50



T1-L2HBLED/155-50
T1-L2HBLED/200-50



T1-L2HBLED/270-50





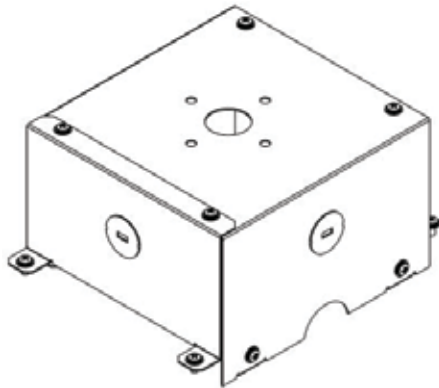
T-1 LIGHTING

ECO-LINUS
LINEAR HIGH BAY SERIES
T1-L2HBLED

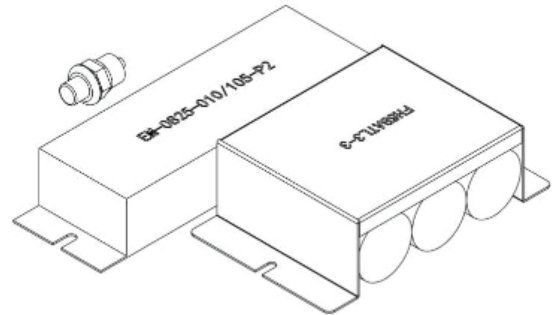
ACCESSORIES



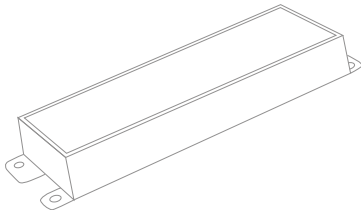
V-Hook & Chain



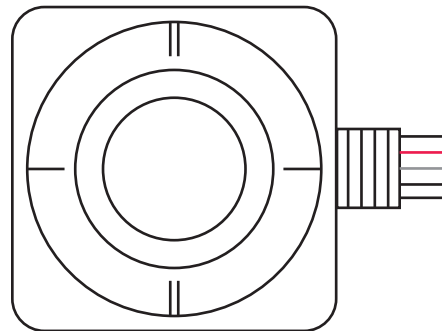
Pendent Mount kit



Emergency Battery Pack



Stepdown Transformer



Sensor

INSTALLATION

⚠ WARNING

- To reduce the risk of death, personal injury or property damage from fire, electrical shock, falling parts, cuts/abrasions and other hazards read all warnings and instructions included with and on the fixture box and all fixture labels.
- Before installing, servicing, or performing routine maintenance upon this equipment, follow these general precautions.
- Commercial installation, service and maintenance of luminaires should be performed by a qualified licensed electrician.
- For the installations: If you are unsure about the installations or maintenance of the luminaires, consult a qualified licensed electrician and check your local electrical code.
- To prevent wiring damage or abrasion, do not expose wiring to edges or sheet metal or other sharp objects.
- Do not make or alter any open holes in enclosures of wiring or electrical components during kit installation.
- Turn off electrical power at fuse or circuit breaker box before wiring fixture to power supply.
- Turn off the power when you perform any maintenance.
- Verify that supply voltage is correct by comparing it with the luminaire label information.
- All wiring connections should be capped with UL approved wire connectors.

INSTALLATION

⚠ CAUTION

- Avoid direct eye exposure to the light source while it is on.
- Account for small parts and before destroy packing material, as they may be hazardous to children.
- Risk of burn. Disconnect power and allow fixture to cool before changing bulb or handling fixture.

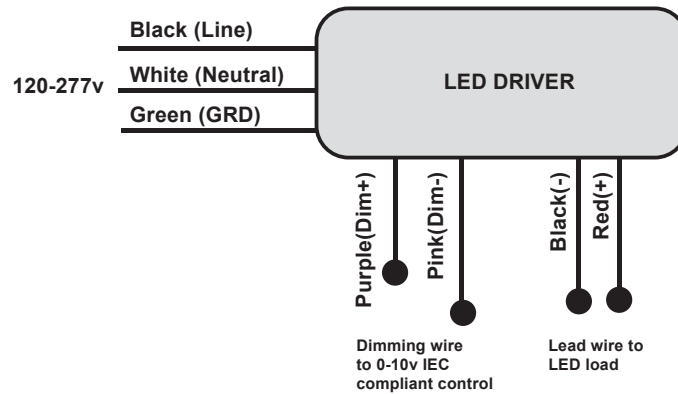
NOTICE: Green ground screw provided in proper location. Do not relocate.

NOTICE: Minimum 90 supply conductors.

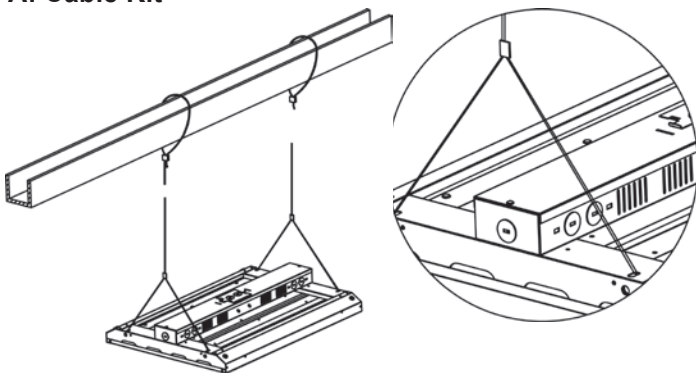
NOTICE: Specifications and dimensions subject to change without notice.

NOTICE: Suitable to dry damp location.

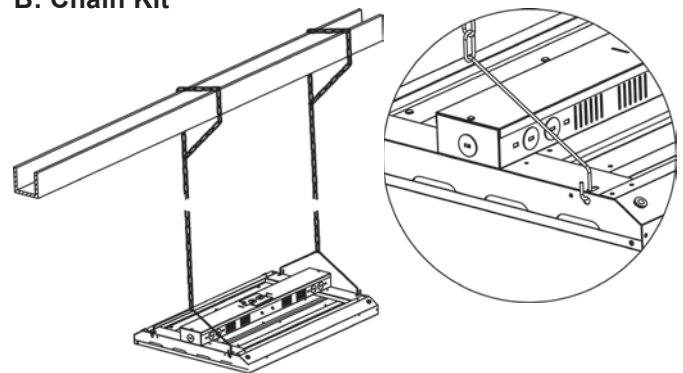
General Wiring Diagram



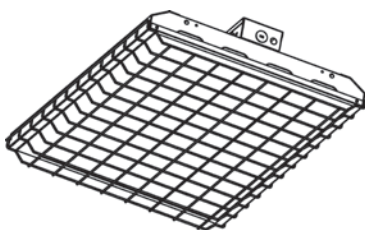
A: Cable Kit



B: Chain Kit

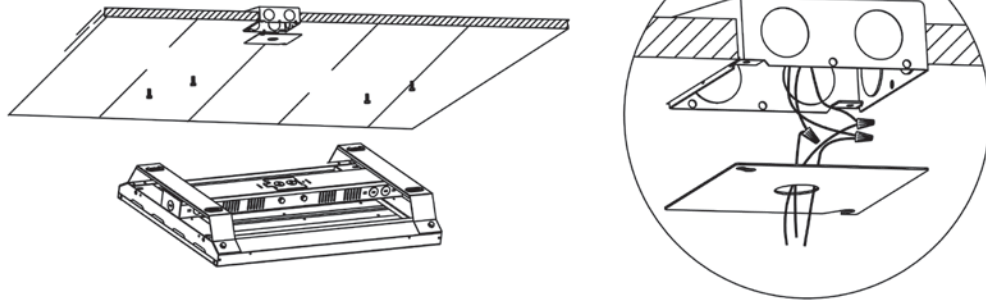


C: Wire Guard

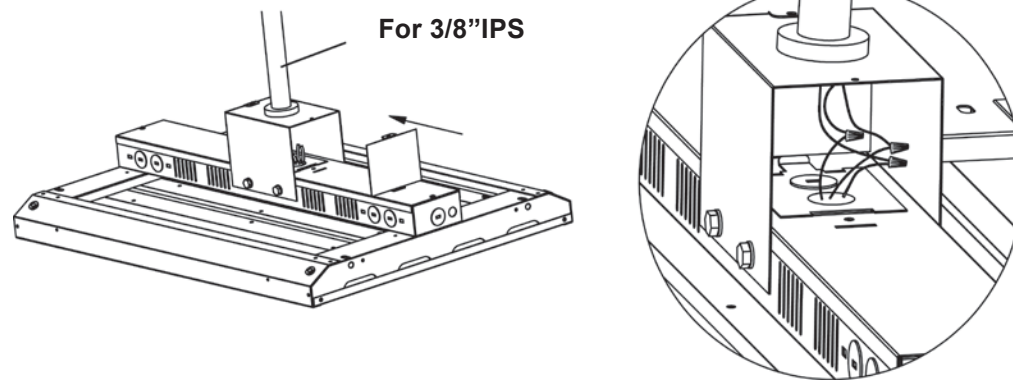


INSTALLATION - CONT

D: Surface Mounting



E: Pendant Hanger



Installation Steps:

Always turn off power supply from main circuit breaker first!

- Remove the new LED fixture from packaging and inspect for any damages. Handle new LED fixture with care.
- CHAIN MOUNT EXAMPLE: Install the chain into the provided wire hanger. Secure the other end of the chain to the structure using hardware rated for the load. Install the wire hanger onto the side of the top of T1-L2BLED channel. Make sure the wiring hangers are fully installed into the side holes on the top channel. **(Refer to Section B)**
- Connect the LED high bay wiring to the line wire, black to black, white to white, and green to green. Use only UL listed wiring.
****NOTE:** Purple and Pink lead inside the driver compartment are 0-10v (low voltage) dimming leads. Connect to dimming low voltage wiring only.
- Clean all residue/fingerprints from the new LED high bay lens. Double check all hanging hardware before moving onto the next installation.

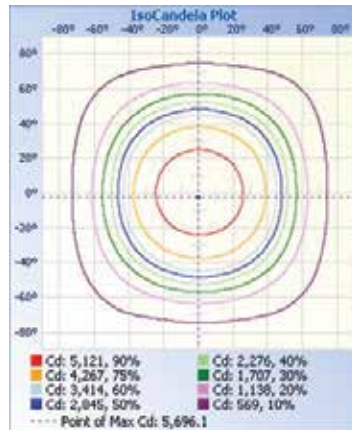
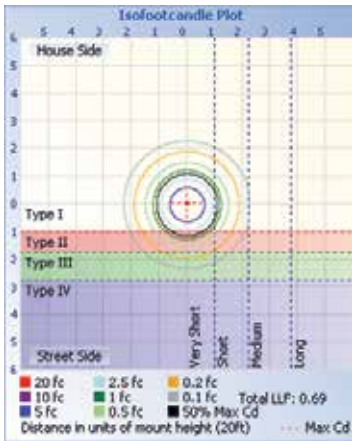


T-1 LIGHTING

ECO-LINUS
LINEAR HIGH BAY SERIES
T1-L2HBLED

PHOTOMETRIC DATA

PHOTOMETRIC DATA T1-L2HBLED/92

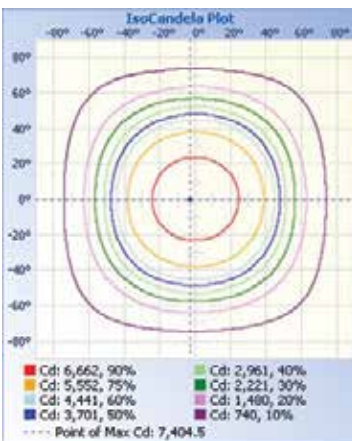
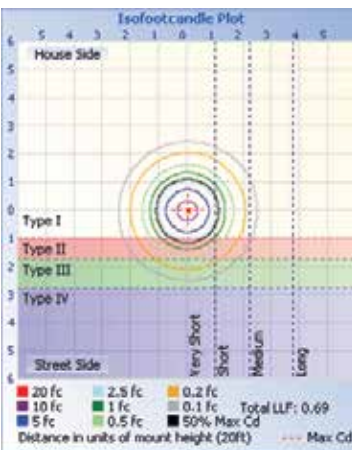


Illuminance at a Distance

Height	Center Beam fc	Beam Width
17.0ft	19.6 fc	36.4 ft 36.7 ft
34.0ft	4.90 fc	76.7 ft 73.4 ft
51.0ft	2.18 fc	115.1 ft 110.0 ft
68.0ft	1.23 fc	153.5 ft 146.7 ft
85.0ft	0.78 fc	191.8 ft 183.4 ft
102.0ft	0.54 fc	230.2 ft 220.1 ft

Vert. Spread: 96.9°
 Horiz. Spread: 94.3°

PHOTOMETRIC DATA T1-L2HBLED/115

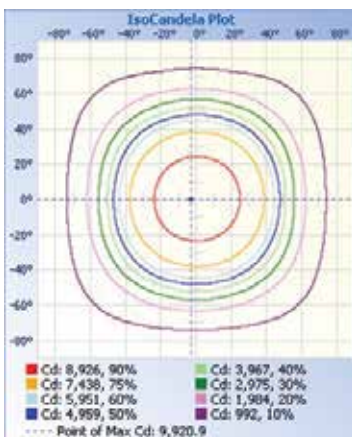
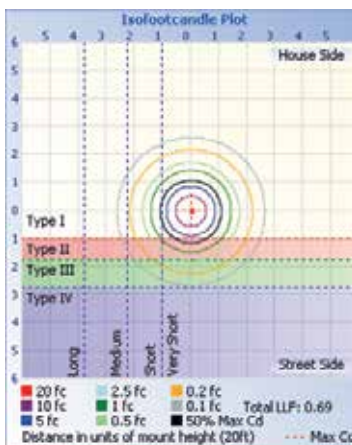


Illuminance at a Distance

Height	Center Beam fc	Beam Width
17.0ft	25.4 fc	36.4 ft 37.5 ft
34.0ft	6.35 fc	76.9 ft 75.0 ft
51.0ft	2.82 fc	115.3 ft 112.5 ft
68.0ft	1.59 fc	153.8 ft 150.0 ft
85.0ft	1.02 fc	192.2 ft 187.5 ft
102.0ft	0.71 fc	230.6 ft 225.0 ft

Vert. Spread: 97.0°
 Horiz. Spread: 95.6°

PHOTOMETRIC DATA T1-L2HBLED/155



Illuminance at a Distance

Height	Center Beam fc	Beam Width
17.0ft	34.0 fc	37.0 ft 36.7 ft
34.0ft	8.50 fc	75.7 ft 73.5 ft
51.0ft	3.78 fc	113.3 ft 110.2 ft
68.0ft	2.12 fc	151.4 ft 146.9 ft
85.0ft	1.36 fc	189.2 ft 183.6 ft
102.0ft	0.94 fc	227.1 ft 220.4 ft

Vert. Spread: 96.1°
 Horiz. Spread: 94.4°

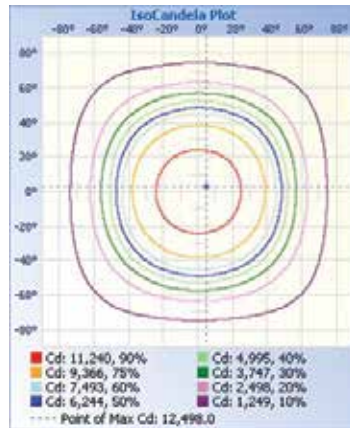
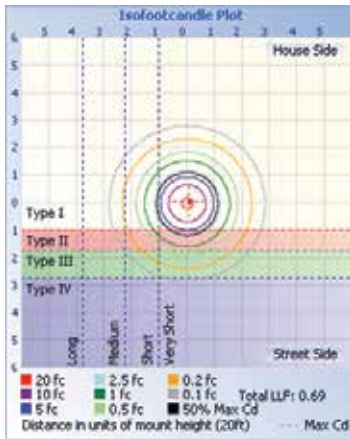


T-1 LIGHTING

ECO-LINUS LINEAR HIGH BAY SERIES T1-L2HBLED

PHOTOMETRIC DATA

PHOTOMETRIC DATA T1-L2HBLED/200



Illuminance at a Distance

	Center beam fc	Beam width	
17.0ft	42.7 fc	38.6 ft	37.4 ft
34.0ft	10.7 fc	77.1 ft	74.8 ft
51.0ft	4.75 fc	115.7 ft	112.2 ft
68.0ft	2.67 fc	154.3 ft	149.6 ft
85.0ft	1.71 fc	192.9 ft	187.0 ft
102.0ft	1.19 fc	231.4 ft	224.5 ft

Vert. Spread: 97.2°
Horiz. Spread: 95.5°

PHOTOMETRIC DATA T1-L2HBLED/270

PHOTOMETRIC DATA T1-L2HBLED/400