



T-1 LIGHTING



Project	Catalog #
Distributor	Type
Prepared by	Date

AURA DOWNLIGHT SERIES T1-AUC

Our AURA downlight is a commercial grade recessed lighting solution that offers versatile options to meet your specific lighting needs. All units have three wattage and five CCT selectable options, it provides a high luminous efficacy of up to 100LM/W with a lumen range of 1296 to 3892 depending on downlight size on the wattage selected. The AURA downlight is designed with a high-quality aluminum shell and frosted PC diffuser and standard matte white trim. Available in different sizes, including 6", 8", and 10" all with input voltage 120-277V at 60HZ, and it can be dimmed from 0-10v.



SPEC

Model Number	Input Power	Color Temp	Input Voltage	Lumens	Efficacy	Temp	CRI	PG
T1-AUC/6/MW22-MCCT	Multi Watt 12/17/22W	MCCT	120V	1296 - 1694 - 2194	100	-40°C ~ +40°C -40°F ~ +104°F	>90	N/A
T1-AUC/8/MW30-MCCT	Multi Watt 17/24/30W			1871 - 2621 - 3273				
T1-AUC/10/MW38-MCCT	Multi Watt 22/30/38W			2356 - 3141 - 3892				

WARRANTY: FIVE YEAR PARTS

ORDERING OPTIONS

Series	Form Factor	Wattage	Color Temp	Voltage	Dimming	Backup	Controls
T1-AUC	/10	/MW38	-MCCT				
T1-AUC	6 6" 8 8" 10 10"	6" MW12 12W MW17 17W MW22 22W 8" MW17 17W MW24 24W MW30 30W 10" MW22 22W MW30 30W MW38 38W	-MCCT 2700K 3000K 3500K 4000K 5000K	[BLANK] 120-277V	[BLANK] 0-10V	[BLANK] None	[BLANK] None

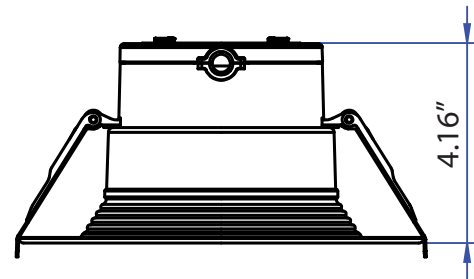
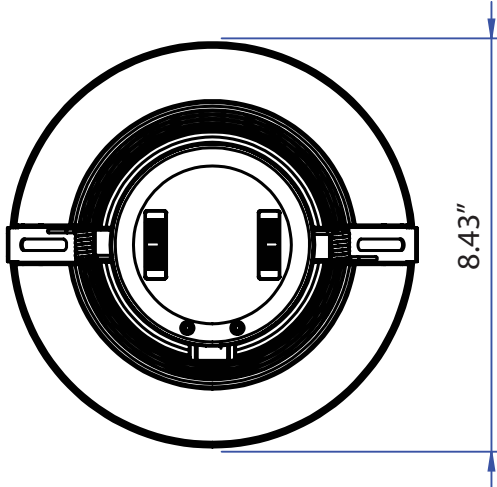


T-1 LIGHTING

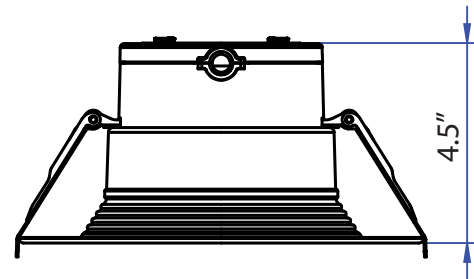
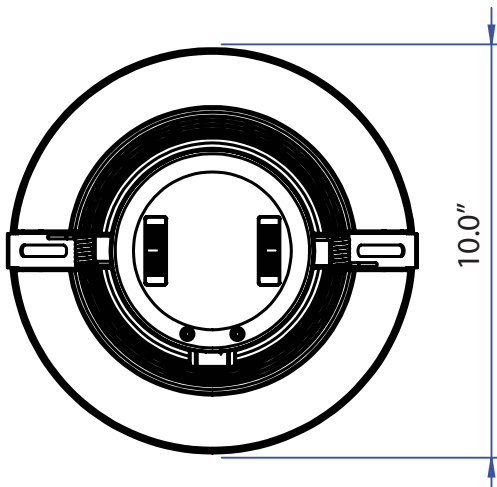
AURA
DOWNLIGHT SERIES
T1-AUC

DIMENSIONS

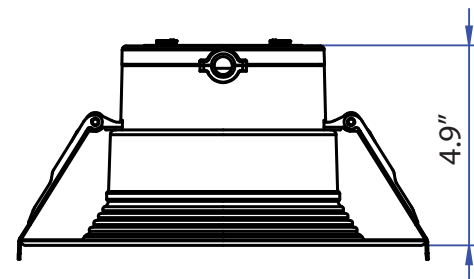
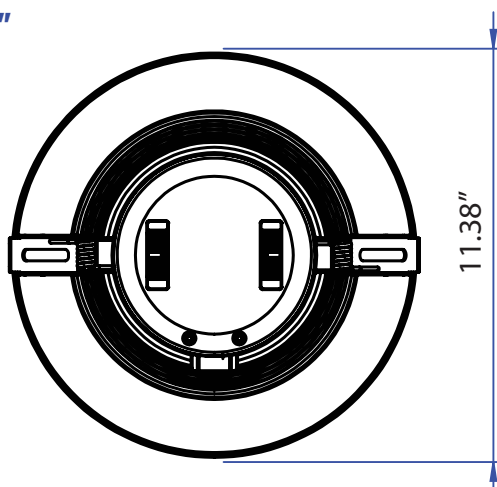
6"



8"



10"



INSTALLATION

WARNING

Turn off electricity at main fuse box (or circuit breaker box) before beginning installation by removing Fuse (or switching off circuit breaker).

Be careful not to damage or cut the wire insulation (covering) during fixture installation. Do not permit power cord or housing to contact any surface having a sharp edge. To do so may damage or cut the wire insulation, which could cause serious injury or death from electric shock.

This fixture requires 120-277V power input. The installer must confirm the input power at the source prior to installation

Step 1:

Turn off the power before installation. Remove the existing fixture if applicable. Determine the location and necessary hole cutout diameter using the supplied table and cut the ceiling hole with the listed approximate diameter, see Fig 1.

HOLE SIZE

6inch: 6 19/64" (160mm)

8inch: 8 5/64" (205mm)

10inch: 8 31/32" (228mm)

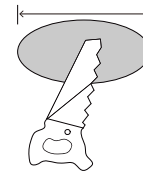


Fig1

Step 2:

Choose desired CCT & Wattage by simply switching the switch, see Fig 2.

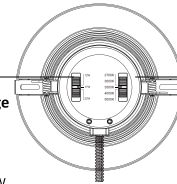
Selectable Wattage

6inch: 12W-17W-22W

8inch: 17W-24W-30W

32W-42W-52W

10inch: 22W-30W-38W



Selectable CCT

☑ 2700K

☑ 3000K

☑ 3500K

☑ 4000K

☑ 5000K

Fig2

Step 3:

ATTach the carabiner safety clip to the existing fixture housing, see Fig3.

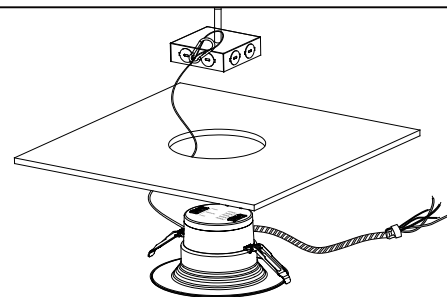


Fig3

Step 4:

Connect AC and dimming supply cables inside the hardwire Junction Box (not included) by using 5 wire nuts in the following manner: black to black, white to white, pink to pink or grey, purple to purple, and green-earth to ground wire.

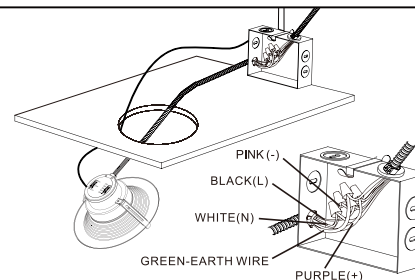
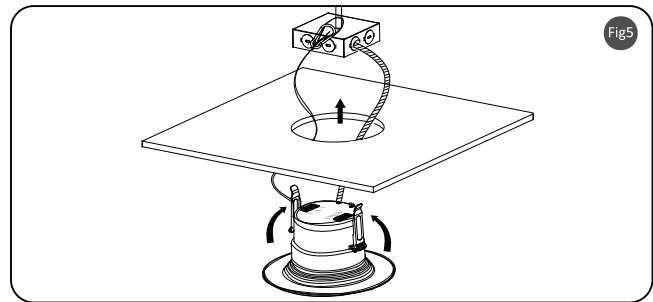


Fig4

INSTALLATION

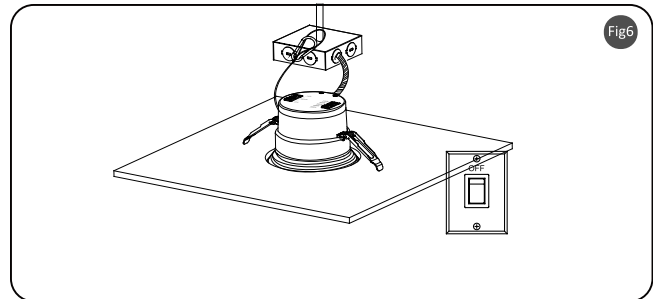
Step 5:

Push the downlight spring loaded clips upwards and insert the base into the mounting hole. Release the clips and the fixture will grip flush with the ceiling/drywall.



Step 6:

Turn on the power to confirm the fixture is working properly.



CONTROL SELECTION

Selectable wattage

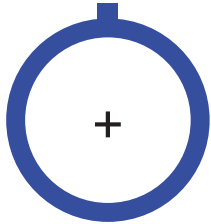
6inch:12W-17W-22W
 8inch:17W-24W-30W
 32W-42W-52W
 10inch:22W-30W-38W

Selectable CCT

2700K, 3000K, 3500K, 4000K, 5000K



ACCESSORIES INCLUDED



Hole cutout card

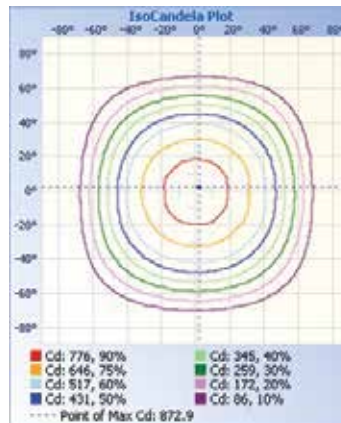
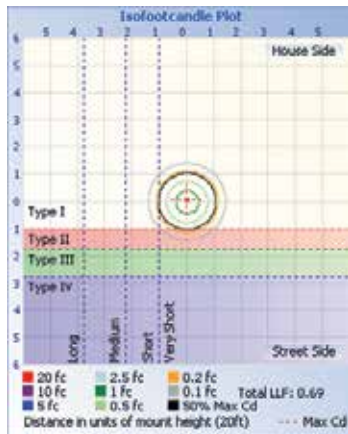
Size: Hole Size:
6" 6 19/64"
8" 8 5/64"
10" 8 31/32"



Wire Nuts

PHOTOMETRIC DATA

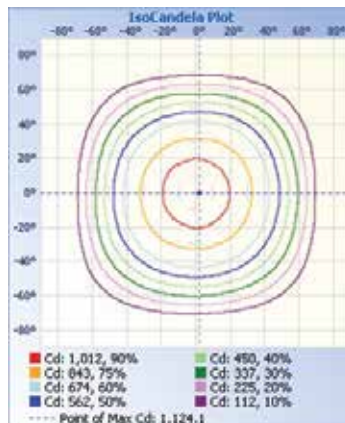
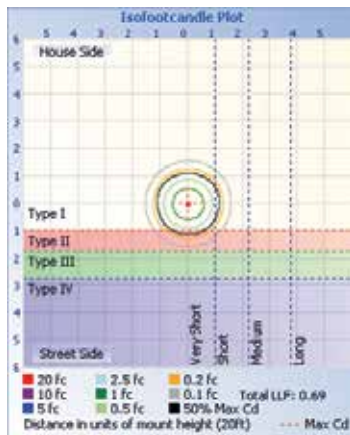
PHOTOMETRIC DATA 6" - 22W



Center Beam fc	Beam Width
17.0ft: 2.96 fc	35.7 ft 35.5 ft
34.0ft: 0.74 fc	71.4 ft 71.0 ft
51.0ft: 0.33 fc	107.0 ft 106.5 ft
68.0ft: 0.18 fc	142.7 ft 142.1 ft
85.0ft: 0.12 fc	178.4 ft 177.5 ft
102.0ft: 0.08 fc	214.1 ft 213.1 ft

Vert. Spread: 92.8°
Horiz. Spread: 92.5°

PHOTOMETRIC DATA 8" - 30W



Center Beam fc	Beam Width
17.0ft: 3.87 fc	38.1 ft 37.8 ft
34.0ft: 0.97 fc	76.1 ft 75.7 ft
51.0ft: 0.43 fc	114.2 ft 113.5 ft
68.0ft: 0.24 fc	152.3 ft 151.3 ft
85.0ft: 0.15 fc	190.3 ft 189.2 ft
102.0ft: 0.11 fc	228.4 ft 227.0 ft

Vert. Spread: 96.5°
Horiz. Spread: 96.1°

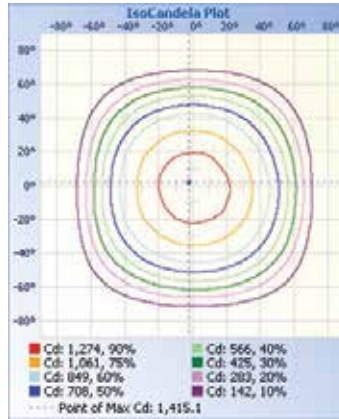
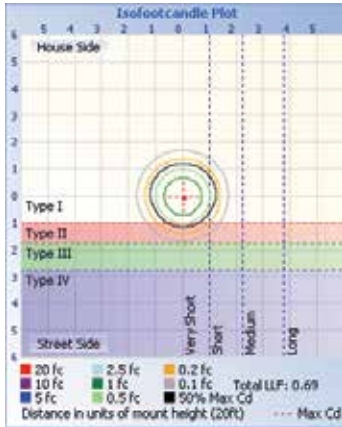


T-1 LIGHTING

AURA
DOWNLIGHT SERIES
T1-AUC

PHOTOMETRIC DATA - CONT

PHOTOMETRIC DATA 10" - 38W



Illuminance at a Distance

	Center Beam fc	Beam Width
17.0ft	4.89 fc	40.0 ft
34.0ft	1.22 fc	80.0 ft
51.0ft	0.54 fc	120.0 ft
68.0ft	0.31 fc	160.0 ft
85.0ft	0.20 fc	200.0 ft
102.0ft	0.14 fc	240.0 ft

■ Vert. Spread: 99.3°
■ Horic. Spread: 99.3°