



T-1 LIGHTING

Project	Catalog #
Distributor	Type
Prepared by	Date



WOLF

Wall Pack Series

T1-EWPLED

The **Wolf Series** is the ideal solution to illuminate the perimeter of any commercial or industrial facility. These fixtures are designed with a removable front housing for easy installation. This series offers convenient operating features and provides superior lighting without flickering or humming.

SPECS

Model Number	Input Power	Color Temp	Input Voltage	Lumens	Efficacy	Temp	CRI
T1-EWPLED/U/40-40	40	40	120-277V High Voltage 480V Optional	5720	143	-40°C ~ +40°C -40°F ~ +104°F	>70
T1-EWPLED/U/40-50		50		5800	145		
T1-EWPLED/U/60-40	60	40		8580	143		
T1-EWPLED/U/60-50		50		8700	145		
T1-EWPLED/U/80-40	80	40		11440	143		
T1-EWPLED/U/80-50		50		11600	145		
T1-EWPLED/U/100-40	100	40		14300	143		
T1-EWPLED/U/100-50		50		14500	145		
T1-EWPLED/U/120-40	120	40		17160	143		
T1-EWPLED/U/120-50		50		17400	145		

WARRANTY: FIVE YEAR PARTS



SERIES	WATTAGE	COLOR TEMP	VOLTAGE	DIMMING	LENS OPTIONS	CONTROLS	MOUNTING
T1-EWPLED	/U/ 75	40				PCB	
T1-EWPLED	75 75W	40 4000K 50 5000K	[Blank] 120V-277V Optional 480V	[Blank] Available	[Blank] N/A	PCB Button-style photocell	N/A

ORDERING OPTIONS

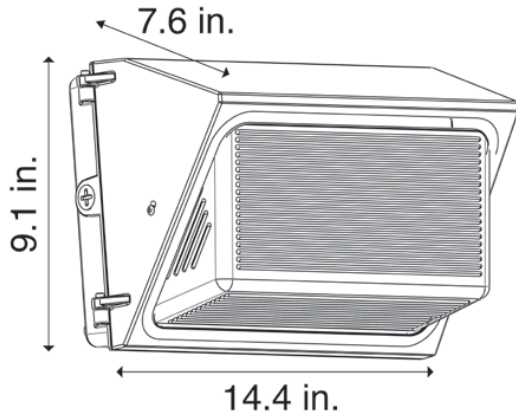


T-1 LIGHTING

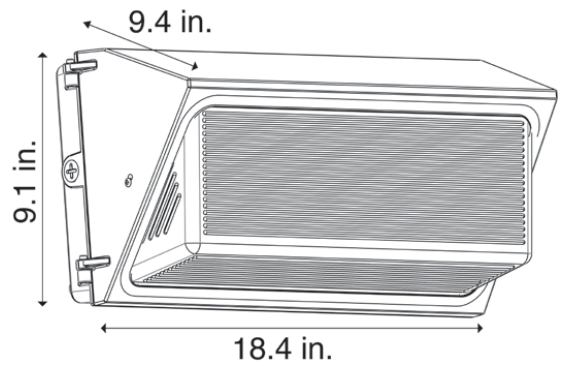
WOLF WALL PACK SERIES T1-EWPLED

DIMENSIONS

40W, 60W, 80W



100W, 120W



Standard



Quick Mount

● Photocell Option



● Glass Refractor

● Heat Sink



● LED Moduler



COMPONENTS

STANDARD MODEL INSTALLATION



Open the fixture, then mount back plate to the junction box or wall.



Hang the housing on the hinges and then make the necessary wiring connections.



Close the housing and tighten the screws.



The installation is complete.

QUICK MOUNT MODEL INSTALLATION



Using a Phillips head screwdriver, remove the set screws from the bottom of the mounting plate.



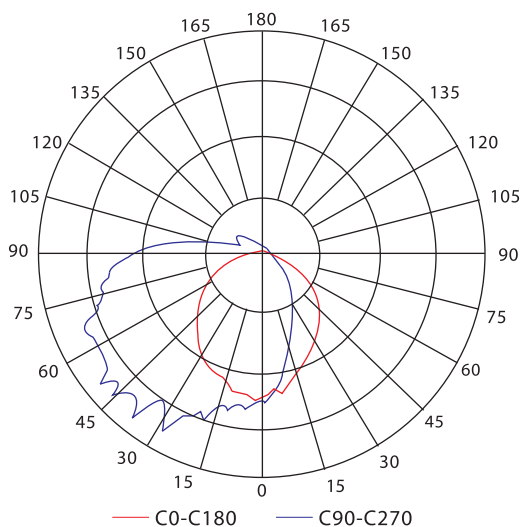
Attach the mounting plate onto the junction box.



Connect the wiring to hot, neutral, and ground.



Slide the fixture downward on to the mounting plate, and replace the set screws removed from step 1.



PHOTOMETRIC



10KV SPD
120-277V or 347-480V

Mini Photosensor



ACCESSORIES