



**T-1 LIGHTING**

Project	Catalog #
Distributor	Type
Prepared by	Date



# STYLER STRIP RETROFIT SERIES T1-SRLED4

The **Styler Series** is our new strip retrofit light with revolutionary multi-watt and multi-CCT feature. The field adjustable multi-watt, multi-color dip switch on the driver allows you to change the wattage and color temperature according to your project's needs. This series comes in 4-foot and 8-foot packages. Made to last with tough 22 gauge metal housing, this fixture is complemented by clean aesthetics—white matte finish and a smooth PC cover lens. It is a retrofit fixture that is mounted on the surface but it can also be suspended using hooks and aircraft cables. Its flat and simple endcap design allows easy install/removal of the lens. Brackets and screws are included for replacement. The **Styler Series** is ideal for parking lots, supermarkets, corridors, retail spaces and warehouses.

SPECS

Model Number	Input Power	Color Temp	Input Voltage	Lumens	Efficacy	Temp	CRI
T1-SRLED4/U/MW44-MCCT	Multi-Watt 22/27/35/44W	MCCT	120-277V	3102	141	-40°C ~ +40°C -40°F ~ +104°F	>80
				3753	139		
				4795	137		
				6028	137		
T1-SRLED4/U/MW88-MCCT	Multi-Watt 54/68/88W			7257	141		
				9452	139		
				12056	137		

WARRANTY: SEVEN YEAR PARTS AND FIVE YEAR LABOR



SERIES	FORM FACTOR	WATTAGE	COLOR TEMP	VOLTAGE	DIMMING	Backup	CONTROLS
T1-SRLED	4/U/	MW44	MCCT			EM	MS
T1-SRLED	4 4' 8 8'	4' MW44 44/35/27/22W 8' MW88 88/68/54W	MCCT 3500K 4000K 5000K	[Blank] 120V-277V	[Blank] 0-10V	[Blank] None EM Emergency Battery Backup	[Blank] None MS Motion Sensor

ORDERING OPTIONS

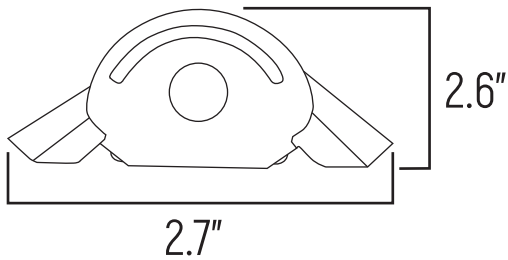
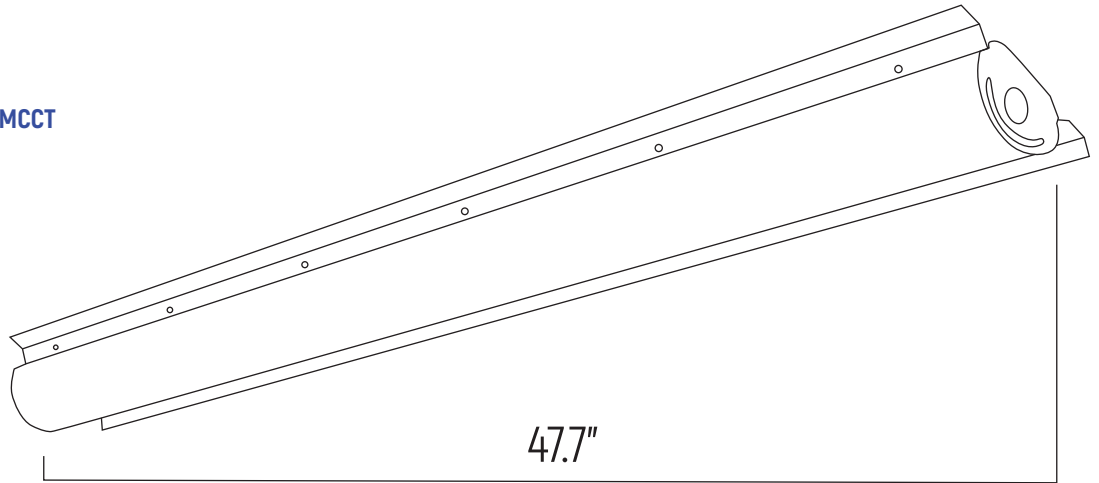


T-1 LIGHTING

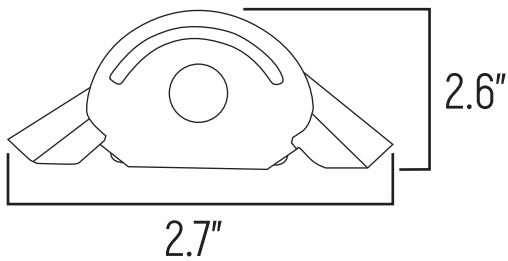
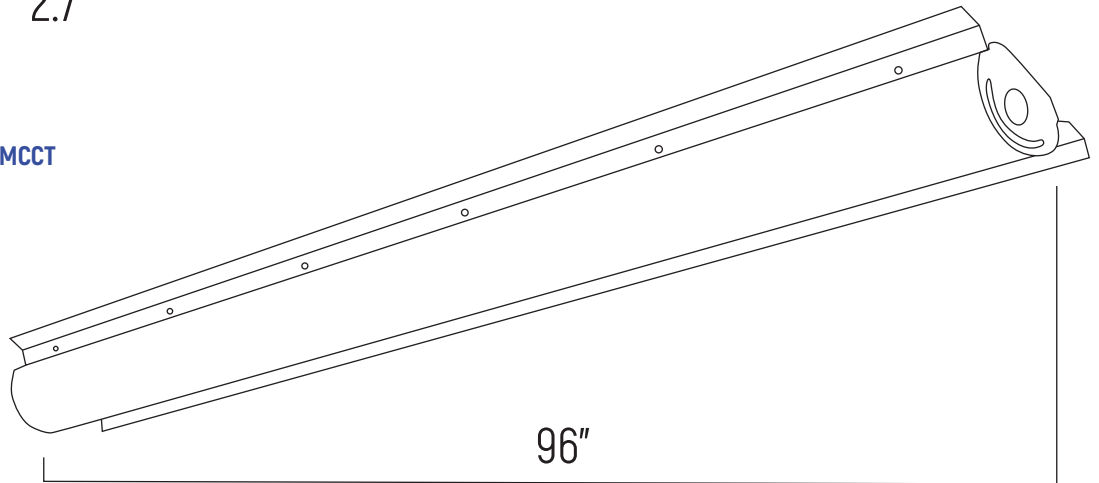
**STYLER**  
STRIPRETROFIT SERIES  
**T1-SRLED4**

DIMENSIONS

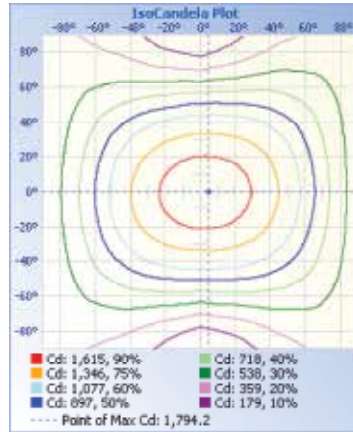
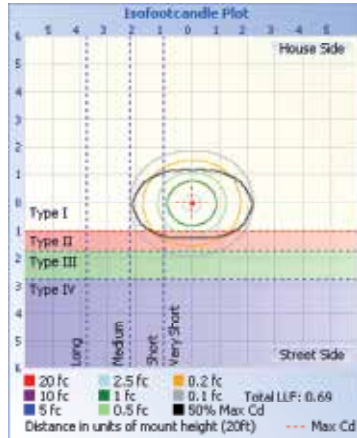
T1-SRLED4/U/MW44-MCCT



T1-SRLED4/U/MW88-MCCT



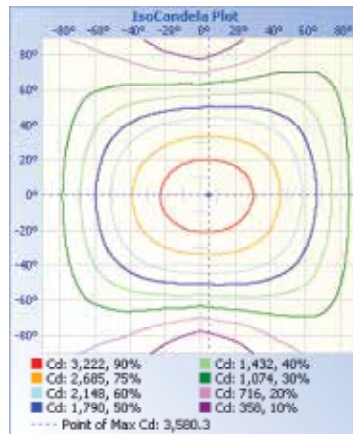
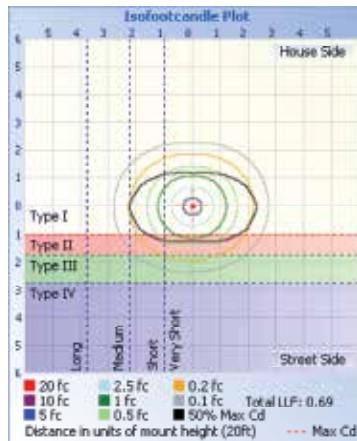
### PHOTOMETRIC DATA MW44-MCCT



Height	Illuminance at a Distance	
	Center Beam Fc	Beam Width
17.0ft	6.21 fc	41.6 ft 57.0 ft
34.0ft	1.55 fc	83.2 ft 134.0 ft
51.0ft	0.69 fc	124.9 ft 201.0 ft
68.0ft	0.39 fc	166.5 ft 268.1 ft
85.0ft	0.25 fc	208.1 ft 335.1 ft
102.0ft	0.17 fc	249.7 ft 402.1 ft

■ Vert. Spread: 101.5°  
■ Horiz. Spread: 126.2°

### PHOTOMETRIC DATA MW88-MCCT



Height	Illuminance at a Distance	
	Center Beam Fc	Beam Width
17.0ft	12.4 fc	41.5 ft 57.0 ft
34.0ft	3.09 fc	83.1 ft 135.6 ft
51.0ft	1.37 fc	124.6 ft 203.4 ft
68.0ft	0.77 fc	166.2 ft 271.2 ft
85.0ft	0.49 fc	207.7 ft 338.9 ft
102.0ft	0.34 fc	249.2 ft 406.7 ft

■ Vert. Spread: 101.4°  
■ Horiz. Spread: 126.7°

PHOTOMETRIC DATA