



T-1 LIGHTING

Project	Catalog #
Distributor	Type
Prepared by	Date



ARIA

SLIM AREA / FLOOD LIGHT SERIES

T1-SFLED

The **Aria Series** is an effective way to ensure that the surrounding areas of a facility are brightly illuminated. Ideal for exterior applications, the **Aria Series** is offered in several wattages, and color temperature packages along with several mounting options for wall or pole mounting.

SPECS

Model Number	Input Power	Color Temp	Input Voltage	Lumens	Efficacy	Temp	CRI	IP
T1-SFLED/U/75	75	40	120-277V High Voltage 480V Optional	11250	150	-40°C ~ +40°C -40°F ~ +104°F	>70	65
		50		11400	150			
T1-SFLED/U/100	100	40		15000	150			
		50		15000	150			
T1-SFLED/U/150	150	40		22500	150			
		50		22650	150			
T1-SFLED/U/240	240	40		36000	150			
		50		36240	150			
T1-SFLED/U/320	320	40		48000	150			
		50		48320	150			

WARRANTY: FIVE YEAR PARTS



SERIES	WATTAGE	COLOR TEMP	VOLTAGE	DIMMING	LENS OPTIONS	CONTROLS	MOUNTING
T1-SFLED	/U/ 75	40				PCB	SF
T1-SFLED	75 75W	40 4000K	[Blank] 120V-277V	[Blank] 0-10V	[Blank] Type III	PCB Button-style photocell	AR Arm extension
	100 100W	50 5000K			IV Type IV	PCT Twist-lock photocell	SF Slip fitter
	150 150W		HV 480V		V Type V	MS Bi-level Micro-wave sensor	TR Trunion
	240 240W					PS Bi-level PIR sensor	UB U-bracket
	320 320W						

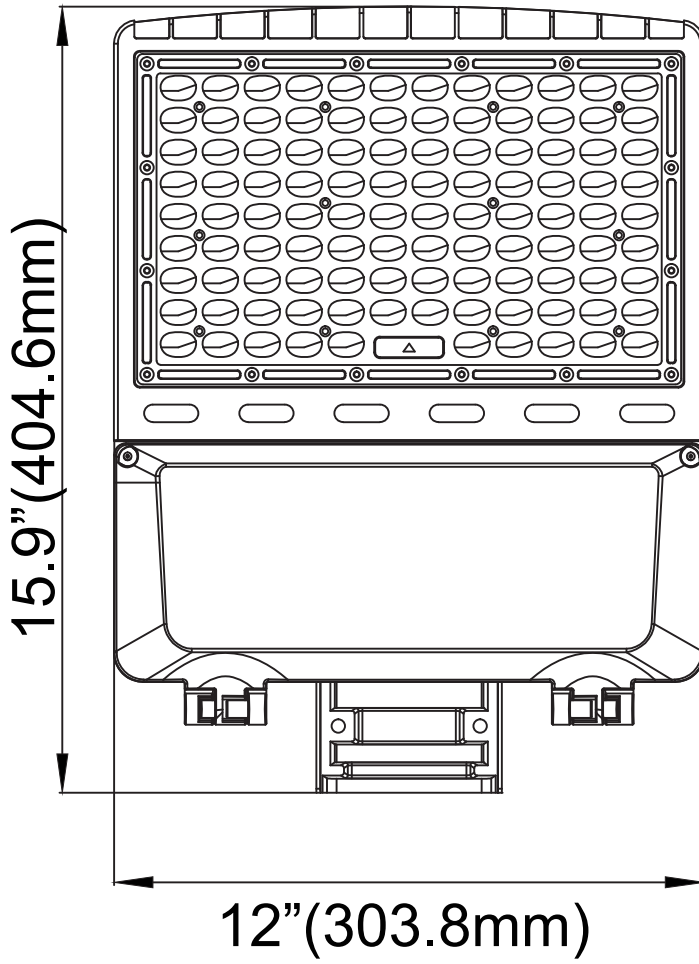
ORDERING OPTIONS



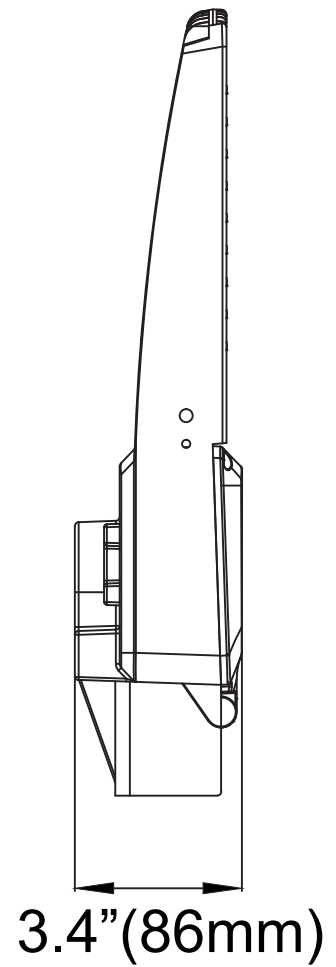
T-1 LIGHTING

ARIA
SLIM AREA/FLOOD LIGHT SERIES
T1-SFLED

DIMENSIONS



17.3"



Slipfitter Mounting

1. The slipfitter mounting fits a 2 3/8" O.D. Tenon. Place the slipfitter over the Tenon and secure the fixture with the Set Screws (2) on the side of the slipfitter.
2. Remove two screws on side of Round Cover Plate. Remove the Round Cover Plate and adjust the angle of the fixture.
3. Loosen the Locking Bolt and swivel fixture to desired angle.
4. Tighten the Locking Bolt and re-attach Round Cover Plate.

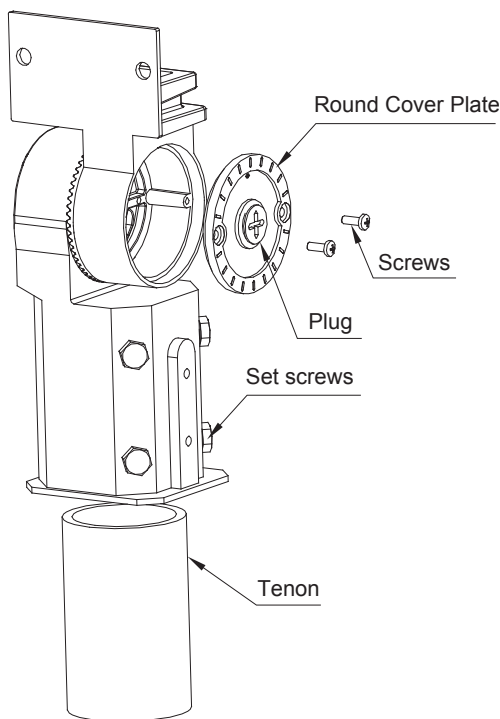


FIG.1

Trunnion Mounting

CAUTION: UL and C-UL listed or CSA certified liquid tight cord grip suitable for use with three conductor type STW flexible cord shall be used for connection to a wet location outlet box provided by others.

To adjust the angle of the fixture using the trunnion:

1. Loosen the Pivot Bolts & angle locking screw.
2. Adjust fixture to desired angle.
3. Tighten Pivot Bolts & angle locking screw.

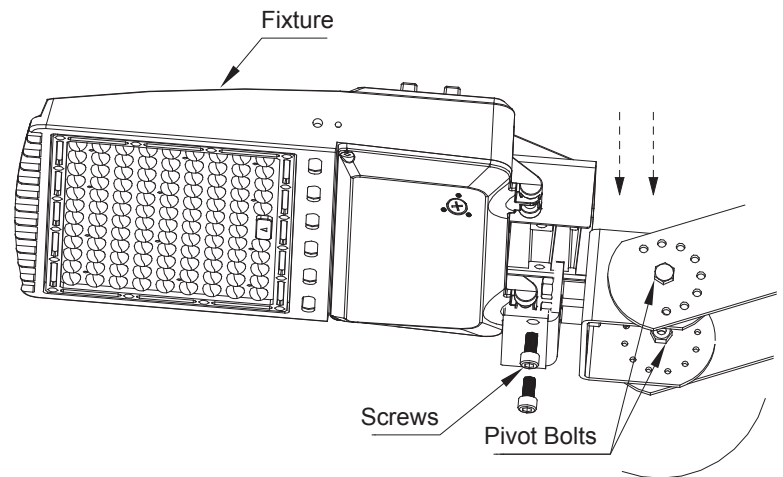


FIG.2

Adjustable Arm Mounting

1. Install the arm base on the pole(See FIG.3), Need to make the base arc-shaped to fit the round pole(See FIG.5)
2. Connect the wires correctly.
3. Slide down the fixture into the arm base and screw the two safety screws(FIG.4)



T-1 LIGHTING

ARIA SLIM AREA/FLOOD LIGHT SERIES T1-SFLED

MOUNTING DIAGRAM (CONT.)

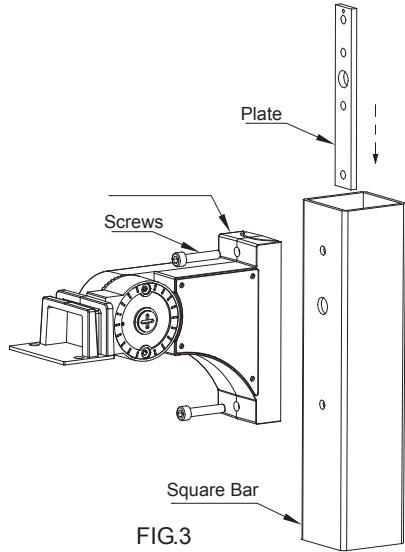


FIG.3

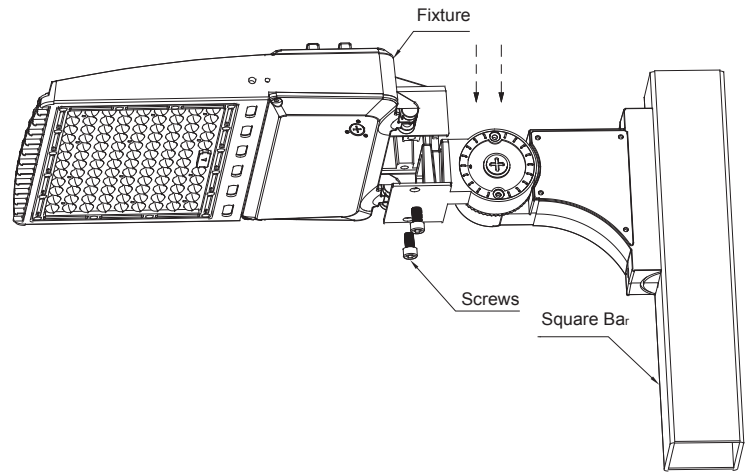


FIG.4

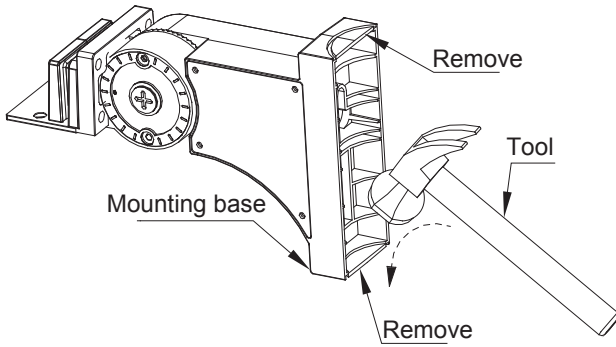


FIG.5

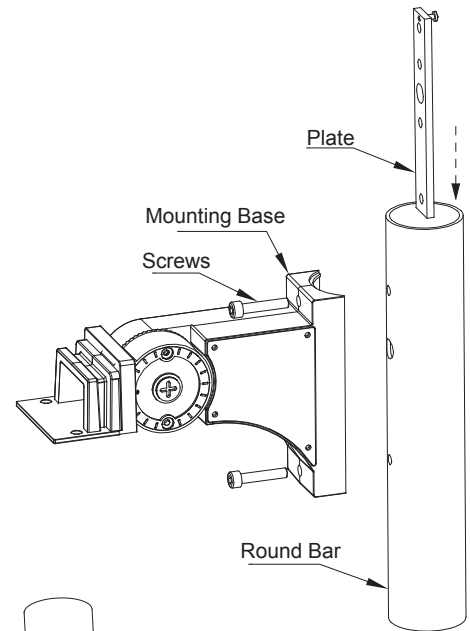


FIG.6

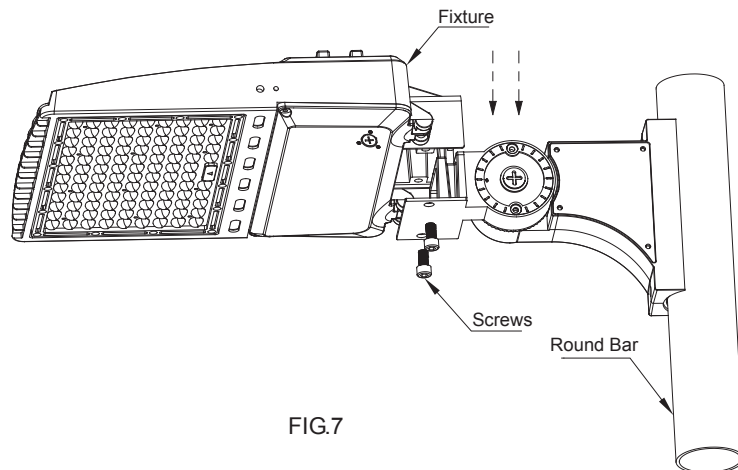


FIG.7



T-1 LIGHTING

ARIA SLIM AREA/FLOOD LIGHT SERIES T1-SFLED

COMPONENTS

HOUSING

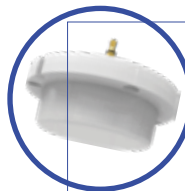
High pressure die casting aluminum power coating housing, with integral heat sink fins for excellent heat dissipation performance.

ADJUSTABLE ANGLE



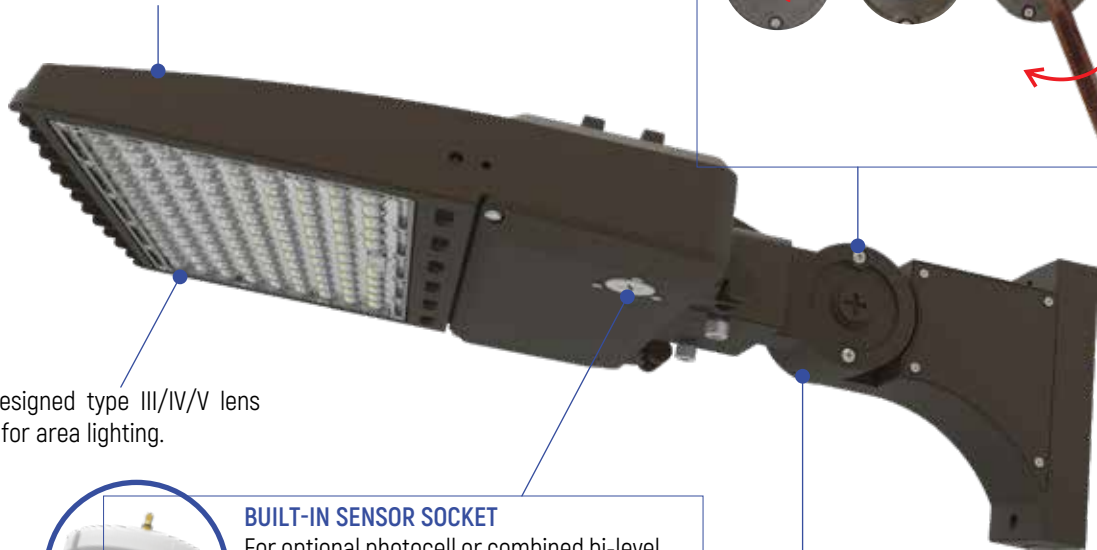
OPTICS

Accurate designed type III/IV/V lens specialized for area lighting.



BUILT-IN SENSOR SOCKET

For optional photocell or combined bi-level sensor and daylight sensor functions.



MOUNTING OPTIONS

