



T-1 LIGHTING

Project	Catalog #
Distributor	Type
Prepared by	Date



ARIA HIGH VOLTAGE SLIM AREA / FLOOD LIGHT SERIES

T1-SFLED

The **Aria Series** is an effective way to ensure that the surrounding areas of a facility are brightly illuminated. Ideal for exterior applications, the **Aria Series** is offered in several wattages, and color temperature packages along with several mounting options for wall or pole mounting.

SPECS

Model Number	Input Power	Color Temp	Input Voltage	Lumens	Efficacy	Temp	CRI
T1-SFLED/H/150-40-HV	150	40	120-277V	22650	151	-40°C ~ +40°C -40°F ~ +104°F	>70
T1-SFLED/H/150-50-HV		50		22800	152		
T1-SFLED/H/240-40-HV	240	40	High Voltage	36240	151		
T1-SFLED/H/240-50-HV		50		36480	152		
T1-SFLED/H/320-40-HV	320	40	480V Optional	48320	151		
T1-SFLED/H/320-50-HV		50		48000	150		

WARRANTY: FIVE YEAR PARTS



SERIES	WATTAGE	COLOR TEMP	VOLTAGE	DIMMING	LENS OPTIONS	CONTROLS	MOUNTING
T1-SFLED	/U/ 75	40	-HV			PCB	SF
T1-SFLED	75 75W 100 100W 150 150W 240 240W 320 320W	40 4000K 50 5000K	[Blank] 120V-277V HV 480V	[Blank] 0-10V	[Blank] Type III IV Type IV V Type V	PCB Button-style photocell PCT Twist-lock photocell MS Bi-level Micro-wave sensor PS Bi-level PIR sensor	AR Arm extension SF Slip fitter TR Trunion UB U-bracket

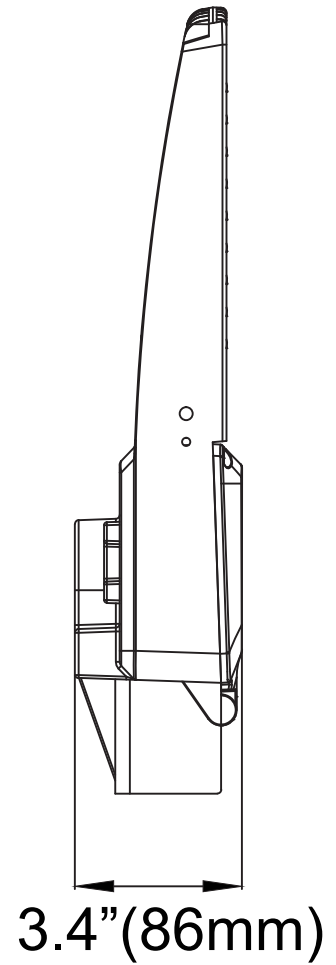
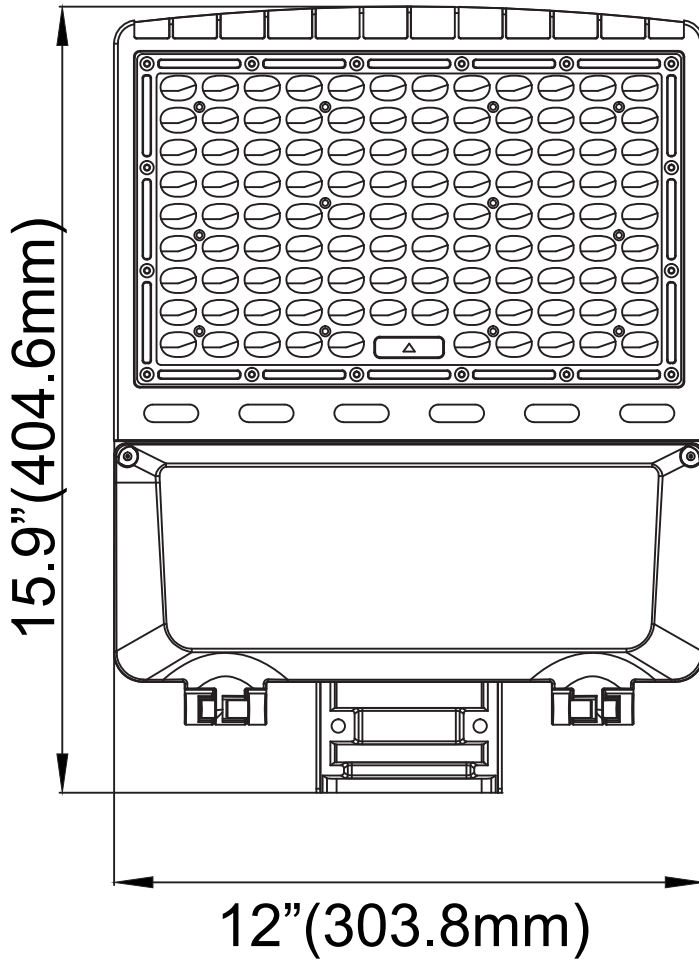
ORDERING OPTIONS



T-1 LIGHTING

ARIA
HIGH VOLTAGE SLIM AREA
/FLOOD LIGHT SERIES
T1-SFLED

DIMENSIONS





T-1 LIGHTING

ARIA

HIGH VOLTAGE SLIM AREA
/FLOOD LIGHT SERIES

T1-SFLED

MOUNTING DIAGRAM (CONT.)

Slipfitter Mounting

1. The slipfitter mounting fits a 2 3/8" O.D. Tenon. Place the slipfitter over the Tenon and secure the fixture with the Set Screws [2] on the side of the slipfitter.
2. Remove two screws on side of Round Cover Plate. Remove the Round Cover Plate and adjust the angle of the fixture.
3. Loosen the Locking Bolt and swivel fixture to desired angle.
4. Tighten the Locking Bolt and re-attach Round Cover Plate.

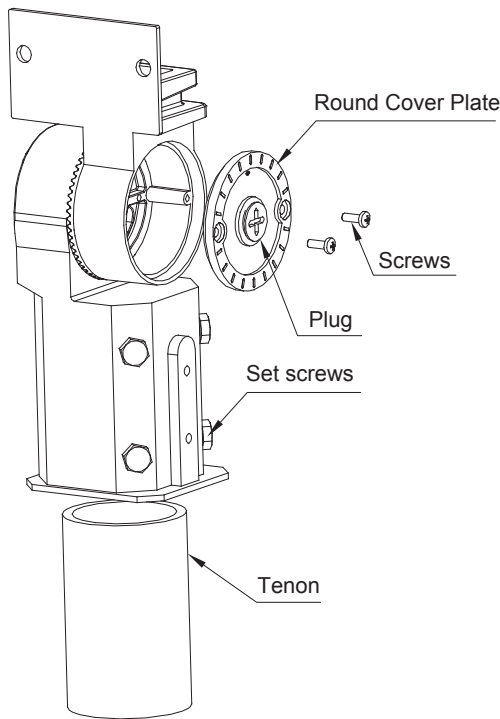


FIG.1

Trunnion Mounting

CAUTION: UL and C-UL listed or CSA certified liquid tight cord grip suitable for use with three conductor type STW flexible cord shall be used for connection to a wet location outlet box provided by others.

To adjust the angle of the fixture using the trunnion:

1. Loosen the Pivot Bolts & angle locking screw.
2. Adjust fixture to desired angle.
3. Tighten Pivot Bolts & angle locking screw.

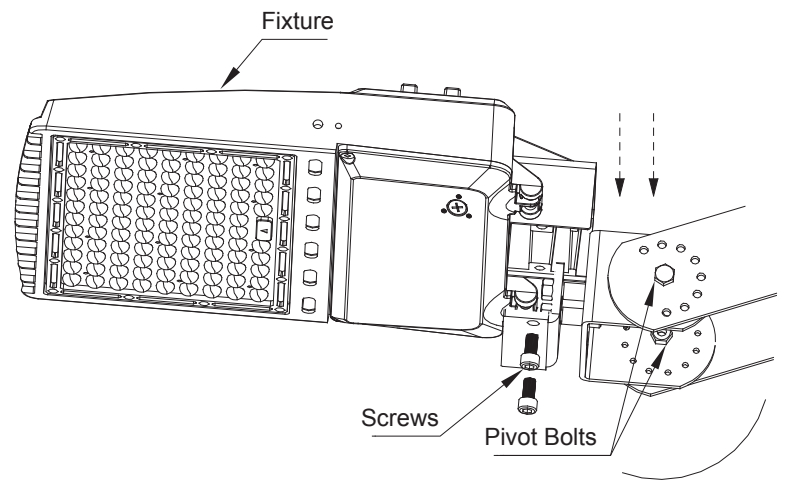


FIG.2

Adjustable Arm Mounting

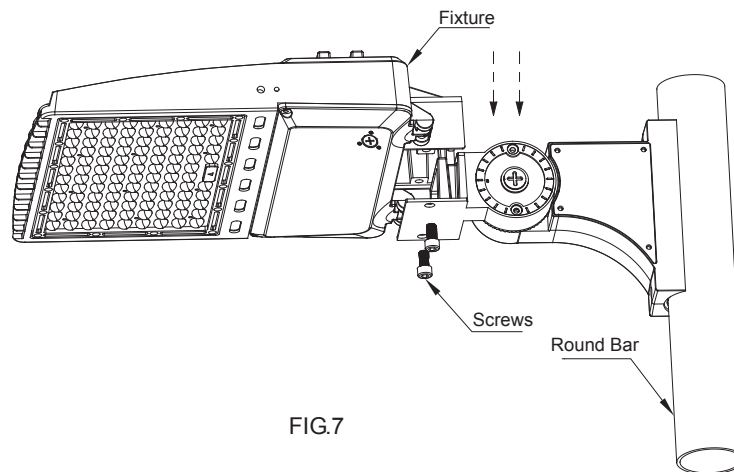
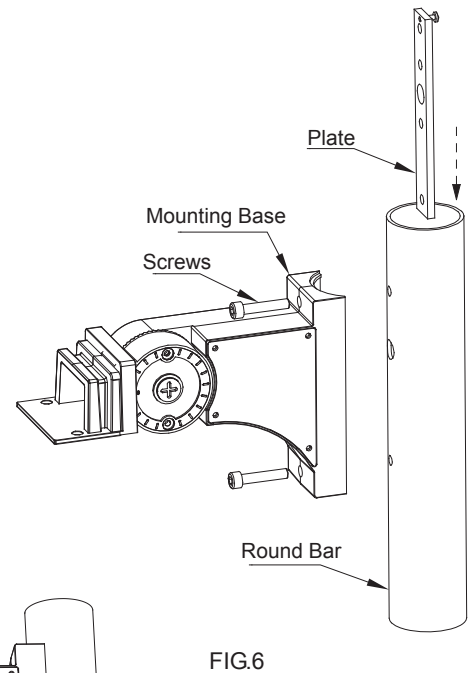
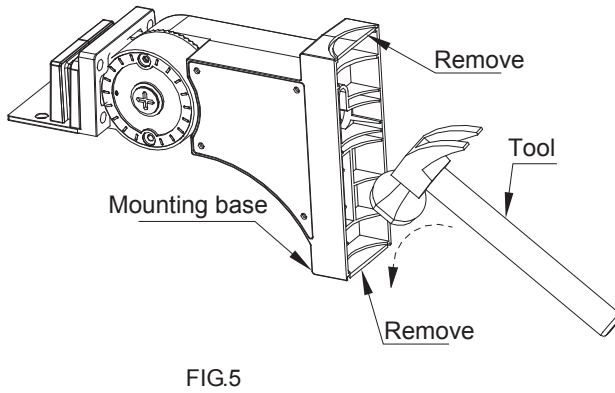
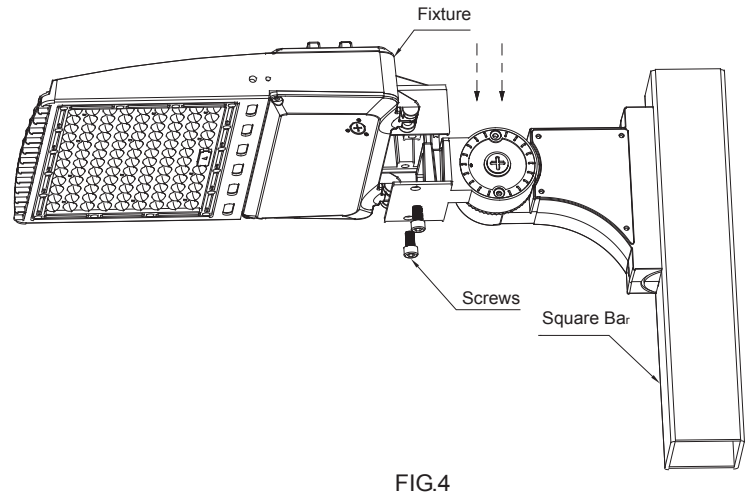
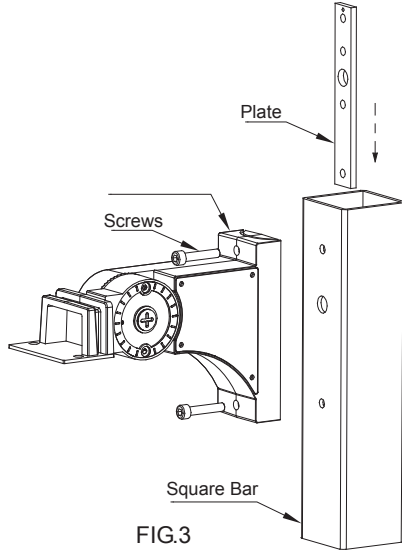
1. Install the arm base on the pole(See FIG.3), Need to make the base arc-shaped to fit the round pole(See FIG.5)
2. Connect the wires correctly.
3. Slide down the fixture into the arm base and screw the two safety screws(FIG.4)



T-1 LIGHTING

ARIA HIGH VOLTAGE SLIM AREA /FLOOD LIGHT SERIES T1-SFLED

MOUNTING DIAGRAM (CONT.)





T-1 LIGHTING

ARIA HIGH VOLTAGE SLIM AREA /FLOOD LIGHT SERIES

T1-SFLED

COMPONENTS

HOUSING

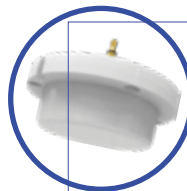
High pressure die casting aluminum power coating housing, with integral heat sink fins for excellent heat dissipation performance.

ADJUSTABLE ANGLE



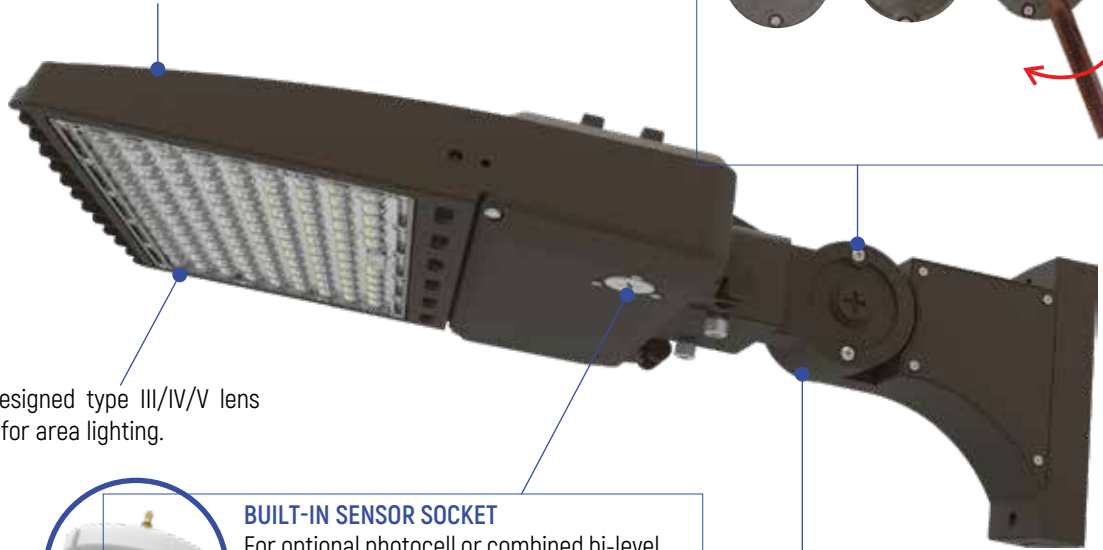
OPTICS

Accurate designed type III/IV/V lens specialized for area lighting.



BUILT-IN SENSOR SOCKET

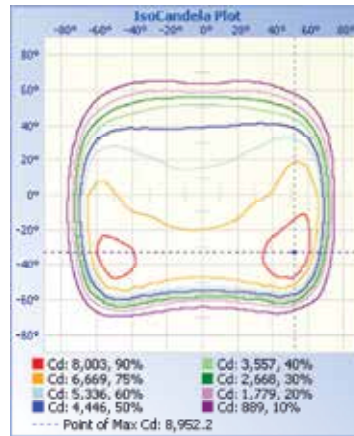
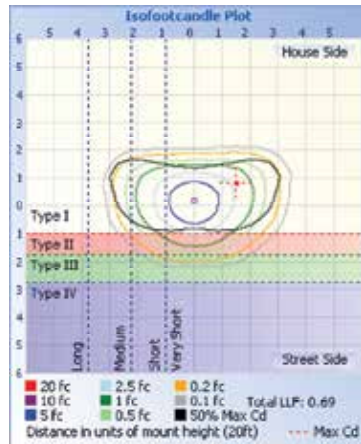
For optional photocell or combined bi-level sensor and daylight sensor functions.



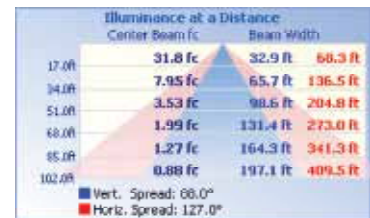
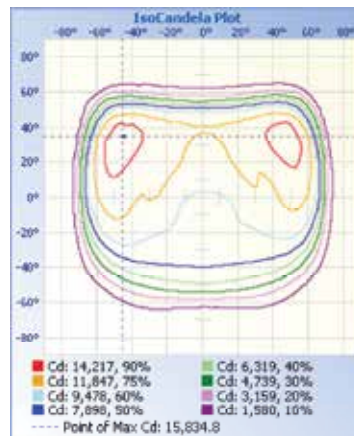
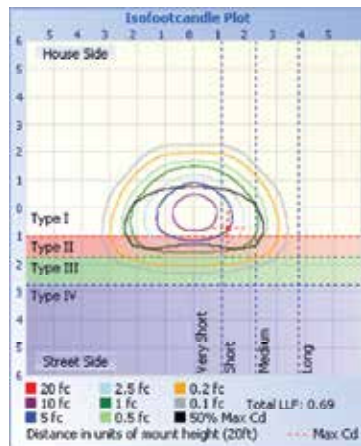
MOUNTING OPTIONS



PHOTOMETRIC DATA 150W



PHOTOMETRIC DATA 240W



PHOTOMETRIC DATA 320W

