



T-1 LIGHTING

Project	Catalog #
Distributor	Type
Prepared by	Date



Premium

WRAPS

WRAPAROUND SERIES

T1-PWALED

The Wraps Series provides uniformed bright light distribution and energy savings. These LED Premium wraparound fixtures are optional solutions for parking garages, workshops, kitchens, offices, hallways and stairways. The Wraps Series is designed with smooth curved edges to give any space a clean and modern look. It is powered with high efficacy LED drivers to get the most energy savings compared to fluorescent fixtures. Offered in 4' length with multi-watt and multi-CCT feature, this series is a perfect creation of form and function.

SPECS

T1-PWALED2

Model Number	Input Power	Color Temp	Input Voltage	Lumens	Efficacy	Temp	CRI	PG
T1-PWALED2/U/23-35	23W	35	120-277V	2962	129	-40°C ~ +40°C -40°F ~ +104°F	>80	IP20
T1-PWALED2/U/23-40		40		3001	131			
T1-PWALED2/U/23-50		50		3026	132			
T1-PWALED2/U/34-35	34W	35		4396	129			
T1-PWALED2/U/34-40		40		4450	131			
T1-PWALED2/U/34-50		50		4495	132			

T1-PWALED4

Model Number	Input Power	Color Temp	Input Voltage	Lumens	Efficacy	Temp	CRI	PG
T1-PWALED4/U/34-35	34W	35	120-277V	4505	133	-40°C ~ +40°C -40°F ~ +104°F	>80	IP20
T1-PWALED4/U/34-40		40		4542	134			
T1-PWALED4/U/34-50		50		4549	134			
T1-PWALED4/U/46-35	46W	35		6003	131			
T1-PWALED4/U/46-40		40		6085	132			
T1-PWALED4/U/46-50		50		6127	134			
T1-PWALED4/U/68-35	68W	35		8846	130			
T1-PWALED4/U/68-40		40		8955	132			
T1-PWALED4/U/68-50		50		9016	133			

WARRANTY: SEVEN YEAR PARTS AND FIVE YEAR LABOR
 *THIS PRODUCT LUMENS ARE MEASURED AT 3500K





T-1 LIGHTING

WRAPS

Premium

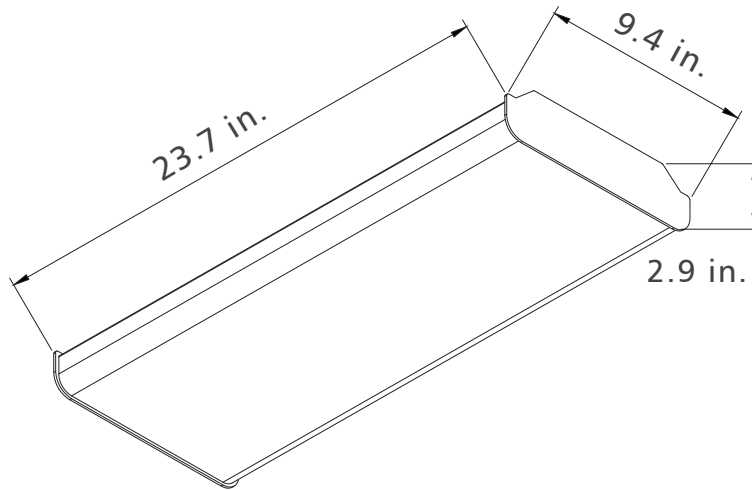
WRAPAROUND SERIES

T1-PWALED

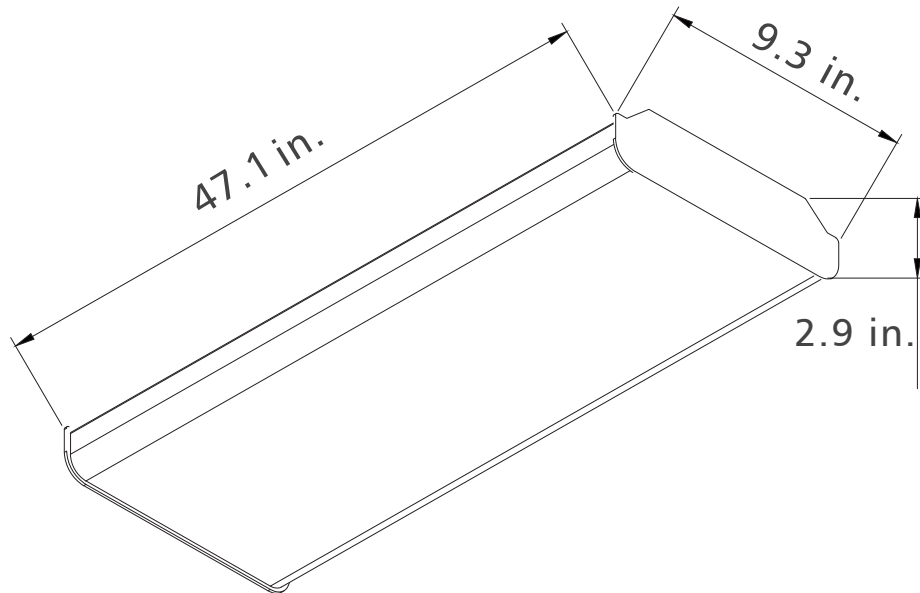
ORDERING
OPTIONS

SERIES	FORM FACTOR	WATTAGE	COLOR TEMP	BACKUP	CONTROLS
T1-PWALED	2	/U/23	-35	-EM	-MS
T1-PWALED	2 2'	23 23W	35 3500K	(BLANK) EM	None Emergency Battery Backup
	4 4'	34 34W	40 4000K		
		46 46W	50 5000K		
		68 68W			
					OS On/off Motion sensor DL Daylight harvesting sensor MS Step Dimming

T1-PWALED2



T1-PWALED4



DIMENSIONS



T-1 LIGHTING

WRAPS

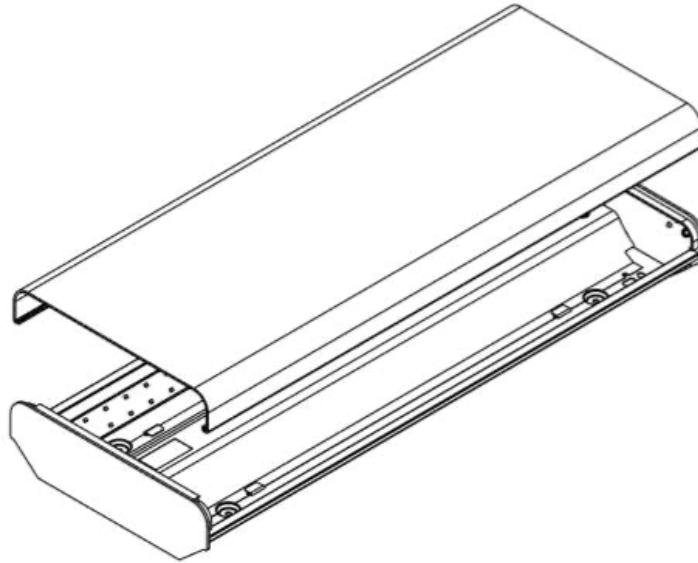
Premium

WRAPAROUND SERIES

T1-PWALED

DIMENSIONS

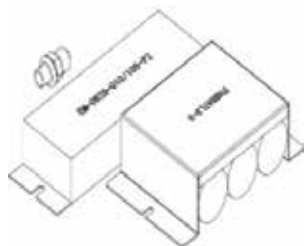
LENS COVER



BACK



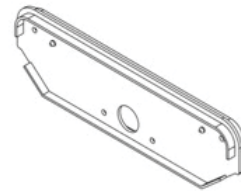
AIRCRAFT
CABLE



BACKUP
PACK



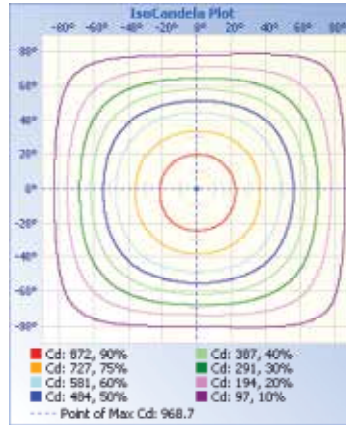
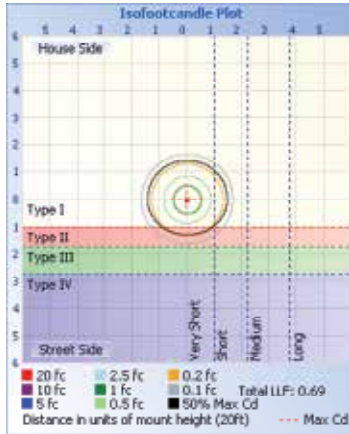
MOTION
SENSOR



JOINER
BRACKET

ACCESSORIES

PHOTOMETRIC DATA 23W 2FT

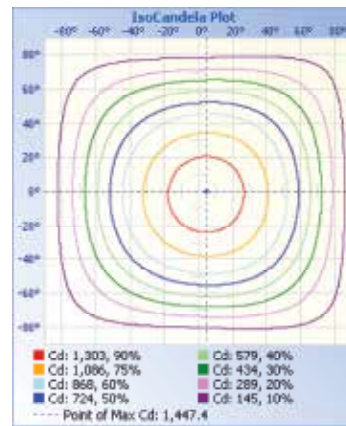


Illuminance at a Distance

Center Beam fc	Beam Width
17.0ft	3.35 fc 45.5 ft 49.1 ft
34.0ft	0.84 fc 31.1 ft 98.2 ft
51.0ft	0.37 fc 136.6 ft 147.3 ft
68.0ft	0.21 fc 182.2 ft 196.4 ft
85.0ft	0.13 fc 227.7 ft 245.5 ft
102.0ft	0.09 fc 273.3 ft 294.6 ft

■ Vert. Spread: 106.5°
■ Horiz. Spread: 110.6°

PHOTOMETRIC DATA 34W 2FT

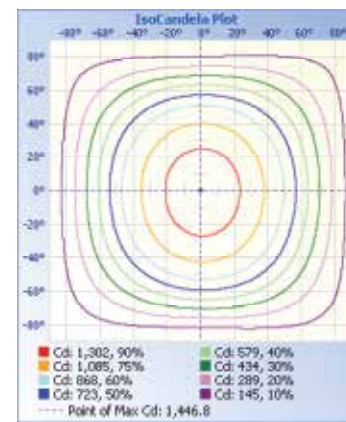
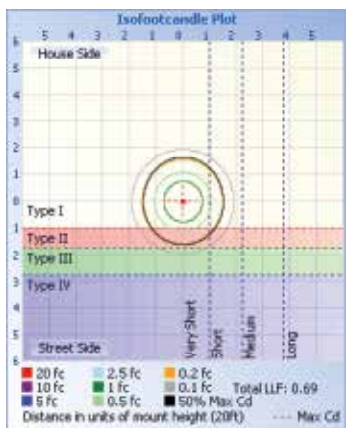


Illuminance at a Distance

Center Beam fc	Beam Width
17.0ft	4.98 fc 46.7 ft 49.3 ft
34.0ft	1.24 fc 33.3 ft 98.6 ft
51.0ft	0.55 fc 140.0 ft 148.0 ft
68.0ft	0.31 fc 186.7 ft 197.3 ft
85.0ft	0.20 fc 233.3 ft 246.6 ft
102.0ft	0.14 fc 280.0 ft 295.9 ft

■ Vert. Spread: 107.8°
■ Horiz. Spread: 110.8°

PHOTOMETRIC DATA 34W 4FT



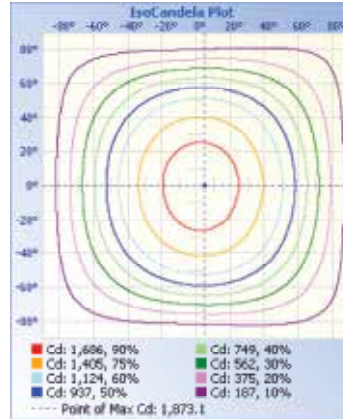
Illuminance at a Distance

Center Beam fc	Beam Width
17.0ft	5.01 fc 55.0 ft 49.3 ft
34.0ft	1.25 fc 109.9 ft 98.6 ft
51.0ft	0.56 fc 164.9 ft 148.0 ft
68.0ft	0.31 fc 219.9 ft 197.3 ft
85.0ft	0.20 fc 274.8 ft 246.6 ft
102.0ft	0.14 fc 329.8 ft 295.9 ft

■ Vert. Spread: 116.5°
■ Horiz. Spread: 110.8°

PHOTOMETRIC DATA

PHOTOMETRIC DATA 46W 4FT

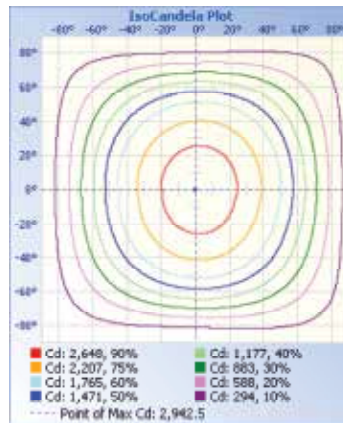
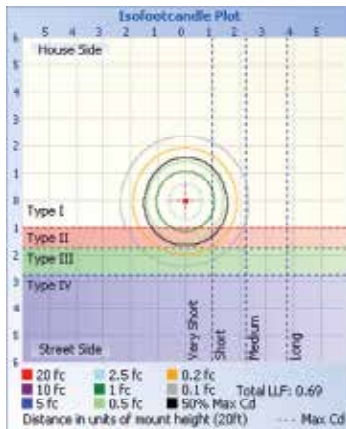


Illuminance at a Distance

Center Beam f.c.	Beam Width
17.0ft	54.8 ft 49.2 ft
34.0ft	109.7 ft 98.3 ft
51.0ft	164.5 ft 147.5 ft
68.0ft	219.3 ft 196.6 ft
85.0ft	274.2 ft 245.8 ft
102.0ft	329.0 ft 294.9 ft

■ Vert. Spread: 116.4°
 ■ Horiz. Spread: 110.7°

PHOTOMETRIC DATA 68W 4FT



Illuminance at a Distance

Center Beam f.c.	Beam Width
17.0ft	54.2 ft 48.5 ft
34.0ft	108.3 ft 97.0 ft
51.0ft	162.5 ft 145.5 ft
68.0ft	216.6 ft 194.0 ft
85.0ft	270.8 ft 242.5 ft
102.0ft	324.9 ft 291.0 ft

■ Vert. Spread: 115.8°
 ■ Horiz. Spread: 109.9°

PHOTOMETRIC DATA