



T-1 LIGHTING

Project	Catalog #
Distributor	Type
Prepared by	Date



ALPHA LINEAR HIGH BAY SERIES

T1-HBLED

The Alpha Series is our high-wattage LED high bay fixtures built with upgraded LED chips and a slimmer construction. This series comes in 221W and 321W packages. Precision-designed optics, multiple distributions, and a choice of lumen outputs and color temperatures make the energy-efficient Alpha Series the ideal solution for industrial, commercial and other high bay applications.

SPECS

Model Number	Input Power	Color Temp	Input Voltage	Lumens	Efficacy	Temp	CRI	IP
T1-HBLED/B/221	221	40	120-277V	30144	136	-40°C ~ +40°C -40°F ~ +104°F	>80	20
		50		30189	136			
T1-HBLED/B/321	321	40		43817	137			
		50		44041	137			

WARRANTY: SEVEN YEAR PARTS AND FIVE YEAR LABOR



SERIES	WATTAGE	COLOR TEMP	VOLTAGE	DIMMING	LENS OPTIONS	ACCESSORIES	CONTROLS
T1-HBLED	/B/ 221					PK	OS
T1-HBLED	221 221W 321 321W	40 4000K 50 5000K	[Blank] 120V-277V 480 480V	[Blank] 0-10V BD Bi-Level dimming	[Blank] Frosted CL Clear	[Blank] V-hooks & chains 36" PK Pendant mounting kit AC Aircraft cable CD(X) SO cord (per foot)	OS On/Off PIR high bay motion sensor DL Daylight harvesting SDS Step dimming PIR motion & daylight sensor SDT 480V step down transformer EM Emergency battery backup, 90 mins

ORDERING OPTIONS



T-1 LIGHTING

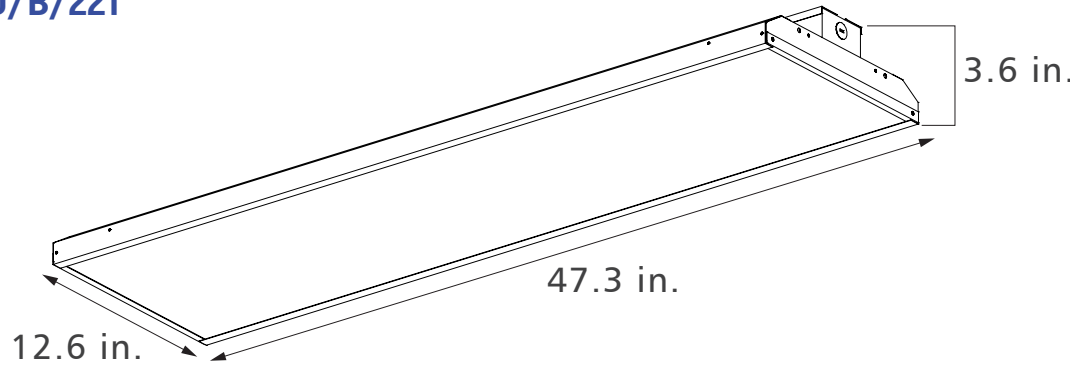
ALPHA

LINEAR HIGH BAY SERIES

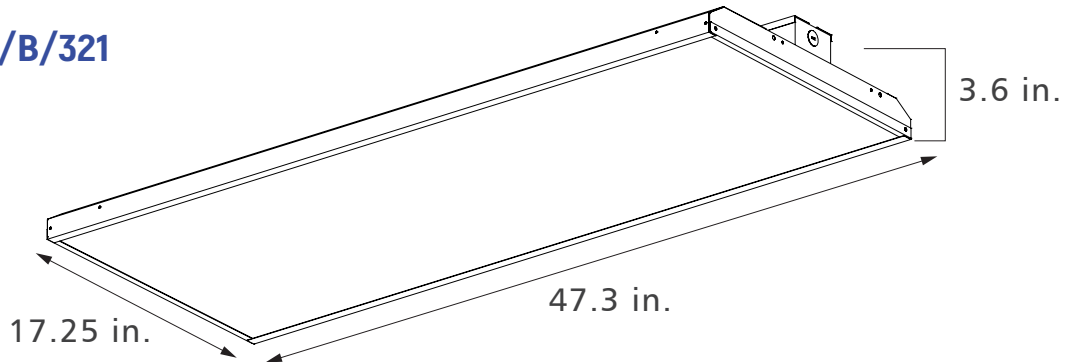
T1-HBLED

DIMENSIONS

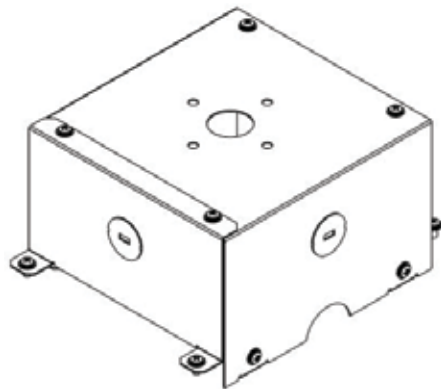
T1-HBLED/B/221



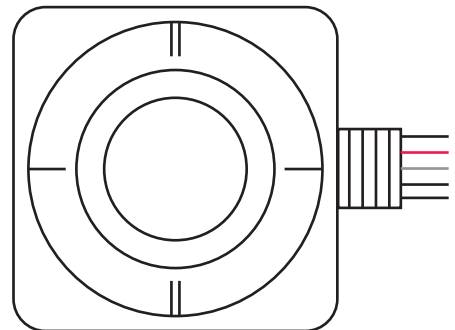
T1-HBLED/B/321



V-Hook & Chain

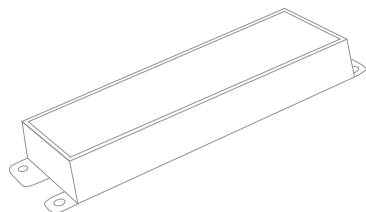


Pendent Mount kit

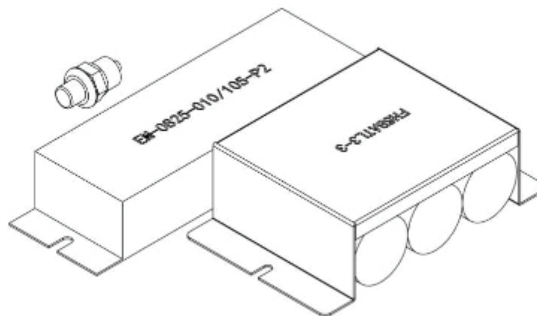


Sensor

ACCESSORIES

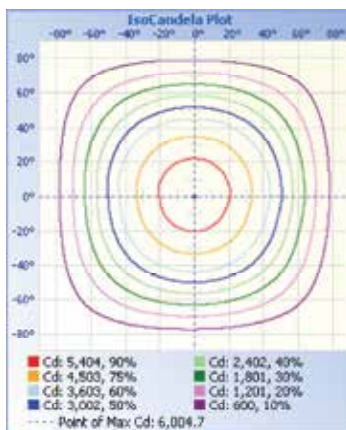
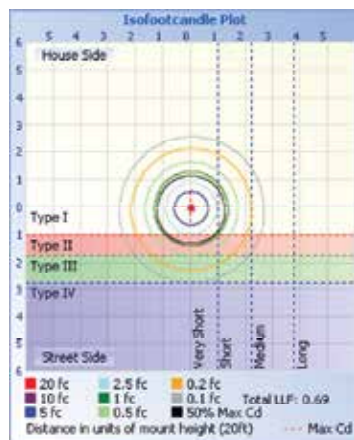


Stepdown Transformer



Emergency Battery Pack

PHOTOMETRIC DATA 111W

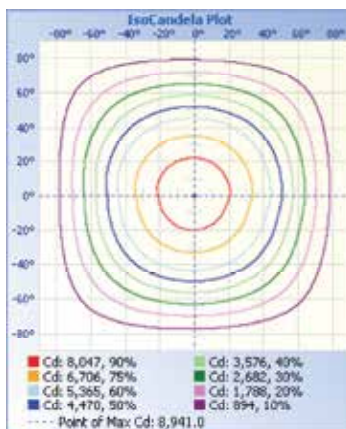
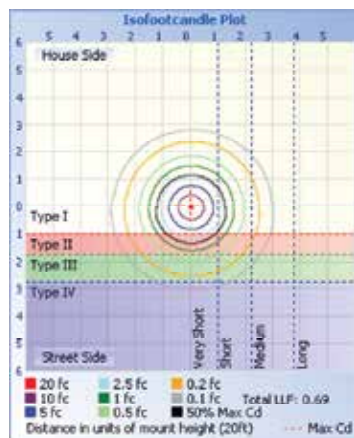


Illuminance at a Distance

Center Beam fc	Beam Width
17.8ft	20.8 fc 41.8 ft 41.0 ft
34.8ft	5.19 fc 83.6 ft 81.9 ft
51.8ft	2.31 fc 125.4 ft 122.9 ft
68.8ft	1.50 fc 167.2 ft 163.9 ft
85.8ft	0.83 fc 209.0 ft 204.9 ft
102.8ft	0.58 fc 250.9 ft 245.0 ft

Vert. Spread: 101.6°
 Horiz. Spread: 100.6°

PHOTOMETRIC DATA 161W

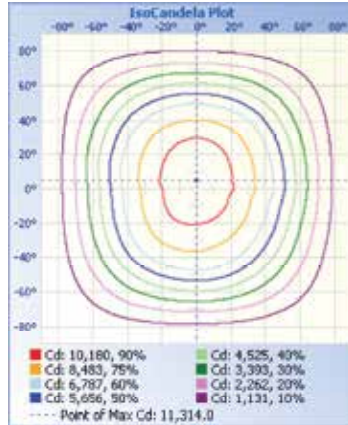
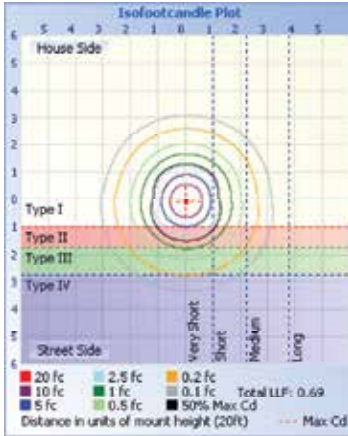


Illuminance at a Distance

Center Beam fc	Beam Width
17.8ft	30.9 fc 41.9 ft 41.5 ft
34.8ft	7.73 fc 83.8 ft 83.0 ft
51.8ft	3.44 fc 125.8 ft 124.5 ft
68.8ft	1.93 fc 167.7 ft 166.0 ft
85.8ft	1.24 fc 209.5 ft 207.5 ft
102.8ft	0.86 fc 251.5 ft 249.0 ft

Vert. Spread: 101.9°
 Horiz. Spread: 101.4°

PHOTOMETRIC DATA 221W

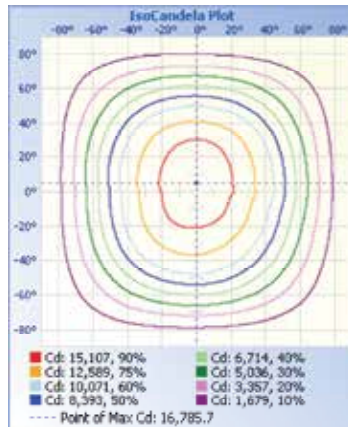
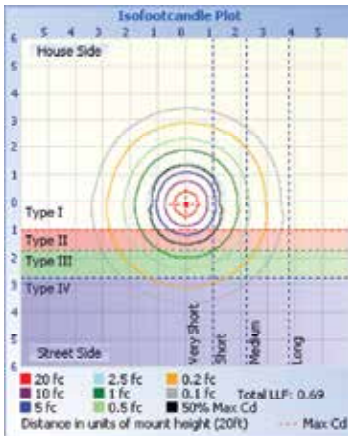


Illuminance at a Distance

Center Beam fc	Beam Width
39.1 fc	47.7 ft 41.4 ft
9.77 fc	95.4 ft 82.8 ft
4.34 fc	143.1 ft 124.2 ft
2.44 fc	190.8 ft 165.6 ft
1.56 fc	238.5 ft 207.1 ft
1.09 fc	286.2 ft 248.5 ft

■ Vert. Spread: 109.0°
 ■ Horiz. Spread: 101.2°

PHOTOMETRIC DATA 321W



Illuminance at a Distance

Center Beam fc	Beam Width
58.0 fc	48.3 ft 42.2 ft
14.5 fc	96.5 ft 84.5 ft
6.44 fc	144.9 ft 126.7 ft
3.62 fc	193.3 ft 168.9 ft
2.32 fc	241.6 ft 211.1 ft
1.61 fc	289.9 ft 253.4 ft

■ Vert. Spread: 109.7°
 ■ Horiz. Spread: 102.3°

PHOTOMETRIC DATA