



T-1 LIGHTING

Project	Catalog #
Distributor	Type
Prepared by	Date



VUE

G2 VAPOR TIGHT SERIES

T1-G2VTLED

The Vue Series is our new generation vapor tight fixture with the revolutionary multi-watt and multi-CCT feature. The field adjustable multi-watt, multi-color dip switch on the driver allows you to change the wattage and color temperature according to your project's needs. This series is IP65 and IK08 rated. This is particularly ideal for food & beverage factories, refrigerated storage rooms, underground parking and tunnels. This series comes in 2-foot, 4-foot and 8-foot packages. The Vue Series is linkable. V-hooks and J-adaptors are included.

SPECS

Model Number	Input Power	Color Temp	Input Voltage	Lumens	Efficacy	Temp	CRI	IP
T1-G2VTLED2/U/MW30-MCCT	Multi-Watt 10/20/30W	MCCT	120-277V	3939	131	-40°C ~ +40°C -40°F ~ +104°F	>80	65
				4140	138			
				4050	135			
T1-G2VTLED4/U/MW50-MCCT	Multi-Watt 23/35/50W			6580	132			
				6950	139			
				6800	136			
T1-G2VTLED4/U/MW60-MCCT	Multi-Watt 35/50/60W			7992	136			
				8520	142			
				8220	137			
T1-G2VTLED8/U/MW90-MCCT	Multi-Watt 60/75/90W			11898	132			
				12510	139			
				12240	136			

WARRANTY: SEVEN YEAR PARTS AND FIVE YEAR LABOR





T-1 LIGHTING

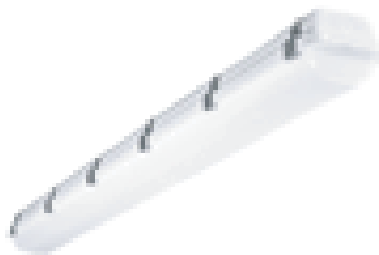
VUE
VAPOR TIGHT SERIES
T1-G2VTLED

ORDERING OPTIONS

SERIES	FORM FACTOR	WATTAGE	COLOR TEMP	VOLTAGE	DIMMING	Backup	CONTROLS
T1-G2VTLED	2/U/	MW30	MCCT			EM	MS
T1-G2VTLED	2 2' 4 4' 8 8'	2' MW30 10/20/30W 4' MW50 25/35/50W MW60 35/50/60W 8' MW90 60/75/90W	MCCT 3500K 4000K 5000K	[Blank] 120V-277V	[Blank] 0-10V	[Blank] None EM Emergency Battery Backup	[Blank] None MS Motion Sensor



2 ft.

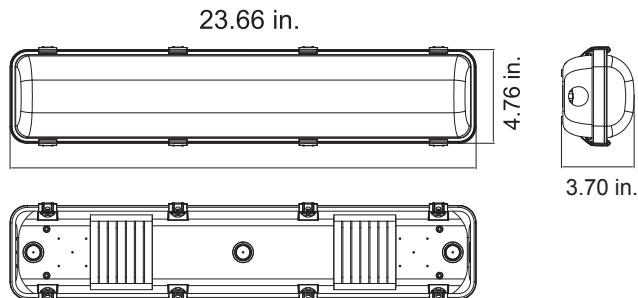


4 ft.



8 ft.

T1-G2VTLED2/U/MW30-MCCT



DIMENSIONS

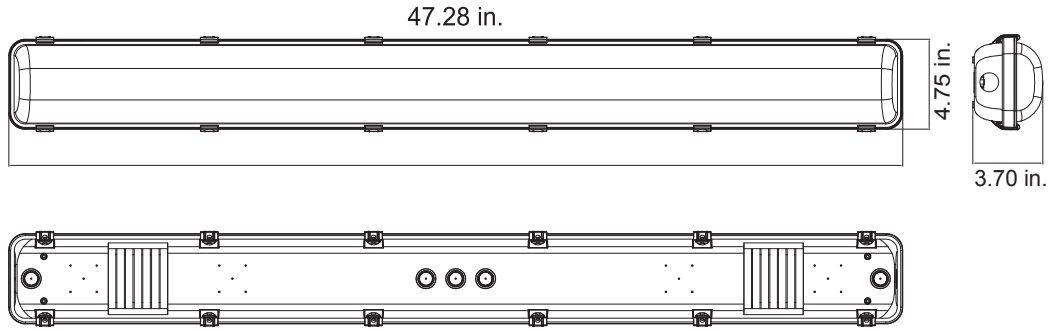


T-1 LIGHTING

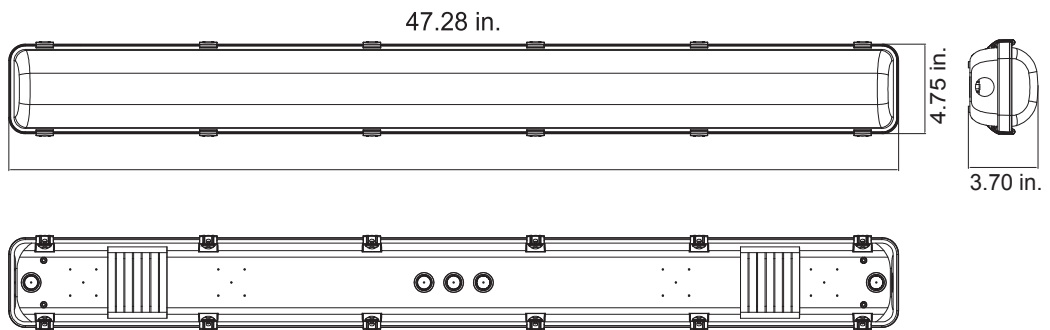
VUE
VAPOR TIGHT SERIES
T1-G2VTLED

DIMENSIONS

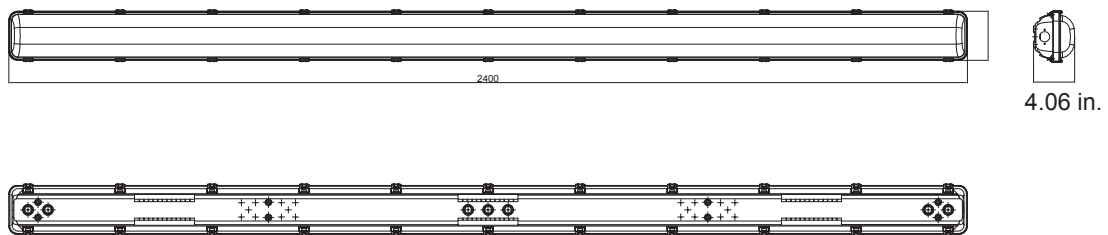
T1-G2VTLED4/U/MW50-MCCT



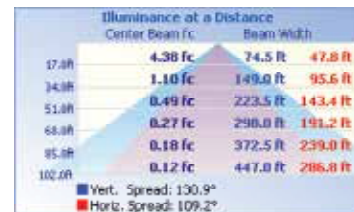
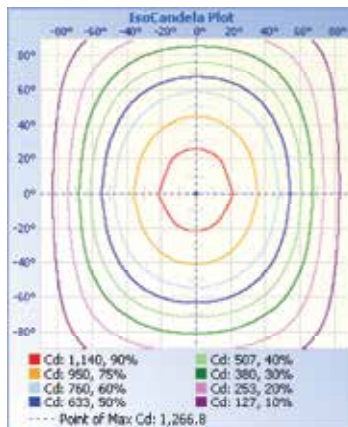
T1-G2VTLED4/U/MW60-MCCT



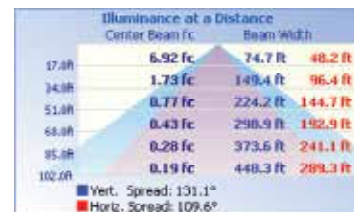
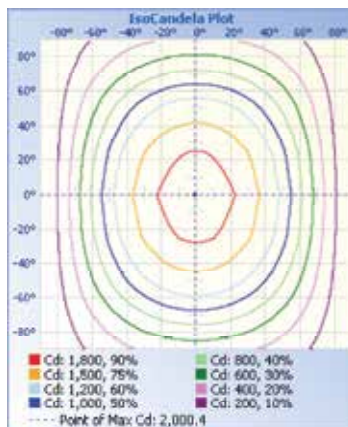
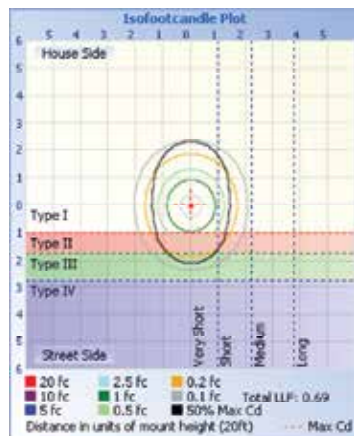
T1-G2VTLED8/U/MW90-MCCT



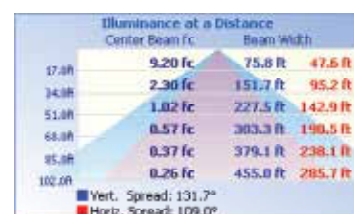
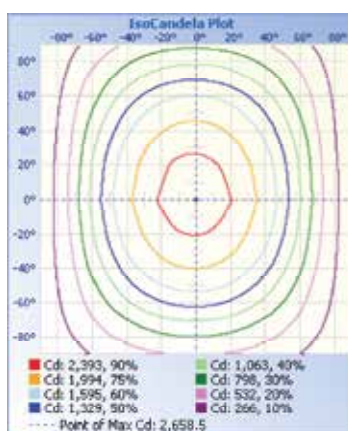
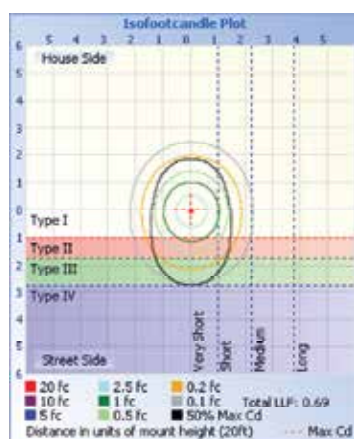
PHOTOMETRIC DATA MW30W



PHOTOMETRIC DATA MW50W



PHOTOMETRIC DATA MW60W



PHOTOMETRIC DATA