



T-1 LIGHTING

Project	Catalog #
Distributor	Type
Prepared by	Date



G2 LINUS LINEAR HIGH BAY SERIES T1-G2HBLED

The Linus Series is our 2nd generation of LED high bay fixtures built with upgraded LED chips and a slimmer construction. Precision-designed optics, multiple distributions, and a choice of lumen outputs and color temperatures makes the energy-efficient Linus Series the ideal solution for industrial, commercial, and other high bay applications.

SPECS

Model Number	Input Power	Color Temp	Input Voltage	Lumens	Efficacy	Temp	CRI	IP
T1-G2HBLED/U/90-40	90	40	120-277V High Voltage 480V Optional	12168	135.2	-40°C ~ +40°C -40°F ~ +104°F	>80	20
T1-G2HBLED/U/90-50		50		12267	136.3			
T1-G2HBLED/U/111-40	111	40		14596	131.5			
T1-G2HBLED/U/111-50		50		14718	132.6			
T1-G2HBLED/U/135-40	135	40		17901	132.6			
T1-G2HBLED/U/135-50		50		18063	133.8			
T1-G2HBLED/U/161-40	161	40		21123	131.2			
T1-G2HBLED/U/161-50		50		21203	131.7			
T1-G2HBLED/U/178-40	178	40		23531	132.2			
T1-G2HBLED/U/178-50		50		23745	133.4			
T1-G2HBLED/U/221-40	221	40		29547	133.7			
T1-G2HBLED/U/221-50		50		30333	135.9			
T1-G2HBLED/U/321-40	321	40	43110	134.3				
T1-G2HBLED/U/321-50		50	43656	136				

WARRANTY: SEVEN YEAR PARTS AND FIVE YEAR LABOR



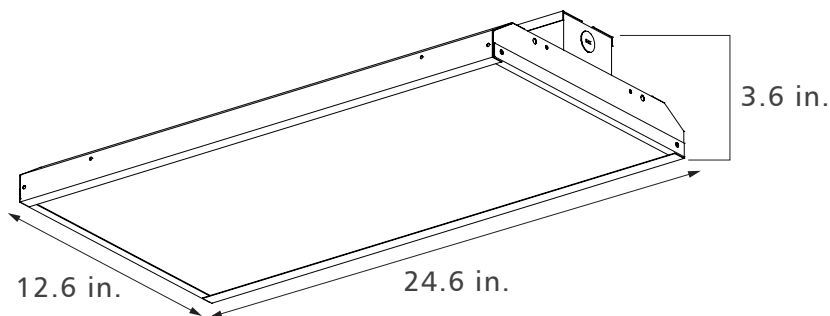
SERIES	WATTAGE	COLOR TEMP.	LENS DIFFUSER	ACCESSORIES	CONTROLS
T1-G2HBLED	90	40		PK	OS
T1-G2HBLED	90 90W 111 111W 135 135W 161 161W 178 178W 221 221W 321 321W	40 4000K 50 5000K	[Blank] Frosted CL Clear	[Blank] V-Hooks & Chains 36" WG Wire Guard PK Pendant Mounting Kit AC Aircraft Cable CD[X] SO Cord (per foot)	OS On/Off PIR High Bay Motion Sensor DL Daylight Harvesting SDS Step Dimming PIR Motion & Daylight Harvesting SDT 480V Step Down Transformer EM Emergency Battery Backup, 90 mins

T1-G2HBLED/U/90

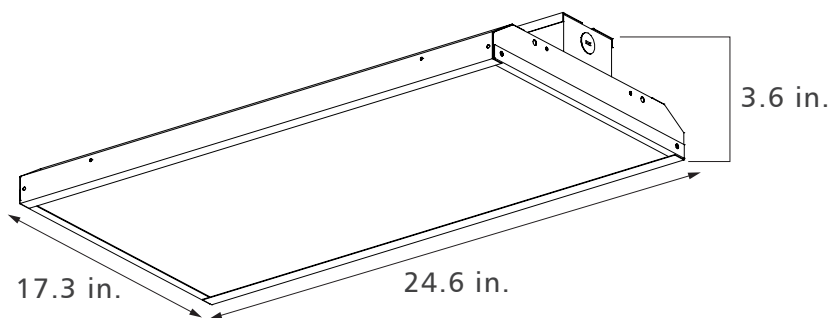
T1-G2HBLED/U/111

T1-G2HBLED/U/135

T1-G2HBLED/U/161

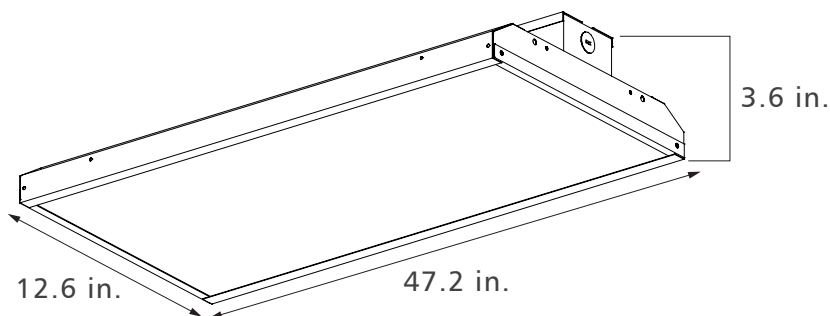


T1-G2HBLED/U/178



T1-G2HBLED/U/221

T1-G2HBLED/U/321





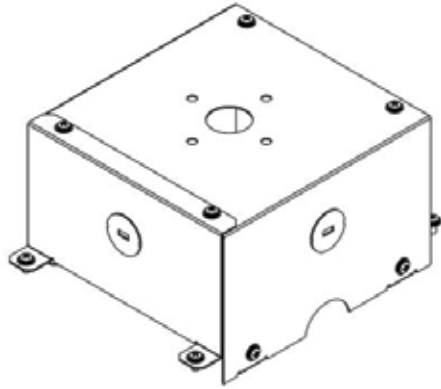
T-1 LIGHTING

LINUS
G2LINEAR HIGH BAY SERIES
T1-G2HBLED

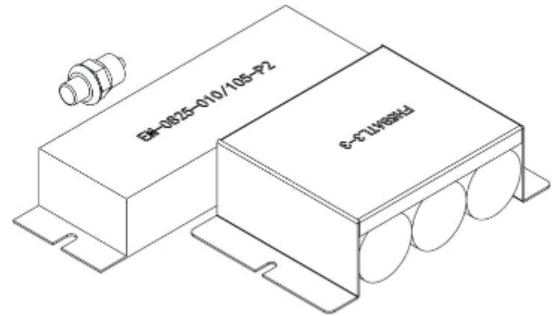
ACCESSORIES



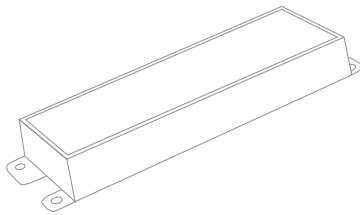
V-Hook & Chain



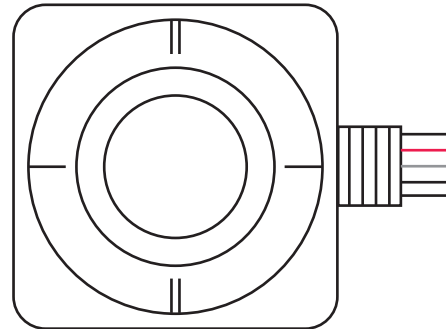
Pendent Mount kit



Emergency Battery Pack

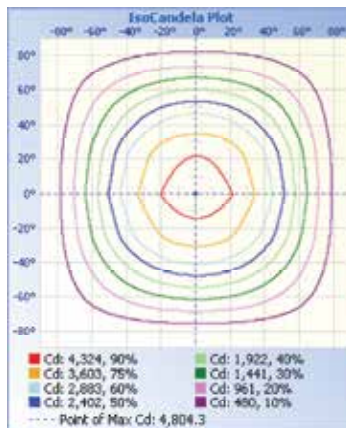


Stepdown Transformer



Sensor

PHOTOMETRIC DATA 90W



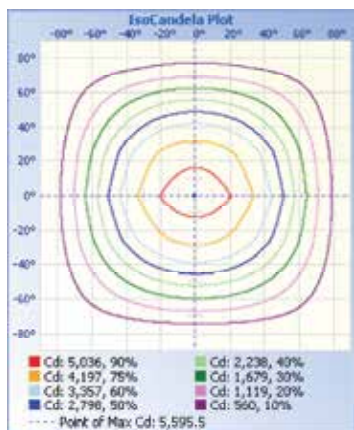
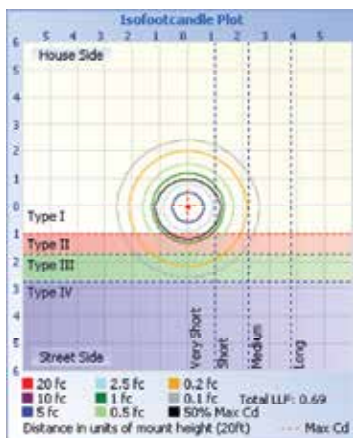
Illuminance at a Distance

Center Beam Fc	Beam Width
17.0ft	16.6 fc 41.2 ft 41.9 ft
34.0ft	4.16 fc 82.4 ft 83.8 ft
51.0ft	1.85 fc 123.7 ft 125.8 ft
68.0ft	1.04 fc 164.9 ft 167.7 ft
85.0ft	0.66 fc 206.1 ft 209.6 ft
102.0ft	0.46 fc 247.3 ft 251.5 ft

Vert. Spread: 101.0°
Horiz. Spread: 101.9°

PHOTOMETRIC DATA

PHOTOMETRIC DATA 111W

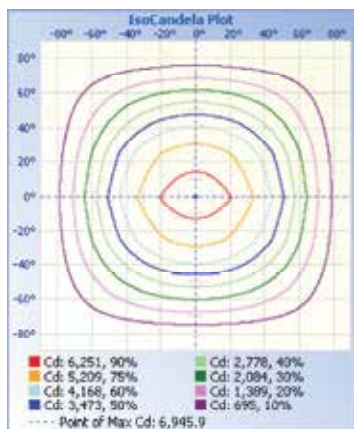
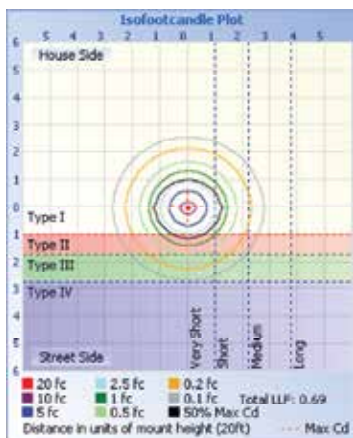


Illuminance at a Distance

Center Beam Hc	Beam Width
17.0ft	19.4 fc 36.7 ft 41.7 ft
34.0ft	4.84 fc 73.4 ft 83.5 ft
51.0ft	2.15 fc 110.1 ft 125.2 ft
68.0ft	1.21 fc 146.8 ft 166.9 ft
85.0ft	0.77 fc 183.5 ft 208.7 ft
102.0ft	0.54 fc 220.2 ft 250.4 ft

Vert. Spread: 94.4°
 Horiz. Spread: 101.7°

PHOTOMETRIC DATA 135W

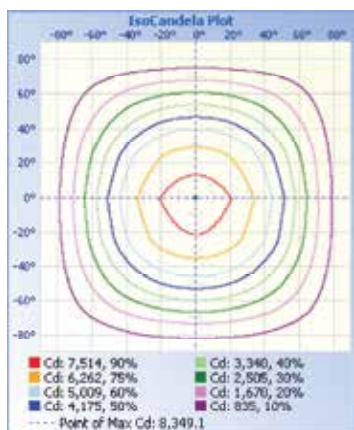
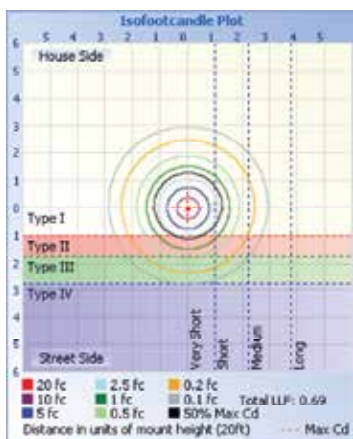


Illuminance at a Distance

Center Beam Hc	Beam Width
17.0ft	24.0 fc 36.3 ft 42.1 ft
34.0ft	6.01 fc 72.6 ft 84.2 ft
51.0ft	2.67 fc 108.9 ft 126.3 ft
68.0ft	1.58 fc 145.2 ft 168.5 ft
85.0ft	0.96 fc 181.5 ft 210.6 ft
102.0ft	0.67 fc 217.8 ft 252.7 ft

Vert. Spread: 93.7°
 Horiz. Spread: 102.2°

PHOTOMETRIC DATA 161W



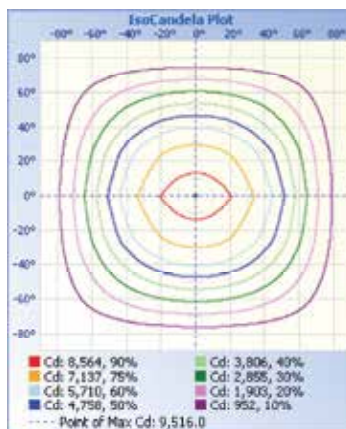
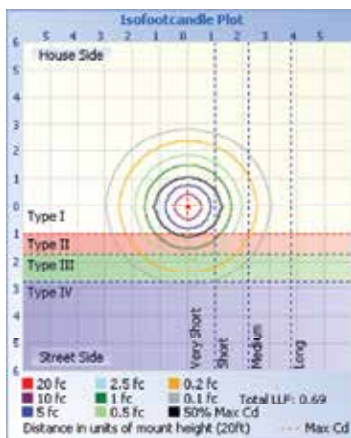
Illuminance at a Distance

Center Beam Hc	Beam Width
17.0ft	28.9 fc 40.4 ft 42.4 ft
34.0ft	7.22 fc 60.8 ft 84.8 ft
51.0ft	3.21 fc 121.2 ft 173.2 ft
68.0ft	1.81 fc 161.6 ft 169.6 ft
85.0ft	1.16 fc 202.1 ft 212.1 ft
102.0ft	0.80 fc 242.5 ft 254.5 ft

Vert. Spread: 99.8°
 Horiz. Spread: 102.6°

PHOTOMETRIC DATA

PHOTOMETRIC DATA 178W

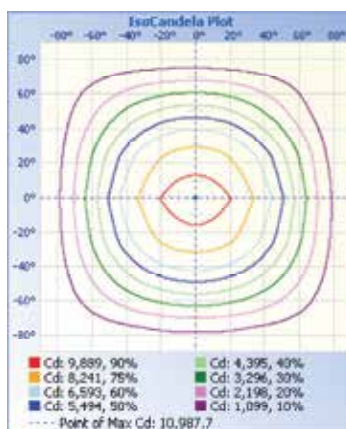


Illuminance at a Distance

Center Beam fc	Beam Width
17.0ft	32.9 fc 36.5 ft 42.3 ft
34.0ft	8.23 fc 73.1 ft 84.6 ft
51.0ft	3.66 fc 109.6 ft 126.9 ft
68.0ft	2.06 fc 146.1 ft 169.2 ft
85.0ft	1.32 fc 182.6 ft 211.4 ft
102.0ft	0.91 fc 219.2 ft 253.7 ft

■ Vert. Spread: 94.1°
 ■ Horiz. Spread: 102.4°

PHOTOMETRIC DATA 221W

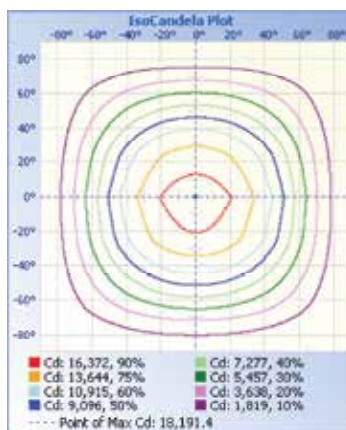
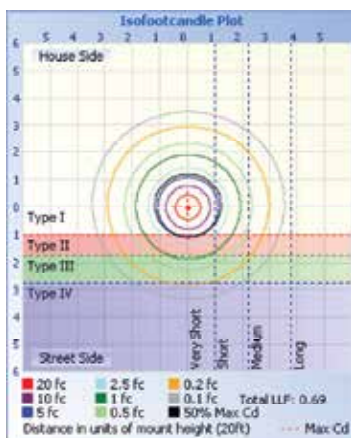


Illuminance at a Distance

Center Beam fc	Beam Width
17.0ft	38.0 fc 37.5 ft 41.7 ft
34.0ft	9.50 fc 75.0 ft 83.5 ft
51.0ft	4.22 fc 112.5 ft 125.2 ft
68.0ft	2.30 fc 150.0 ft 167.0 ft
85.0ft	1.52 fc 187.5 ft 208.7 ft
102.0ft	1.06 fc 225.0 ft 250.4 ft

■ Vert. Spread: 95.6°
 ■ Horiz. Spread: 101.7°

PHOTOMETRIC DATA 321W



Illuminance at a Distance

Center Beam fc	Beam Width
17.0ft	62.9 fc 38.9 ft 41.9 ft
34.0ft	15.7 fc 77.8 ft 83.7 ft
51.0ft	6.99 fc 116.7 ft 125.6 ft
68.0ft	3.93 fc 155.7 ft 167.5 ft
85.0ft	2.52 fc 194.6 ft 209.3 ft
102.0ft	1.75 fc 233.5 ft 251.2 ft

■ Vert. Spread: 97.7°
 ■ Horiz. Spread: 101.8°