

Project	Catalog #
Distributor	Type
Prepared by	Date



# Canopy Light

## T1-CPLED10

The **Canopy Series** light is a special design for application in places like parking garages, car ports, driveways, underpasses, and more. Advective grooves between fins are good for heat dissipation. Professional light distribution technique, high light reflectivity reflectors, and 140° beam angle are available. Light transmission rate of lens is over 90%. It complies with UL certification and is safe and reliable.

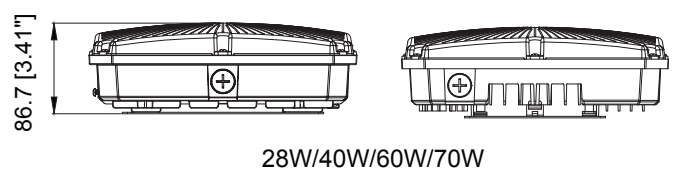
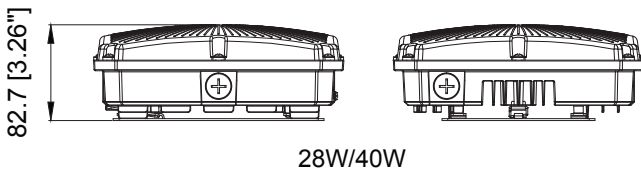
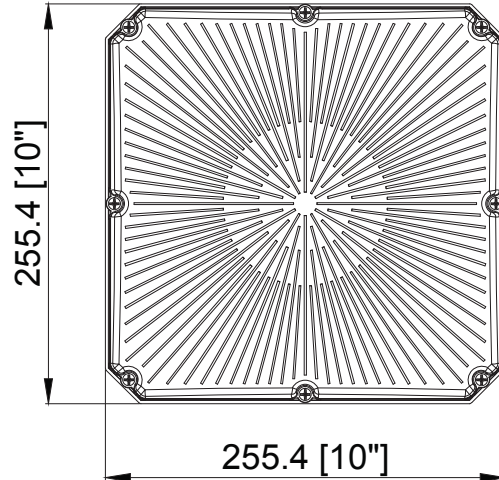
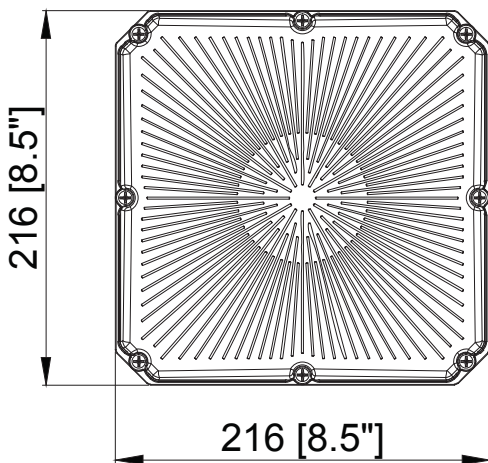
### SPECS

Model Number	Input Power	Color Temp	Input Voltage	Lumens	Efficacy	BEAM ANGLE	TEMP	CRI	IP
T1-CPLED10/U/40-G-40	40W	40K	120-277V	5073	127	140°	-40°C ~ +40°C -40°F ~ +104°F	>80	IP65
T1-CPLED10/U/40-G-50		50K		5248	131				
T1-CPLED10/U/60-G-40	60W	40K		7820	130				
T1-CPLED10/U/60-G-50		50K		7923	132				

WARRANTY: SEVEN YEAR PARTS AND FIVE YEAR LABOR

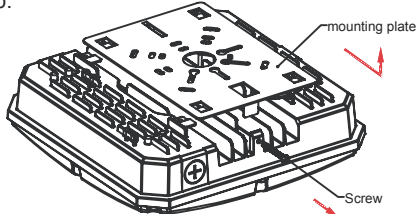


### DIMENSIONS

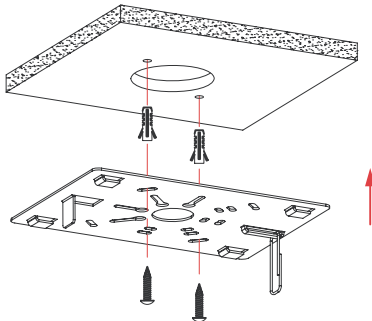


### Ceiling Installation

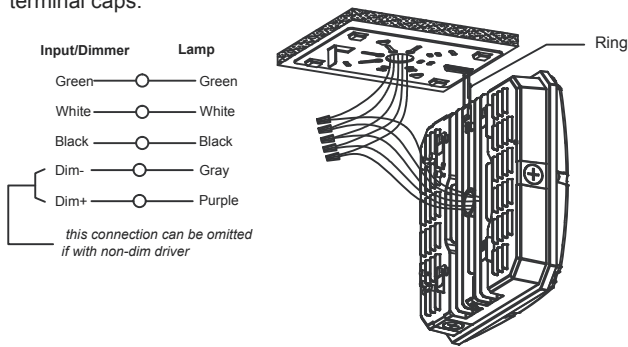
1. Loosen the screw to take off the mounting plate from the lamp.



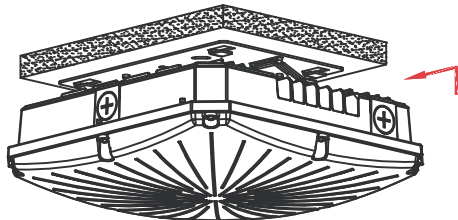
2. Screw the mounting plate to the ceiling.



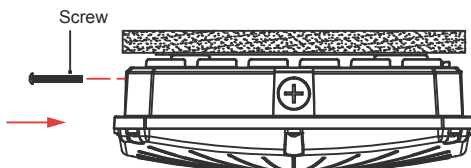
3. Hang the lamp on the ring so as to connect wires with terminal caps.



4. Hook up lamp on the mounting plate.

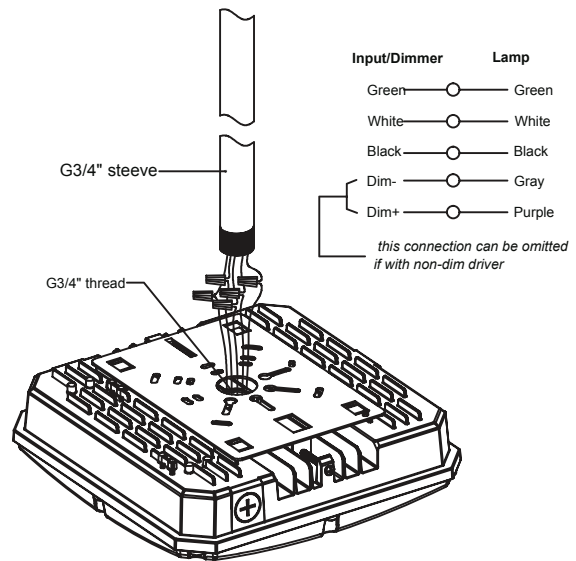


5. Secure the screw. Installation completed.

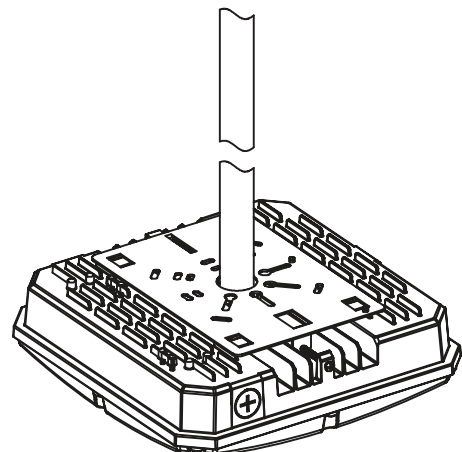


### Pole-pendant Installation

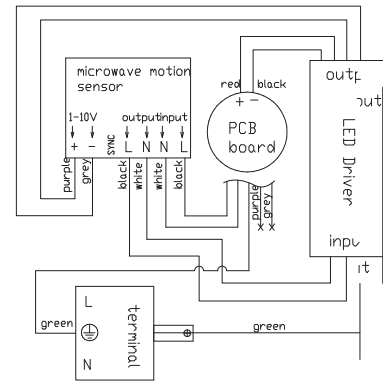
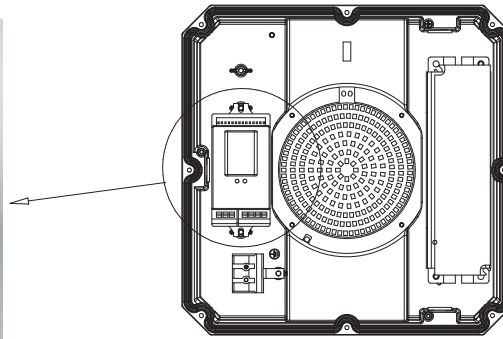
1. Connecting wires with terminal caps as picture shows



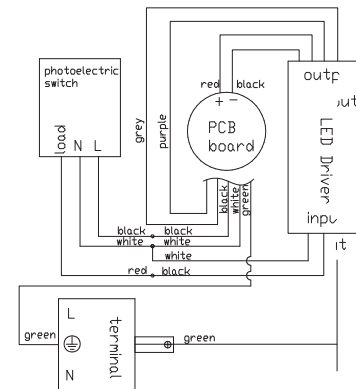
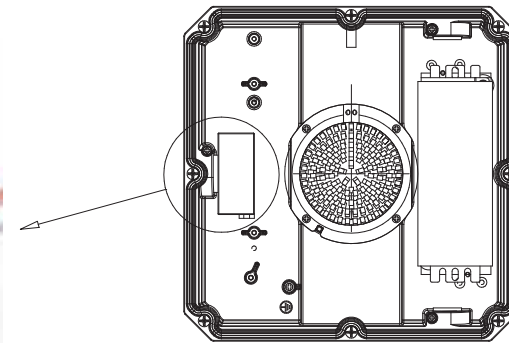
2. Rotating the steeve to make it fixed with lamp. Installation completed.



### Microwave Motion Sensor



### Photoelectric Switch

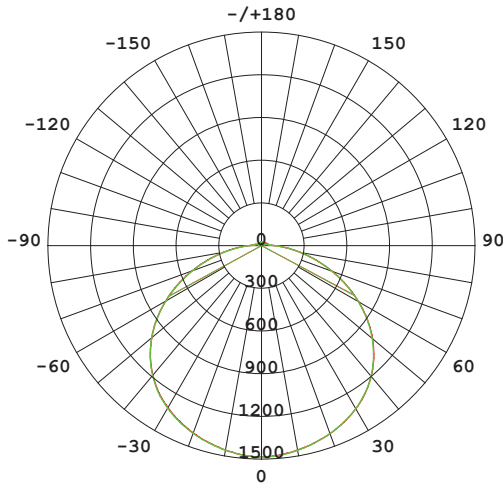


### Cautions

1. Only persons qualified for electrical work should carry out electrical work.
2. All wiring should be performed after shutting off electricity or power to the lighting fixture.
3. Do Not disassemble or modify the LED CANOPY LIGHT.
4. Do Not drop the LED CANOPY LIGHT. Take precautions to ensure the LED CANOPY LIGHT does not experience any strong impact.
5. Keep this product Manual in a safe place for reference.
6. The manufacturer and/or the seller will not be held responsible for any damage caused to the LED CANOPY LIGHT by the user(s) during installation.
7. Be sure to ground the fixture.
8. Do Not Handle lamps soon after the light has been turned off.
9. Do Not use the LED CANOPY LIGHT near heating appliances/elements.

### T-1 CPLED10/U/40-G-40

#### LUMINOUS INTENSITY DISTRIBUTION DIAGRAM

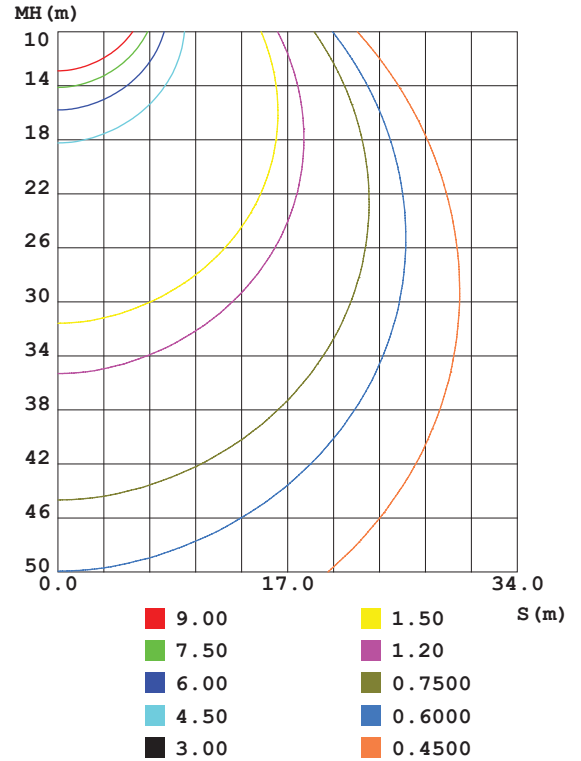


AVERAGE BEAM ANGLE (50%) : 123.1 DEG

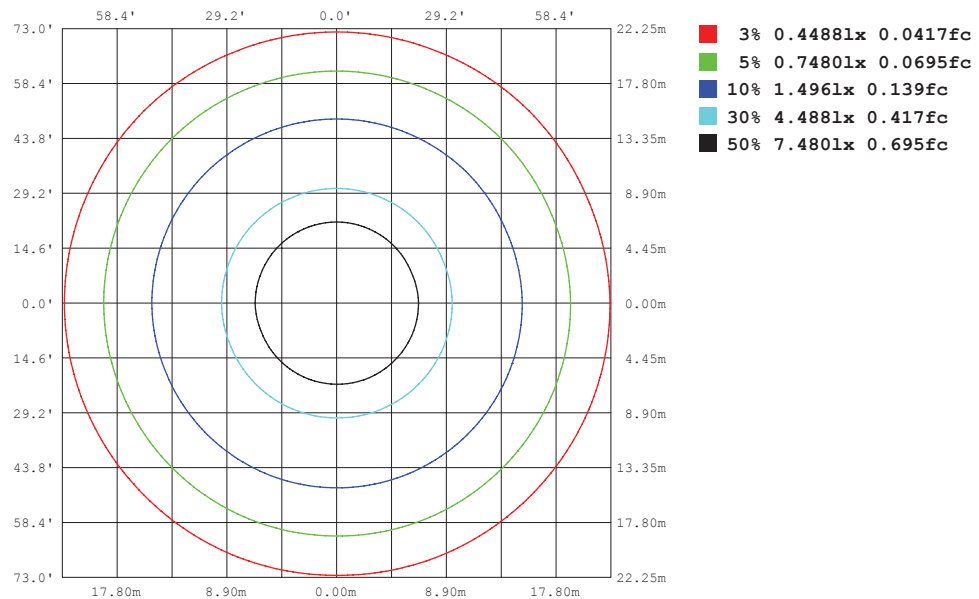
UNIT: cd

- C0/180, 123.2
- C90/270, 122.9

#### C0 PLANE ISOLUX DIAGRAM (UNIT:LX)



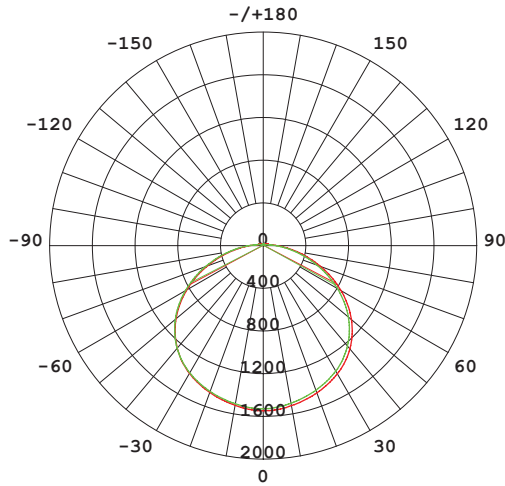
#### ISOLUX DIAGRAM



PHOTOMETRIC DATA

### T-1 CPLED10/U/40-G-50

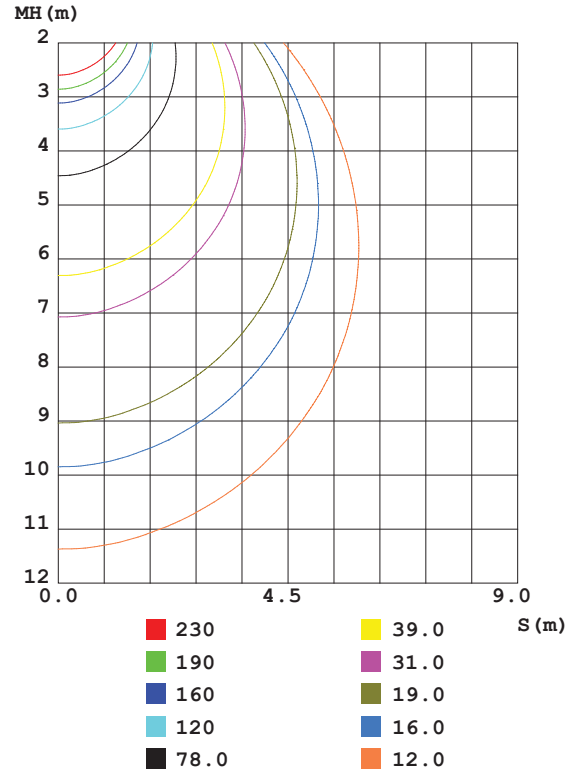
#### LUMINOUS INTENSITY DISTRIBUTION DIAGRAM



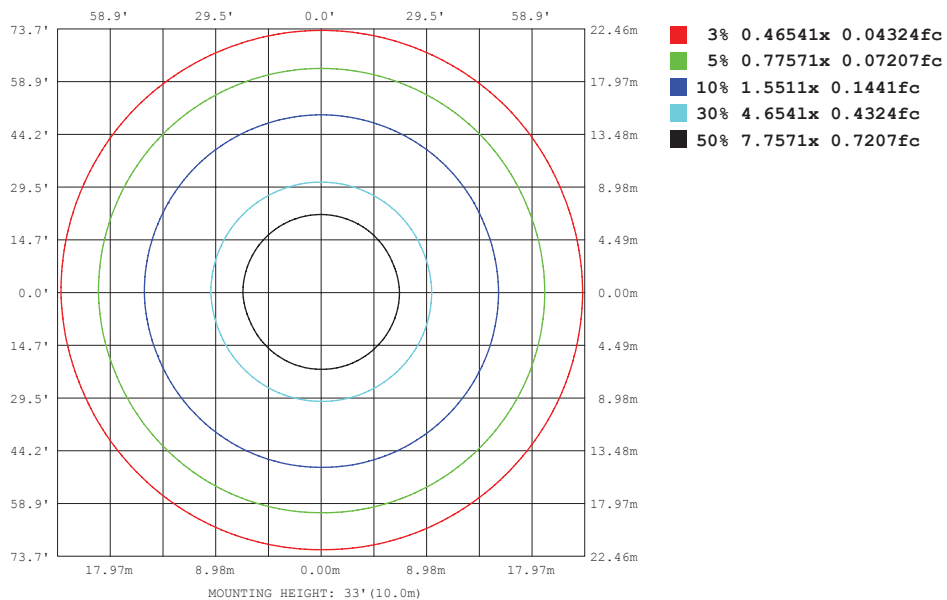
AVERAGE BEAM ANGLE (50%) : 123.9 DEG

UNIT: cd  
■ C0/180, 124.0  
■ C90/270, 123.9

#### C0 PLANE ISOLUX DIAGRAM (UNIT:LX)



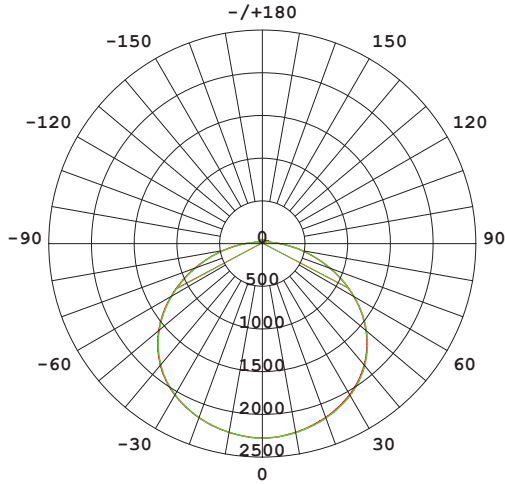
#### ISOLUX DIAGRAM



PHOTOMETRIC DATA

### T-1 CPLED10/U/60-G-40

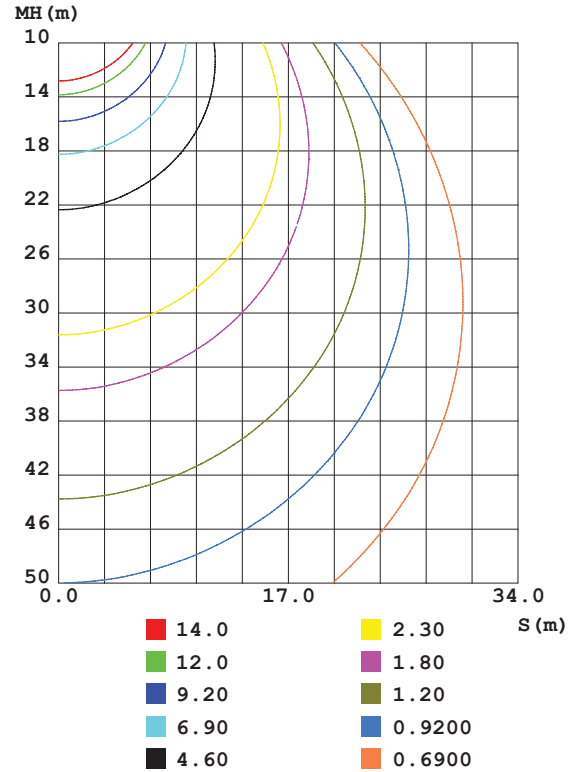
#### LUMINOUS INTENSITY DISTRIBUTION DIAGRAM



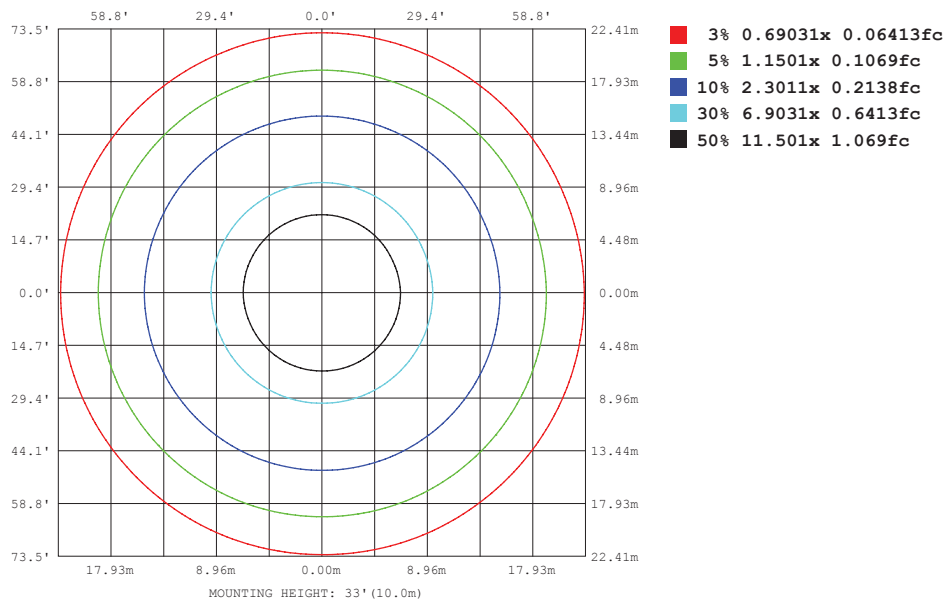
AVERAGE BEAM ANGLE (50%) : 124.2 DEG

- UNIT: cd
- C0/180, 124.3
  - C90/270, 124.1

#### C0 PLANE ISOLUX DIAGRAM (UNIT:LX)



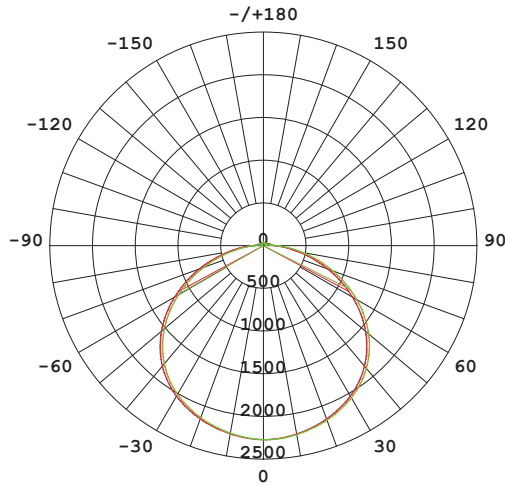
#### ISOLUX DIAGRAM



PHOTOMETRIC DATA

### T-1 CPLED10/U/60-G-50

#### LUMINOUS INTENSITY DISTRIBUTION DIAGRAM

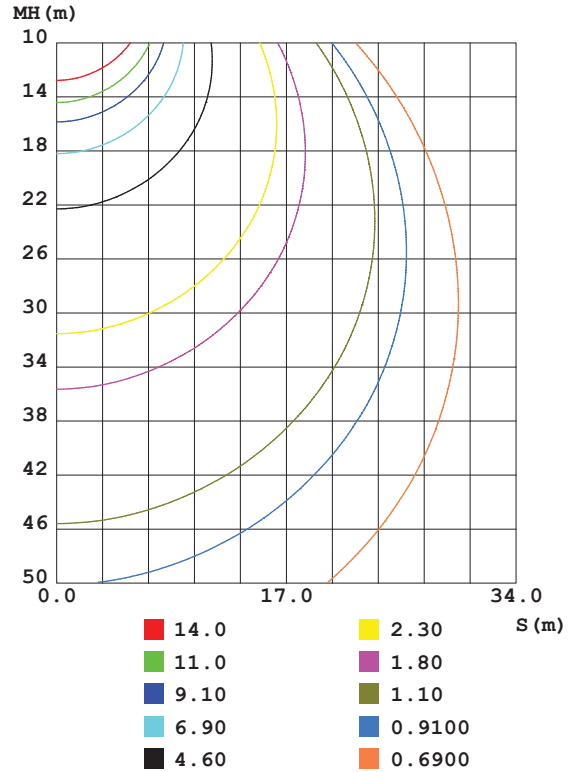


AVERAGE BEAM ANGLE (50%) : 123.5 DEG

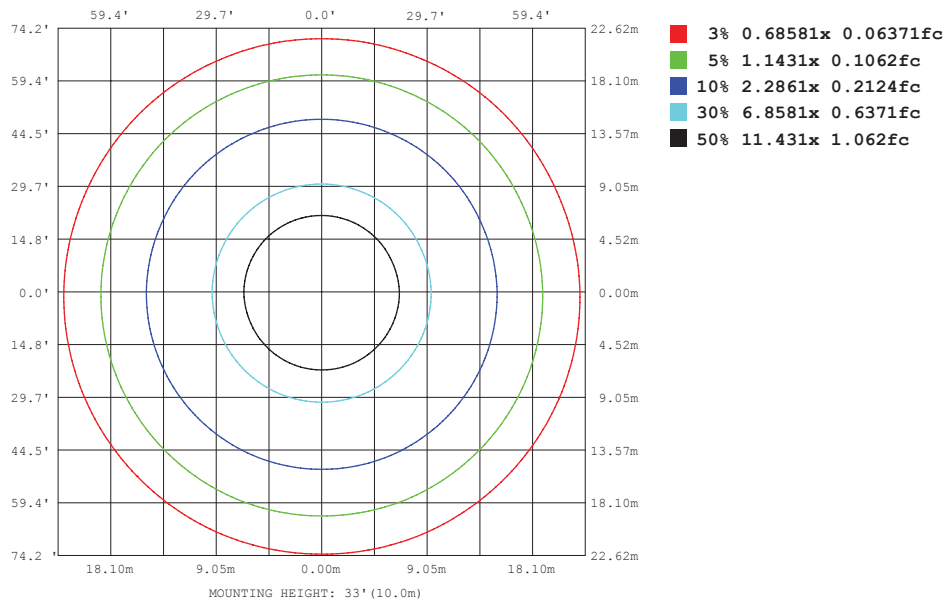
UNIT:cd

- C0/180, 123.4
- C90/270, 123.6

#### C0 PLANE ISOLUX DIAGRAM (UNIT:LX)



#### ISOLUX DIAGRAM



PHOTOMETRIC DATA