



T-1 LIGHTING

|             |           |
|-------------|-----------|
| Project     | Catalog # |
| Distributor | Type      |
| Prepared by | Date      |

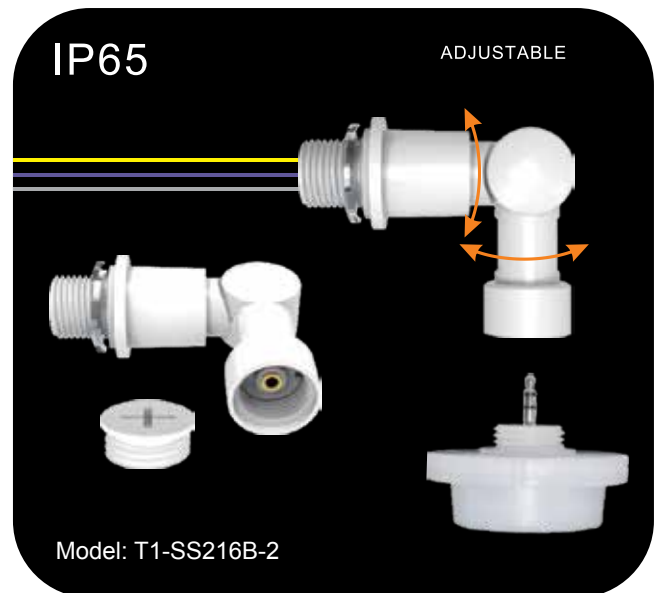
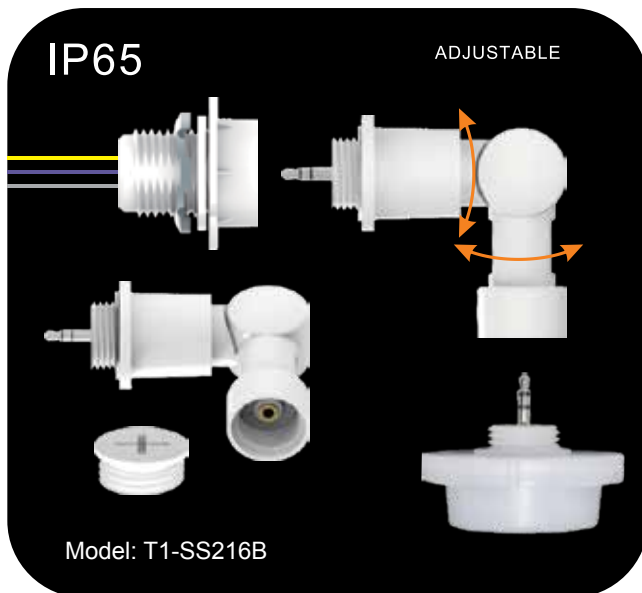


# Swivel Angle Quick Connect Socket

## T1-SS216B/T1-SS216B-2

SPECS

|                          |  |                              |                                |
|--------------------------|--|------------------------------|--------------------------------|
| <b>Environment</b>       | Suitable for outdoor use with respect to UV and water exposure | <b>Operating Temperature</b> | 40° ~ +158°F<br>(-40° ~ +70°C) |
| <b>Operating Voltage</b> | 12-24 VDC  | <b>IP Rating</b>             | IP65                           |
| <b>Trade Size</b>        | 1/2" Knockout size<br>(0.78" Clearance)                        | <b>Color</b>                 | White                          |
| <b>Flying Leads</b>      | 22AWG Yellow/Purple/Gray                                       | <b>Warranty</b>              | Five Years                     |



VARIATIONS



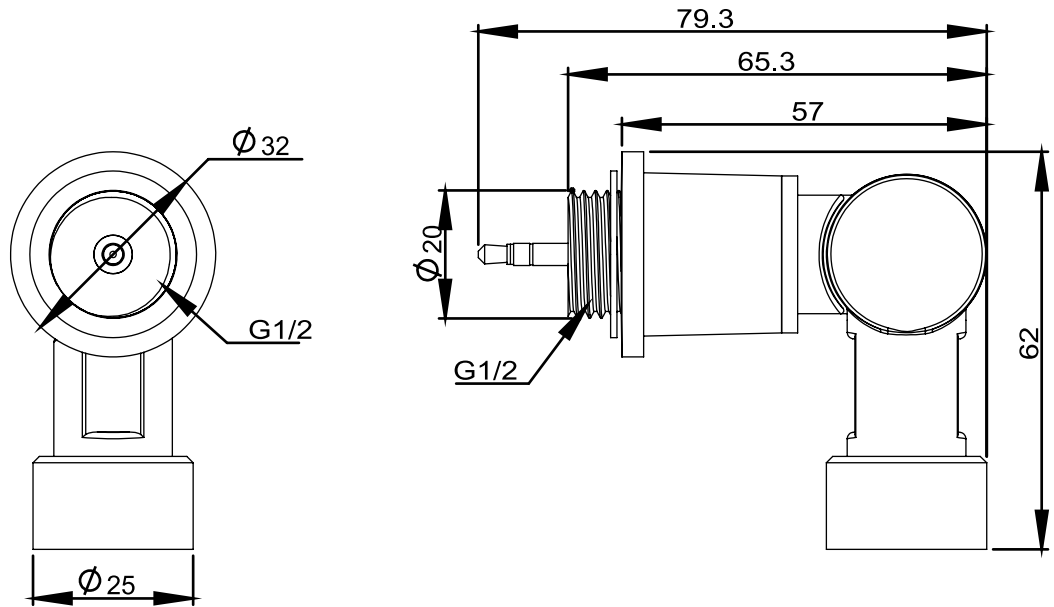
T-1 LIGHTING

# Swivel Angle Quick Connect Socket

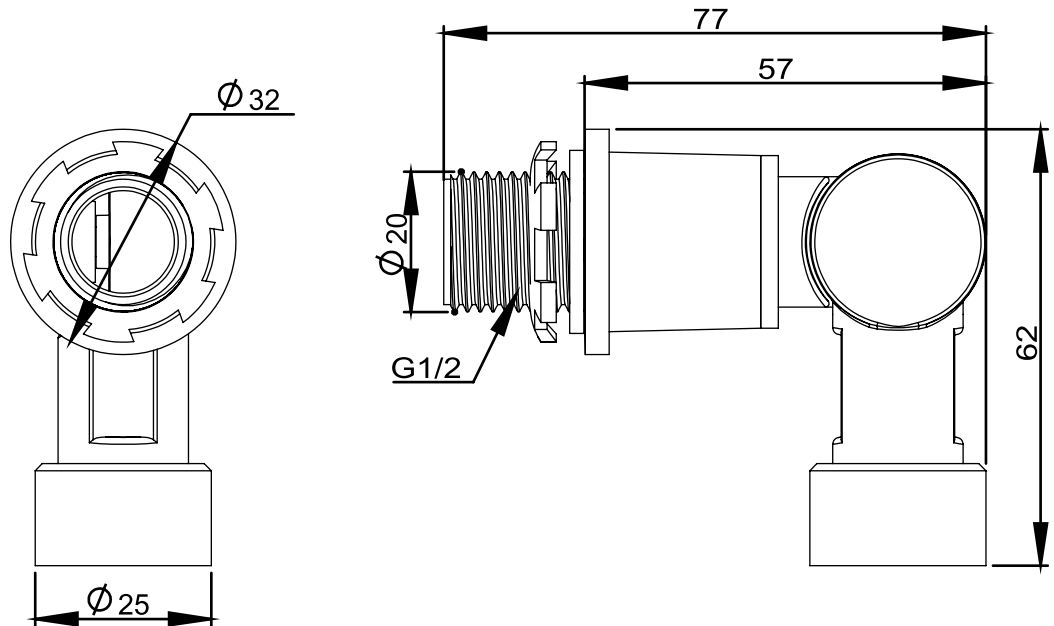
T1-SS216B/T1-SS216B-2

DIMENSIONS

T1-SS216B



T1-SS216B-2



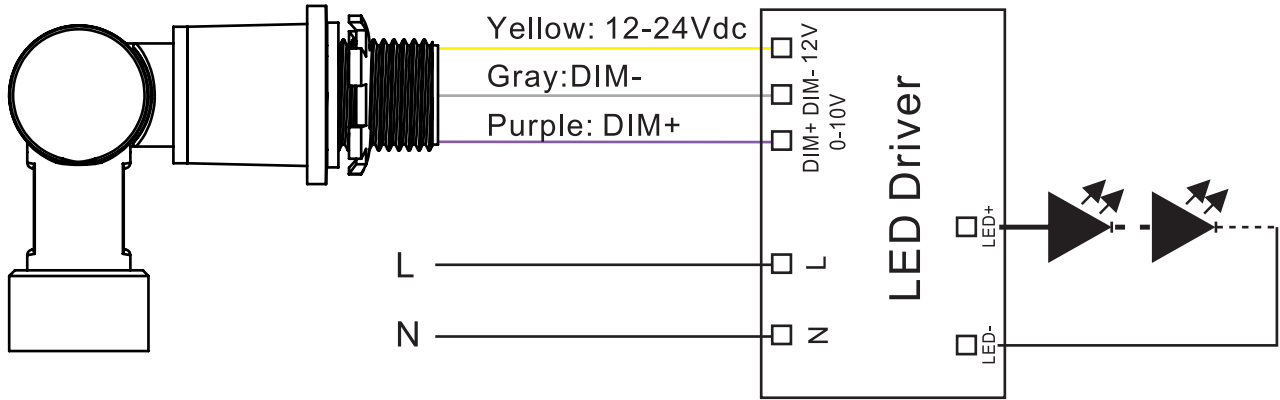


T-1 LIGHTING

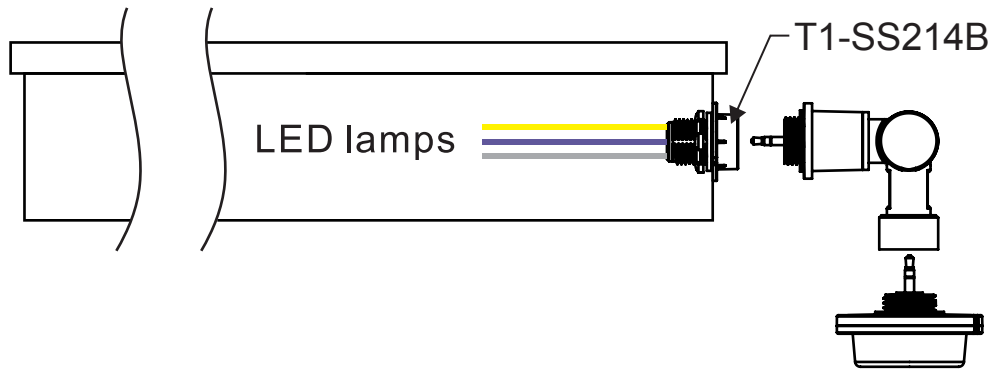
# Swivel Angle Quick Connect Socket

T1-SS216B/T1-SS216B-2

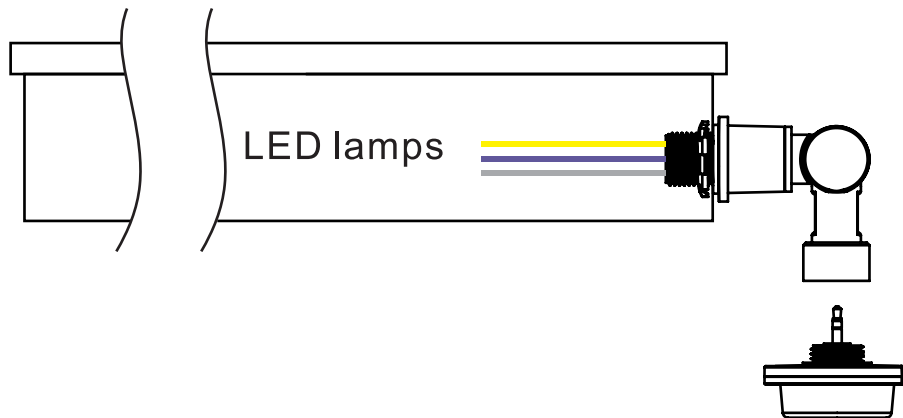
WIRING DIAGRAM



T1-SS216B



T1-SS216B-2



INSTALLATION