



T-1 LIGHTING

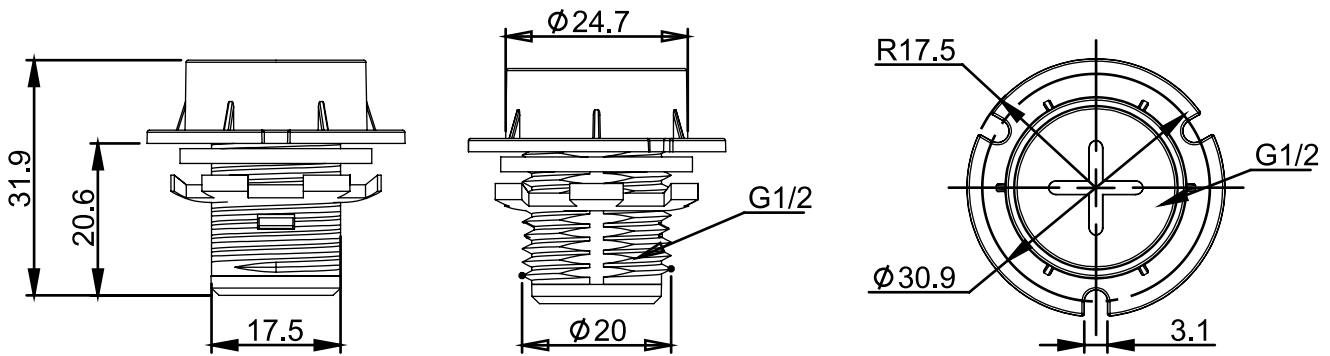
Project	Catalog #
Distributor	Type
Prepared by	Date



# Quick Connect Socket T1-SS214B

SPECS

<b>Operating Voltage</b>	12-24 VDC	<b>Operating Temperature</b>	-40° ~ +158°F (-40° ~ +70°C)
<b>Trade Size</b>	1/2" Knockout Size (0.78" Clearance)	<b>Color</b>	White
<b>Flying Leads</b>	22AWG Yellow/Purple/Gray	<b>Warranty</b>	Five Years



DIMENSIONS

WIRING

