



T-1 LIGHTING

Project	Catalog #
Distributor	Type
Prepared by	Date



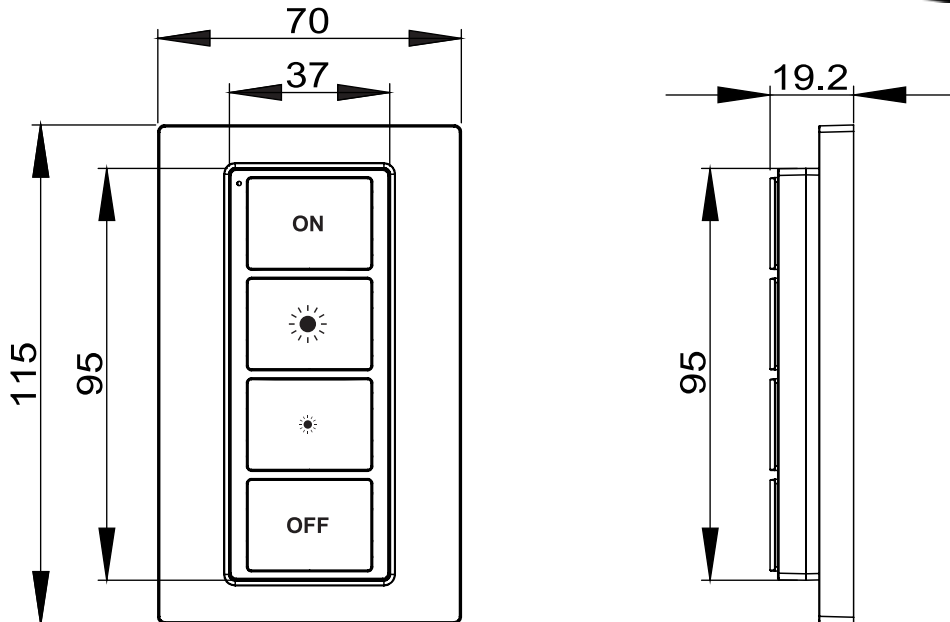
# Wireless Wall Switch

## T1-SS203

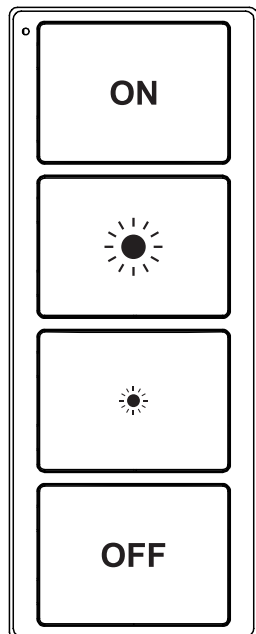
The T1-SS203 Wireless Wall Switch is made of two parts: the base plate, and the remote control for manual control of light fixtures via the T-1 Lighting app or SaaS. The switch provides basic control functions of a standard wall switch with preset dimming capabilities without any additional wiring. It also gives you the flexibility to predefine and change light colors (CCT) and light levels that can be accessed at a push of a button.

SPECS

<b>Operating Voltage</b>	3V (Battery-powered: CR2450)	<b>Mesh Range</b>	100ft node-to-node
<b>Control Technology</b>	Bluetooth		50ft node-to-device
<b>Wireless Standard</b>	BLE 4.2 MESH IEEE 802.15.1	<b>Operating Temperature</b>	32° ~ 122°F / 0° ~ 50°C
<b>Programming</b>	T-1 Lighting App or SaaS	<b>Color</b>	White
<b>Cybersecurity</b>	UL1376	<b>Warranty</b>	Five Years
<b>Encryption</b>	AES 128-bit		



DIMENSIONS



**ON**  
Turn lights on

**DIM UP**  
Press to dim up gradually  
Hold to color up color up gradually

**DIM DOWN**  
Press to dim down gradually  
Hold to color down color up gradually

**OFF**  
Turn lights off

### Step 1: Find a good spot for your Remote Control

Because this switch isn't meant to cover your traditional light switch, you have the freedom to choose exactly where you'd like your new smart switch to be. Even after mounting, you are still able to use your switch anywhere. The switch is made up of two parts: the base plate, and the remote control, which attaches magnetically to the base, and can be used wherever you can carry it. The best places to install the switch are near entryways or seating areas such as around the living room couch or the dining table.

### Step 2: Mount it with adhesive or screws

The switch can be mounted two ways: the included adhesive backing on the base plate, or by screwing the base plate on the wall (screws not included).

Though the switch doesn't come with the required hardware, you can use screws to mount the base plate to your wall. Insert small-sized screws through the base plate's screw holes. Depending on the type of wall, use a screwdriver or drill to secure the screws in place. Some walls may require wall anchors to properly secure the base plate. If you decided to mount it with the adhesive backing from the base plate, line up your plate exactly where you want it (make sure it's straight), and then press the wall plate firmly onto the wall. The backing takes about 24 hours to set, so try not to jostle or bump it for at least a day after you install it.

### Step 3: Remove the plastic tab from the remote's battery compartment

Each new switch comes with a small plastic strip that must be removed in order to engage the battery. Simply pull this strip out and the LED will begin flashing orange.

### Step 4: Pair your dimmer switch with your lights

Press and hold the "ON" AND "OFF" buttons for 3 seconds until the green light starts to blink. You can scan and add the remote control via the app.

#### Note:

##### 1. Factory reset the switch

Factory reset your switch by pressing and holding the "Setup" button on the back of the switch for at least 10 seconds until the LED indicator on the front turns green. Afterwards, it will blink green for several minutes.

##### 2. Indicator of Power limited

When the LED indicator on the front turns red, the power is limited and you need to charge the battery.

Using the T-1 Lighting mobile app, you can pair devices, create groups, set scenes & schedules, customize dimming levels, and adjust the high trim based on application needs.

