



T-1 LIGHTING

Project	Catalog #
Distributor	Type
Prepared by	Date



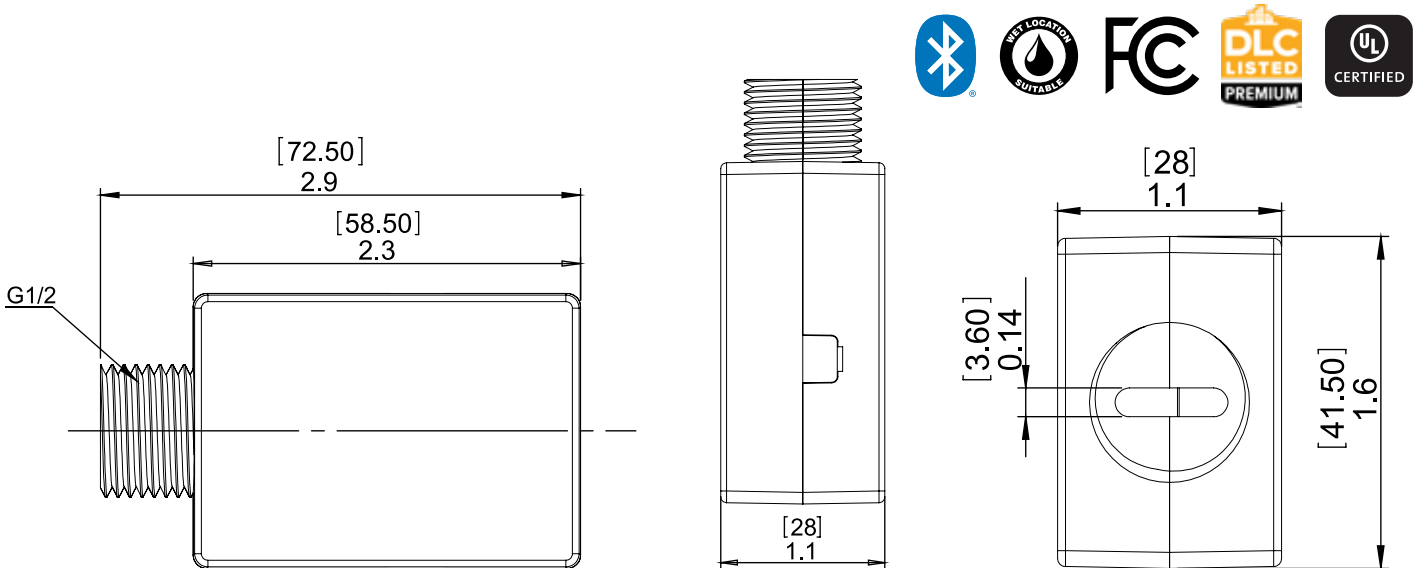
120-277V Network Power Pack

T1-SS01

The T1-SS01 provides automated individual and group lighting control using sensors and Bluetooth mesh technology. Ideal for indoor lighting fixtures, it provides a multi-level control solution through motion sensing and daylight harvesting capabilities. With the use of the T-1 Lighting mobile app or a Bluetooth network with SaaS, you can create individual, group, and scene scheduling, as well as multi-level dimming.

SPECS

Operating Voltage	120-277 VAC, 50-60Hz	Programming	T-1 Lighting App or SaaS
Maximum Load	5A, 600W Max. for LED Driver only	Cybersecurity	UL1376
Control Output	2-channel 0-10V output signals 1 for dimming 1 for CCT	Encryption	AES 128.bit
Sinking Current	Max. 25mA	Mesh Range	100ft. node-to-node 50ft. node-to-device
Radio Frequency	2.4GHz ± 75MHz	Safety	cULus listed
Wireless Standard	BLE 4.2 MESH IEEE 802.15.1	Operating Temperature	-40° ~ +158°F (-40° ~ +70°C)
		Color	White
		Warranty	Five Year



DIMENSION

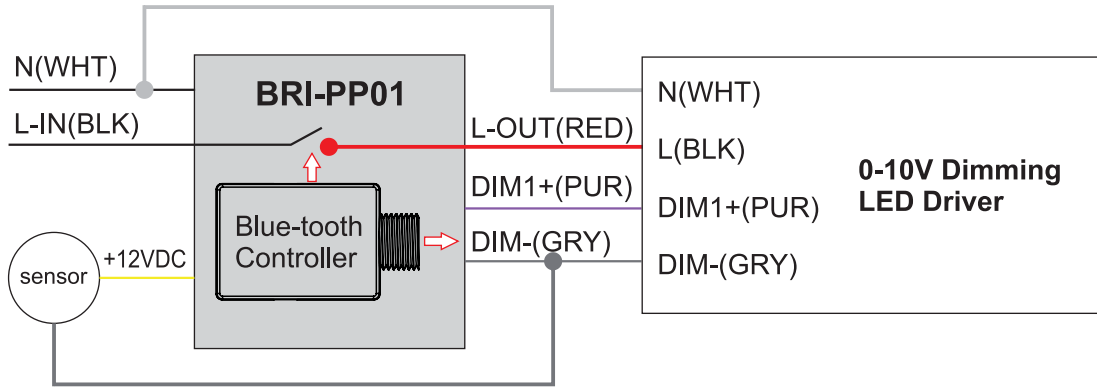


T-1 LIGHTING

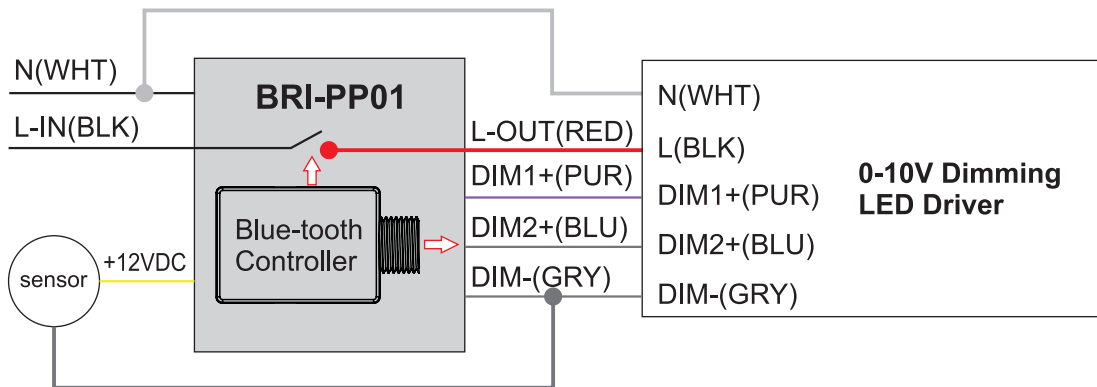
120-277V Network Power Pack

T1-SS01

WIRING



One-channel Brightness Dimming Application



Two-channel Color Tuning Application

Using the T-1 Lighting mobile app, you can pair devices, create groups, set scenes & schedules, customize dimming levels, and adjust the high trim based on application needs.



APP