



T-1 LIGHTING

Project	Catalog #
Distributor	Type
Prepared by	Date



# Bluetooth Multi-Level ON/OFF PIR Light Sensor

## T1-BTSENSE-PIR

The T1-BTSENSE-PIR provides automated individual and group control of light fixtures using Bluetooth sgmesh technology. It is mounted in commercial lighting fixtures to provide a multi-level dimming control solution with motion and daylight harvesting capabilities. By pairing it with the T-1 Lighting app or a Bluetooth network with SaaS, the sensor can be configured for individual, group, or scene schedules, customized dimming levels, and adjust angle depending on application. It comes in sheathed wire (IP65) and non-sheathed wire (IP20) variants, plus 2 lens options.

PIR SENSOR

<b>Daylight Harvesting</b>	ON/OFF	<b>Mounting Height</b>	13-40ft
<b>Motion Sensing</b>	ON/OFF	<b>Detection Range</b>	Up to 52ft diameter
<b>First Time Delay</b>	1-59 minutes/infinite	<b>Detection Horizontal Pattern</b>	360°
<b>Second Time Delay</b>	0-59 minutes/infinite	<b>Detection Vertical Pattern</b>	90°
<b>Dim Level</b>	0-100%		



<b>Network BLED Sgmesh</b>	Yes	<b>Programming</b>	T-1 Lighting mobile app or SaaS
<b>Daylight Harvesting</b>	Yes	<b>Cyber Security</b>	UL1376
<b>Digital PIR Motion Sensor</b>	Yes	<b>Encryption</b>	AES 128-bit
<b>Detection Mode</b>	Occupancy / Vacancy / Bi-Level in 1 Unit	<b>Mesh Range</b>	100ft. node-to-node and 50ft node-to-device
<b>Operating Voltage</b>	120-277 VAC	<b>Safety</b>	cULus Listed
<b>Maximum Load</b>	5A 600W Max. for LED driver only	<b>Operating Temperature</b>	-40° ~ +167°F [-40° ~ +75°C]
<b>Sinking Current</b>	Max. 25mA	<b>IP Rating</b>	IP65 (sheathed wire) IP20 (non-sheathed wire)
<b>Control Output</b>	0-10V	<b>Color</b>	White
<b>Radio Frequency</b>	2.4GHz ± 75MHz	<b>Warranty</b>	Five Years
<b>Wireless Standard</b>	BLE 4.2 MESH IEEE 802.15.1		

SPECS



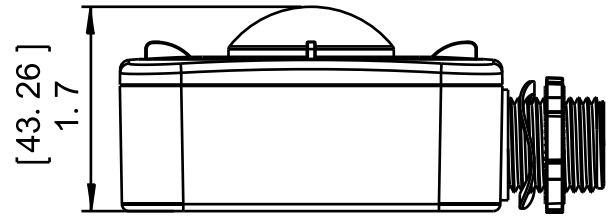
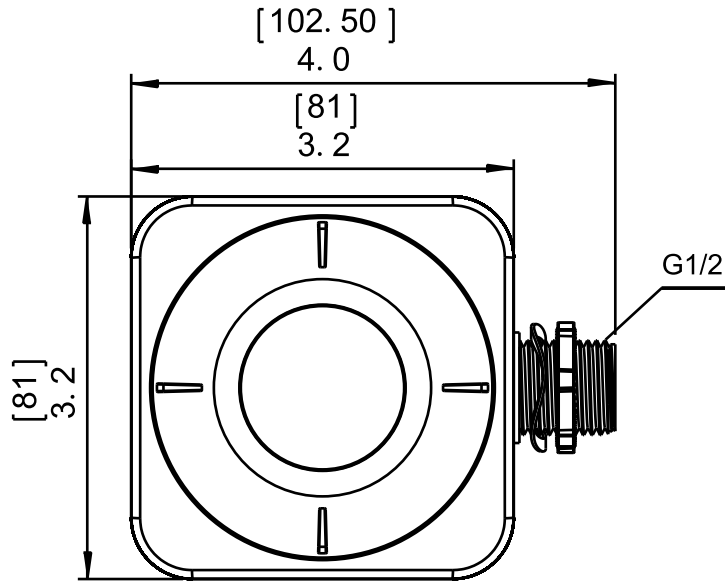
T-1 LIGHTING

# Bluetooth Multi-Level ON/OFF PIR Light Sensor

T1-BTSENSE-PIR

DIMENSIONS

SHEATHED WIRE (IP65)

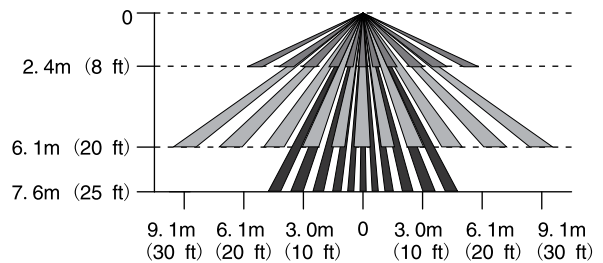
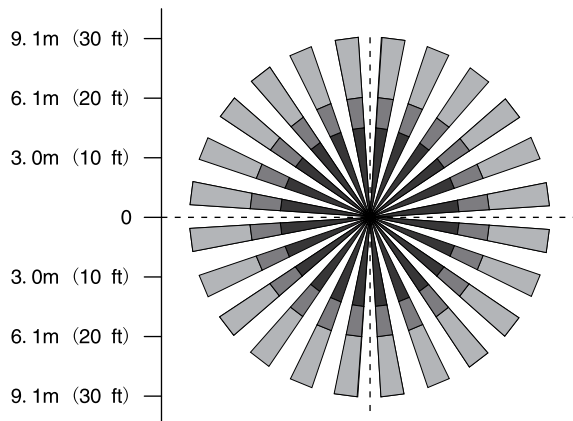


## L1/L5 Len

Top View

Side View

Low Bay  
360°



COVERAGE



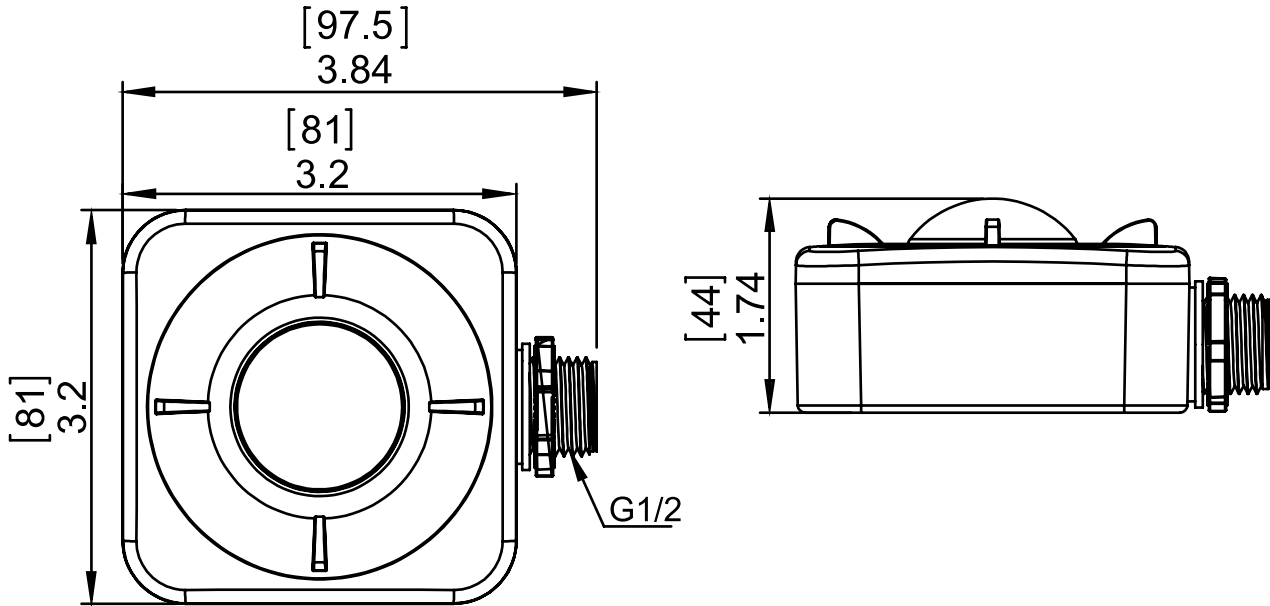
T-1 LIGHTING

# Bluetooth Multi-Level ON/OFF PIR Light Sensor

T1-BTSENSE-PIR

DIMENSIONS

NON-SHEATHED WIRE (IP20)

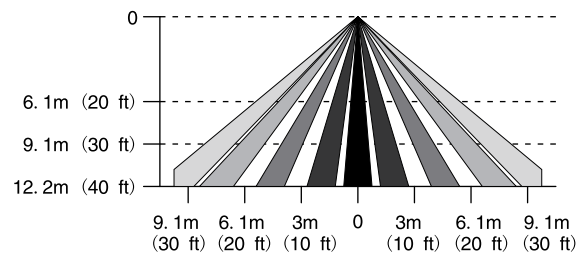
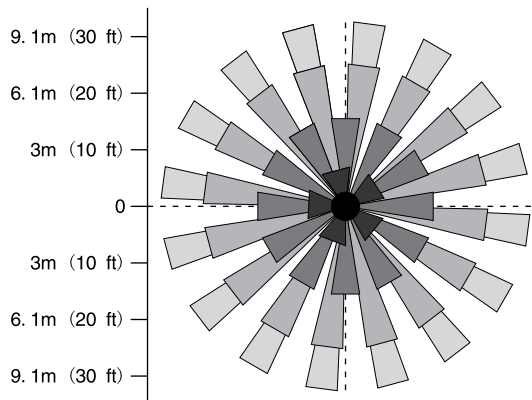


## L2L6 Len

Top View

Side View

High Bay  
360°



COVERAGE

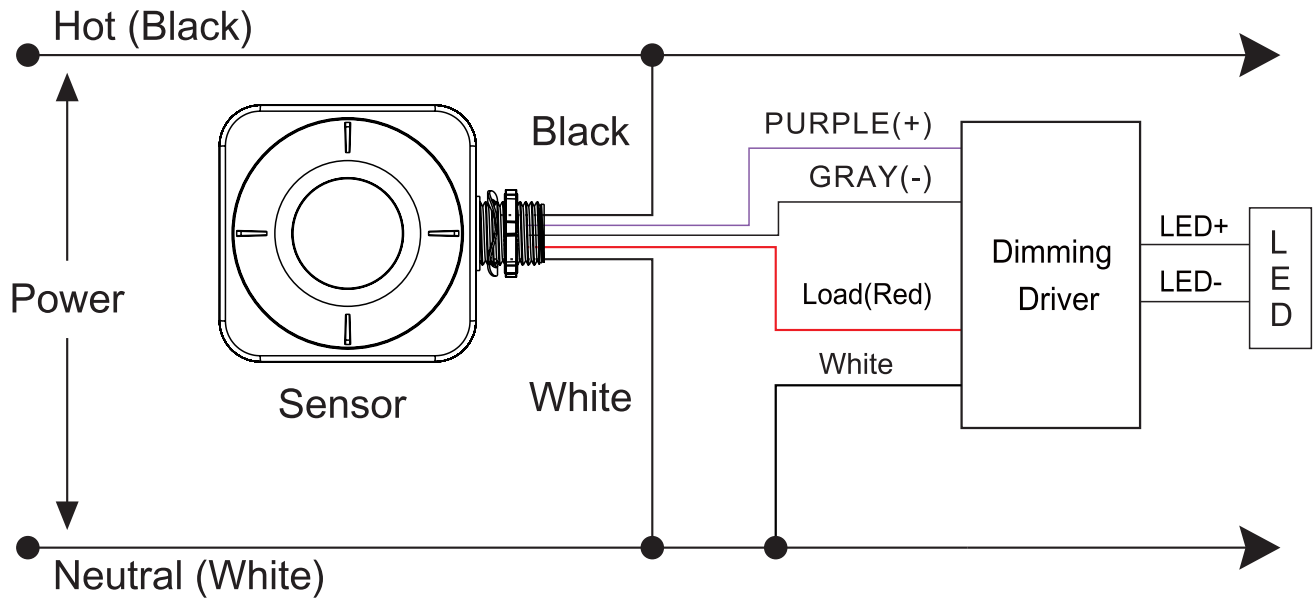


T-1 LIGHTING

# Bluetooth Multi-Level ON/OFF PIR Light Sensor

T1-BTSENSE-PIR

## WIRING WITH DIMMING BALLAST OR LED DRIVER



WIRING DIAGRAM

Using the T-1 Lighting mobile app, you can pair devices, create groups, set scenes & schedules, customize dimming levels, and adjust the high trim based on application needs.



APP