



T-1 LIGHTING

Project	Catalog #
Distributor	Type
Prepared by	Date



Plug & Play Network BLE Nodes & Sensor

T1-BLU64T

The T1-BLU64T provides automated individual and group control of light fixtures using Bluetooth sgmesh technology. It is mounted in commercial lighting fixtures to provide a multi-level dimming control solution with motion and daylight harvesting capabilities. By pairing it with the T-1 Lighting app or a Bluetooth network with SaaS, the sensor can be configured for individual, group, or scene schedules, customized dimming levels, and adjust angle depending on application. It comes in sheathed wire (IP65) and non-sheathed wire (IP20) variants, plus 2 lens options.

PIR
SENSOR

Daylight Harvesting	ON/OFF	Mounting Height	13-40ft
Motion Sensing	ON/OFF	Detection Range	Up to 52ft diameter
First Time Delay	1-59 minutes/infinite	Detection Horizontal Pattern	360°
Second Time Delay	0-59 minutes/infinite	Detection Vertical Pattern	90°
Dim Level	0-100%		



Network BLED Sgmesh	Yes	Programming	T-1 Lighting mobile app or SaaS
Daylight Harvesting	Yes	Cyber Security	UL1376
Digital PIR Motion Sensor	Yes	Encryption	AES 128-bit
Detection Mode	Occupancy / Vacancy / Bi-Level in 1 Unit	Mesh Range	100ft. node-to-node and 50ft node-to-device
Operating Voltage	120-277 VAC	Safety	cULus Listed
Maximum Load	>50mA	FCC	FCC ID:2AVMOANT-5-X
Sinking Current	Max. 25mA	Operating Temperature	-40° ~ +167°F (-40° ~ +75°C)
Control Output	0-10V	IP Rating	IP65
Radio Frequency	2.4GHz ± 75MHz	Color	White
Wireless Standard	BLE 4.2 MESH IEEE 802.15.1	Warranty	Five Years

SPECS

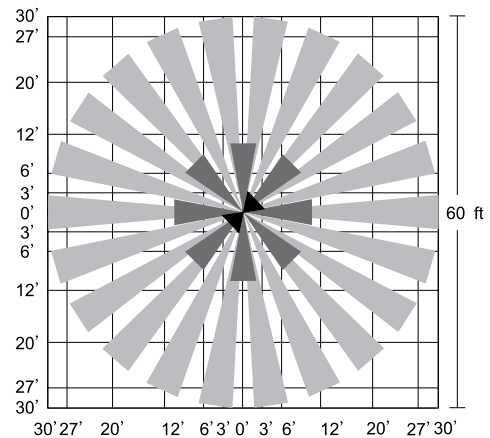
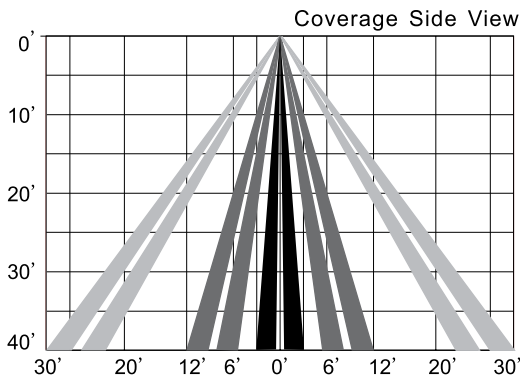
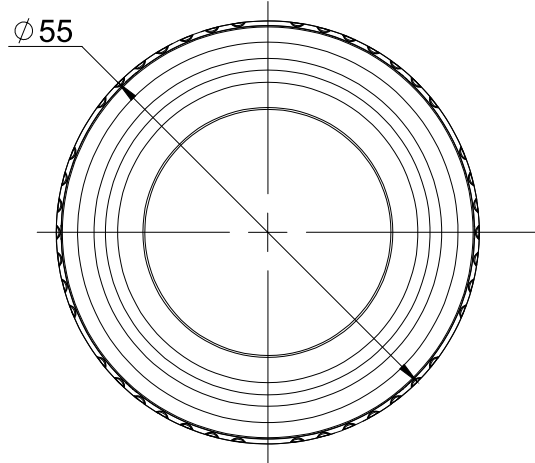
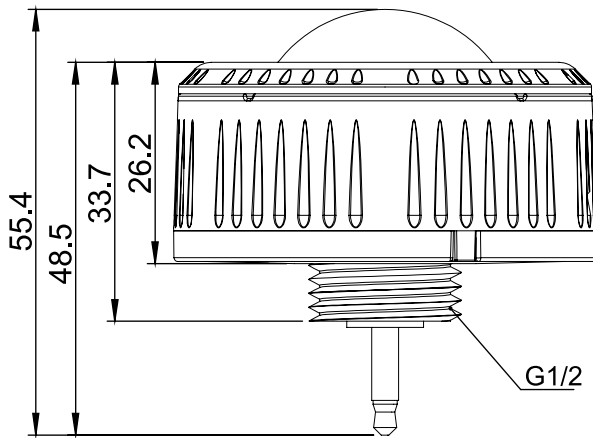


T-1 LIGHTING

Plug & Play Network BLE Nodes & Sensor

T1-BLU64T

DIMENSIONS



COVERAGE

APP

Using the T-1 Lighting mobile app, you can pair devices, create groups, set scenes & schedules, customize dimming levels, and adjust the high trim based on application needs.

