



T-1 LIGHTING

Project	Catalog #
Distributor	Type
Prepared by	Date



Plug & Play Network BLE Node & Sensor

T1-BLU54T

The T1-BLU54T provides automated individual and group lighting control using sensors and Bluetooth sgmesh technology. Ideal for commercial lighting fixtures, it provides a multi-level control solution through motion sensing and daylight harvesting capabilities. With the use of the T-1 Lighting mobile app or a Bluetooth network with SaaS, you can create individual, group, and scene scheduling, as well as multi-level dimming.

PIR
SENSOR

Daylight Harvesting	ON/OFF	Mounting Height	13-40ft
Motion Sensing	ON/OFF	Detection Range	Up to 52ft diameter
First Time Delay	1-59 minutes/infinite	Detection Horizontal Pattern	360°
Second Time Delay	0-59 minutes/infinite	Detection Vertical Pattern	90°
Dim Level	0-100%		



Network BLE Sgmesh	Yes	Programming	T-1 Lighting mobile app or SaaS
Daylight Harvesting	Yes	Cyber Security	UL1376
Microwave Motion Sensor	Yes	Encryption	AES 128-bit
Detection Mode	Occupancy / Vacancy / Bi-Level in 1 Unit	Mesh Range	100ft. node-to-node and 50ft node-to-device
Operating Voltage	12-24 VDC	Safety	cULus Listed
Operating Current	>50mA	FCC ID	2AVMOANT-5-X
Sinking Current	Max. 25mA	Operating Temperature	-4° ~ +158°F (-40° ~ +70°C)
Control Output	0-10V	IP Rating	IP65
Radio Frequency	2.4GHz ± 75MHz	Color	White
Wireless Standard	BLE 4.2 MESH IEEE 802.15.1	Warranty	Five Years

SPECS

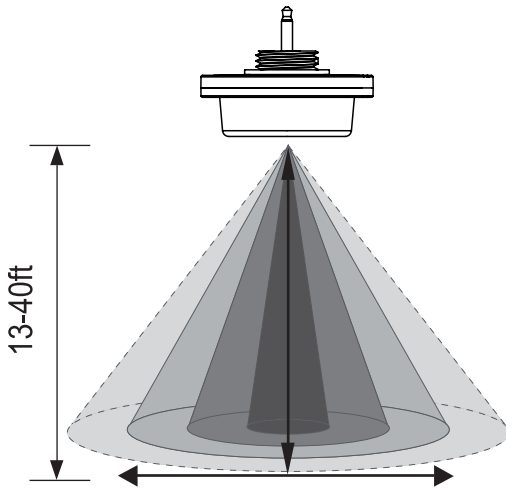
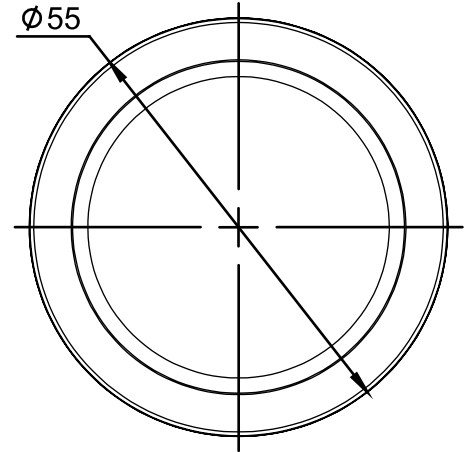
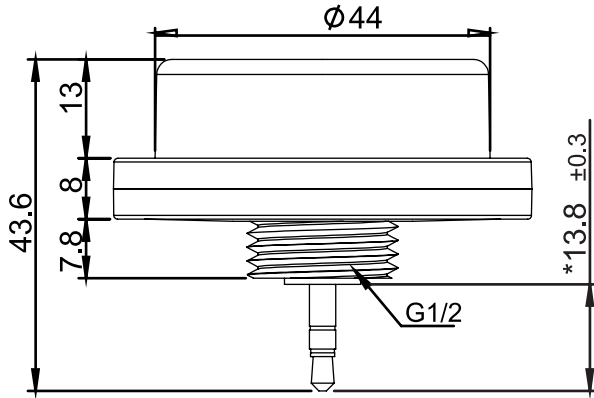


T-1 LIGHTING

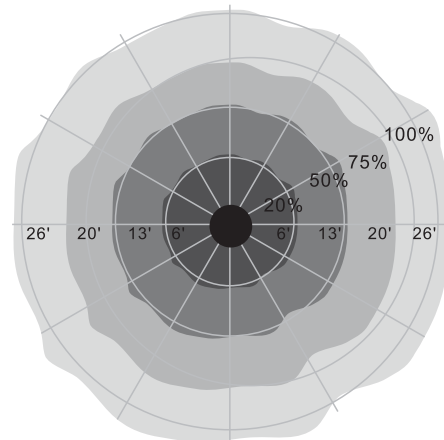
Plug & Play Network BLE Node & Sensor

T1-BLU54T

DIMENSIONS



Height of installation 13-40ft



COVERAGE

APP

Using the T-1 Lighting mobile app, you can pair devices, create groups, set scenes & schedules, customize dimming levels, and adjust the high trim based on application needs.

