



T-1 LIGHTING

Project	Catalog #
Distributor	Type
Prepared by	Date



Bluetooth Bi-Level PIR Light Sensor

T1-BLU4A

The T1-BLU4A provides an automated individual and group control for light fixtures using Bluetooth sigmesh technology. It is mounted in indoor lighting fixture and provides a multi-level control solution with motion and daylight harvesting capabilities. It can be paired with the T-1 Lighting app or Bluetooth Network with SaaS for individual, group, or scene scheduling and multi-dimming controls.

PIR
SENSOR

Daylight Harvesting	ON/OFF	Mounting Height	8-15ft
Motion Sensing	ON/OFF	Detection Range	Up to 24ft diameter
First Time Delay	1-59 minutes/infinite	Detection Horizontal Pattern	360°
Second Time Delay	0-59 minutes/infinite	Detection Vertical Pattern	90°
Dim Level	0-100%		



Network BLED Simesh	Yes	Programming	T-1 Lighting mobile app or SaaS
Daylight Harvesting	Yes	Cyber Security	UL1376
Digital PIR Motion Sensor	Yes	Encryption	AES 128-bit
Detection Mode	Occupancy / Vacancy / Bi-Level in 1 Unit	Mesh Range	100ft. node-to-node and 50ft node-device
Operating Voltage	12 VDC	Safety	cULus Listed
Operating Current	>50mA	Operating Temperature	-4° ~ +158°F (-20° ~ +70°C)
Sinking Current	Max. 25mA	Color	Black/White
Control Output	0-10V	Warranty	Five Years
Radio Frequency	2.4GHz ± 75MHz		
Wireless Standard	BLE 4.2 MESH IEEE 802.15.1		

SPECS

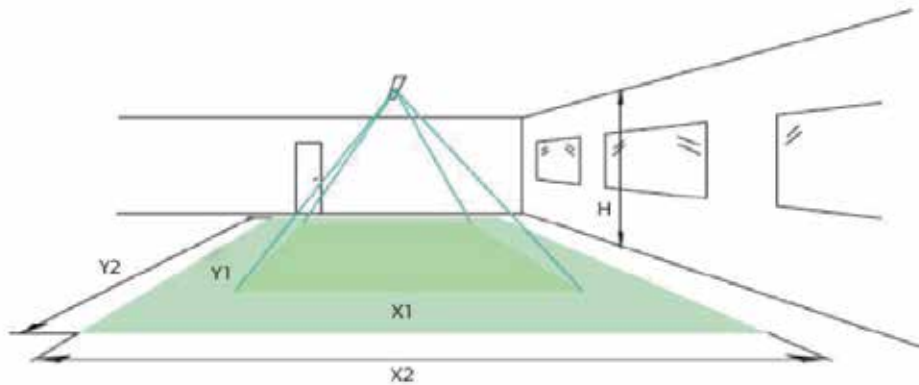
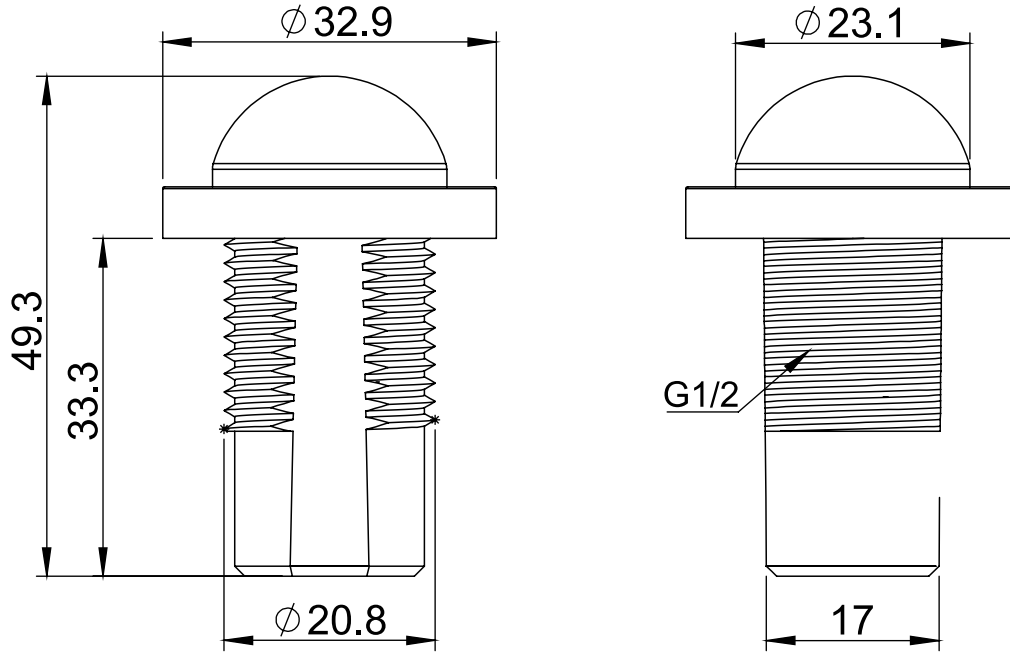


T-1 LIGHTING

Bluetooth Bi-Level PIR Light Sensor

T1-BLU4A

DIMENSIONS



HEIGHT H	MINOR MOVEMENT		MAJOR MOVEMENT	
	Y1	X1	Y2	X2
8'/2.4m	10'/2.9m	9'/2.7m	15'/4.5m	9'/2.9m
10'/3m	12'/3.6m	11'/3.4m	24'/7.3m	15'/4.5m

Note: Longer dimension of detection area (Y1,Y2) is parallel to longer dimension.

COVERAGE

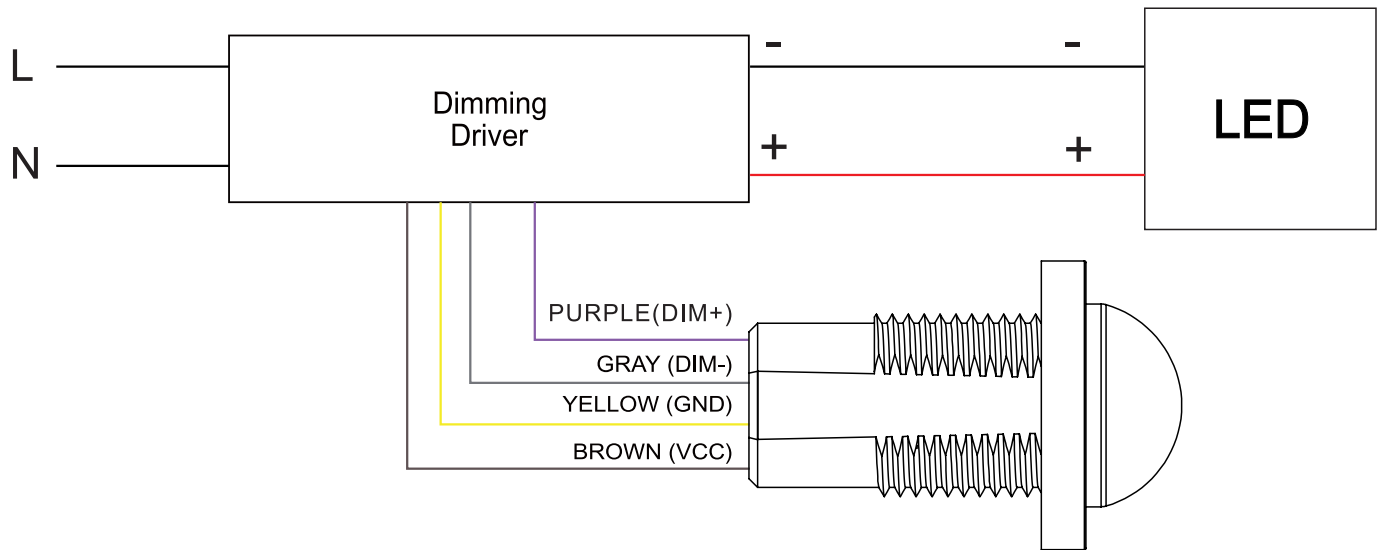


T-1 LIGHTING

Bluetooth Bi-Level PIR Light Sensor

T1-BLU4A

WIRING WITH DIMMING BALLAST OR LED DRIVER



WIRING DIAGRAM

Using the T-1 Lighting mobile app, you can pair devices, create groups, set scenes & schedules, customize dimming levels, and adjust the high trim based on application needs.



APP