



T-1 LIGHTING

Project	Catalog #
Distributor	Type
Prepared by	Date



# "Z" Type Network BLE Node and Sensors

## T1-BLU-SS123X

The T1-BLU-SS123B provides automated individual and group lighting control using sensors and Bluetooth mesh technology. Ideal for indoor lighting fixtures, it provides a multi-level control solution through motion sensing and daylight harvesting capabilities. With the use of the T-1 Lighting mobile app or a Bluetooth network with SaaS, you can create individual, group, and scene scheduling, as well as multi-level dimming.

PIR  
SENSOR

<b>Daylight Harvesting</b>	ON/OFF
<b>Motion Sensing</b>	ON/OFF
<b>First Time Delay</b>	1-59 minutes/infinite
<b>Second Time Delay</b>	0-59 minutes/infinite
<b>Dim Level</b>	0-100%

<b>Mounting Height</b>	13-40ft
<b>Detection Range</b>	Up to 52ft diameter
<b>Detection Horizontal Pattern</b>	360°
<b>Detection Vertical Pattern</b>	90°



<b>Network BLE Sigmoid</b>	Yes
<b>Daylight Harvesting</b>	Yes
<b>Digital PIR Motion Sensor</b>	Yes
<b>Detection Mode</b>	Occupancy/Vacancy/ Bi-Level in 1 Unit
<b>Operating Voltage</b>	120/277 VAC
<b>Maximum Load</b>	5A, 600W Max for LED driver only
<b>Sinking Current</b>	Max 25mA
<b>Control Output</b>	0-10V
<b>Radio Frequency</b>	2.4GHz ± 75MHz
<b>Wireless Standard</b>	BLE 4.2 MESH IEEE 802.15.1

<b>Programming</b>	T-1 Lighting App or SaaS
<b>Cybersecurity</b>	UL1376
<b>Encryption</b>	AES 128-bit
<b>Mesh Range</b>	100ft node-to-node 50ft node-to-device
<b>Safety</b>	cULus Listed
<b>Operating Temperature</b>	-40° ~ +158°F [-40° ~ +70°C]
<b>IP Rating</b>	IP65
<b>Color</b>	White/Black/Brown
<b>Warranty</b>	Five Years

SPECS

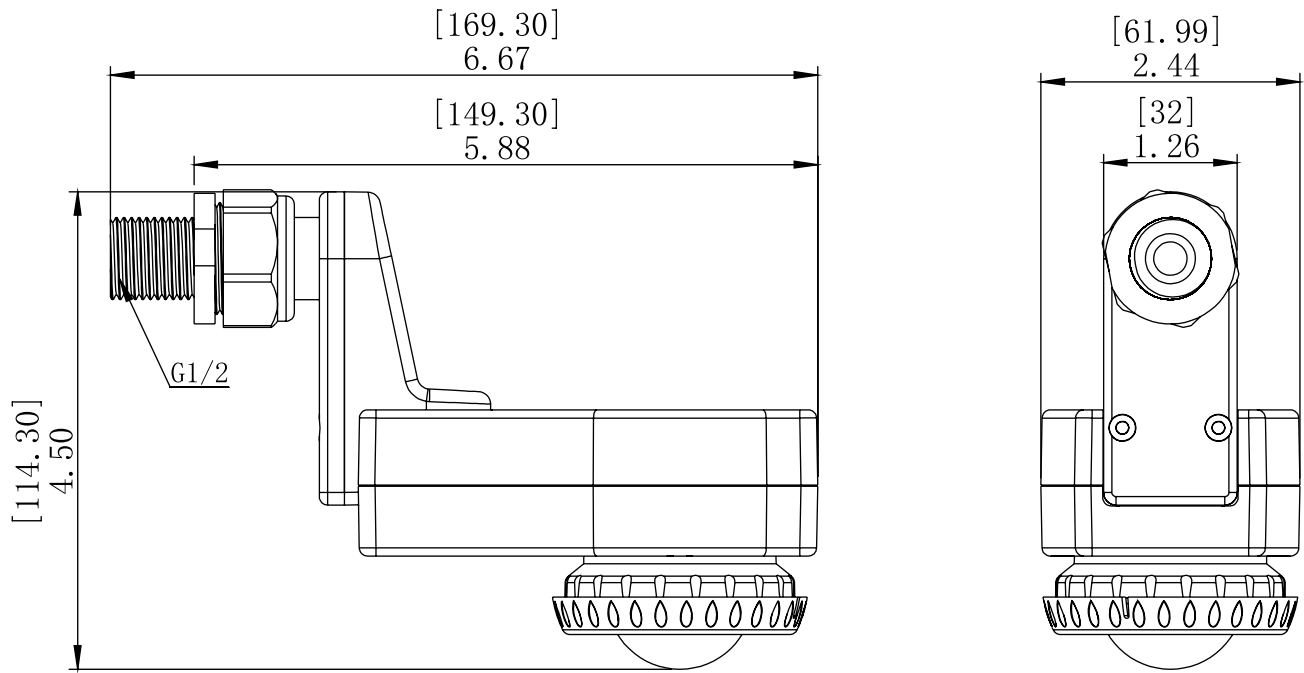


T-1 LIGHTING

# "Z" Type Network BLE Node and Sensors

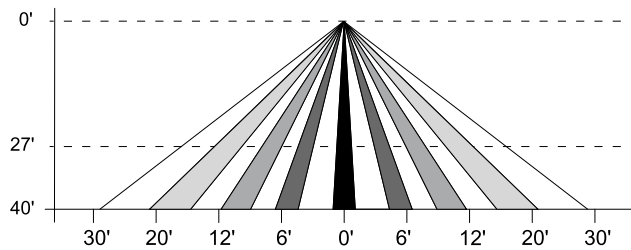
T1-BLU-SS123X

DIMENSIONS



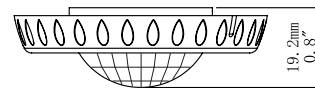
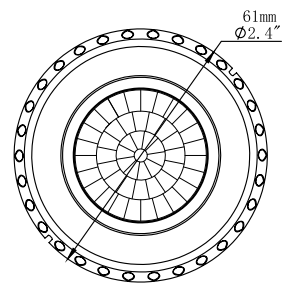
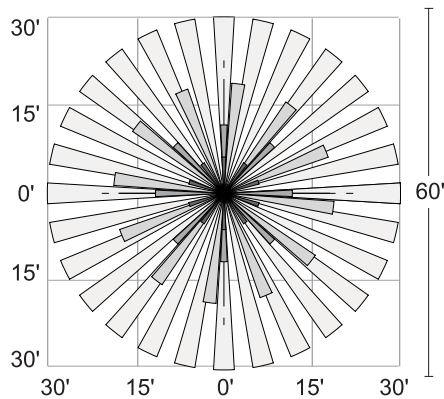
L3

Coverage Side View



360° Coverage

Coverage Top View



COVERAGE

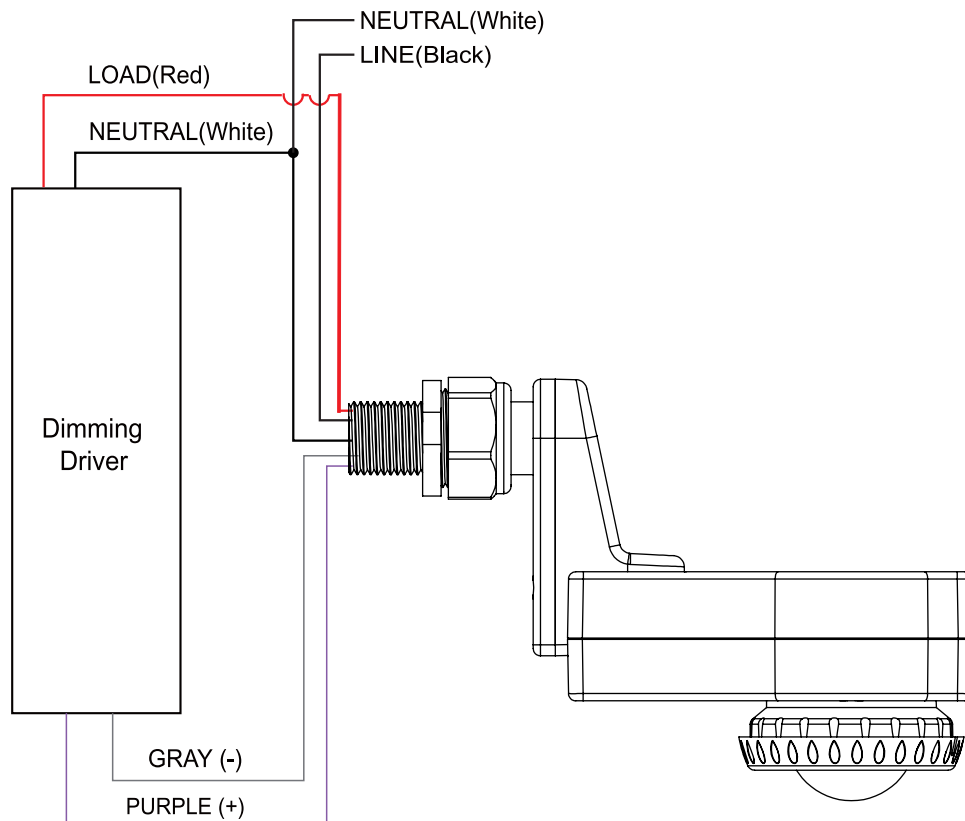


T-1 LIGHTING

# "Z" Type Network BLE Node and Sensors

T1-BLU-SS123X

T1-BLU\_SS123B wiring with dimming ballase or LED driver.



WIRING DIAGRAM

Using the T-1 Lighting mobile app, you can pair devices, create groups, set scenes & schedules, customize dimming levels, and adjust the high trim based on application needs.



APP