



T-1 LIGHTING

Project	Catalog #
Distributor	Type
Prepared by	Date



Rectangular Network BLE Node & Sensor

T1-BLU-SS119B/T1-BLU-SS119D

The T1-BLU-SS119B/T1-BLU-SS119D provides automated individual and group control of light fixtures using Bluetooth sgmesh technology. It is mounted in commercial lighting fixtures to provide a multi-level dimming control solution with motion and daylight harvesting capabilities. By pairing it with the T-1 Lighting app or a Bluetooth network with SaaS, the sensor can be configured for individual, group, or scene schedules, customized dimming levels, and adjust angle depending on application. It comes in sheathed wire (IP65) and non-sheathed wire (IP20) variants, plus 2 lens options.

PIR
SENSOR

Daylight Harvesting	ON/OFF	Mounting Height	13-40ft
Motion Sensing	ON/OFF	Detection Range	Up to 52ft diameter
First Time Delay	1-59 minutes/infinite	Detection Horizontal Pattern	360°
Second Time Delay	0-59 minutes/infinite	Detection Vertical Pattern	90°
Dim Level	0-100%		



Network BLED Sgmesh	Yes	Programming	T-1 Lighting mobile app or SaaS
Daylight Harvesting	Yes	Cyber Security	UL1376
Digital PIR Motion Sensor	Yes	Encryption	AES 128-bit
Detection Mode	Occupancy / Vacancy / Bi-Level in 1 Unit	Mesh Range	100ft. node-to-node and 50ft node-to-device
Operating Voltage	120-277 VAC	Safety	cULus Listed
Maximum Load	5A 600W Max. for LED driver only	Operating Temperature	-40° ~ +167°F [-40° ~ +75°C]
Sinking Current	Max. 25mA	IP Rating	IP65 (sheathed wire) IP20 (non-sheathed wire)
Control Output	0-10V	Color	Black/White
Radio Frequency	2.4GHz ± 75MHz	Warranty	Five Years
Wireless Standard	BLE 4.2 MESH IEEE 802.15.1		

SPECS



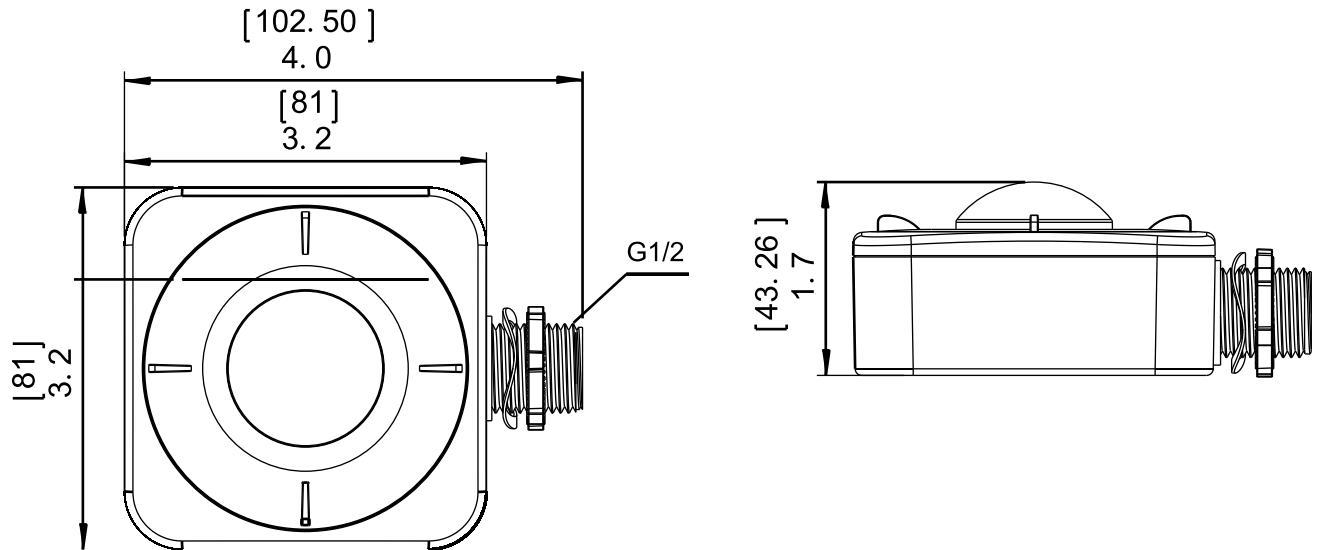
T-1 LIGHTING

Bluetooth Multi-Level ON/OFF PIR Light Sensor

T1-BLU-SS119B

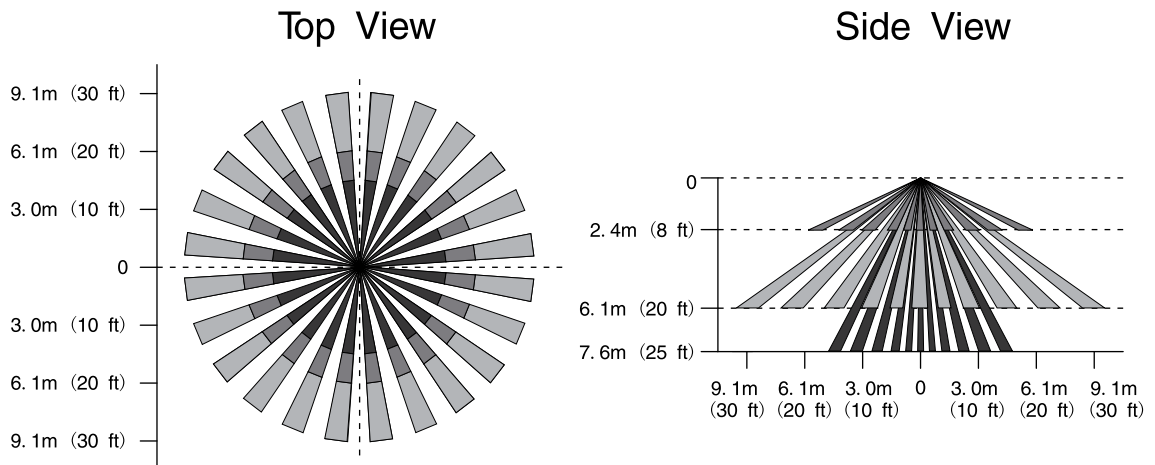
DIMENSIONS

SHEATHED WIRE (IP20)



L1/L5 Len

Low Bay
360°



COVERAGE



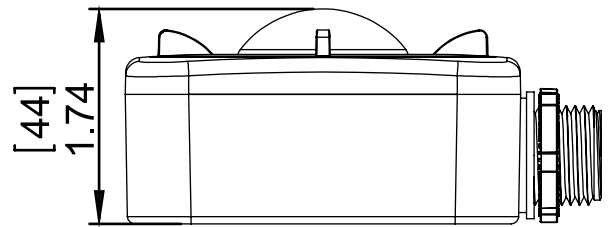
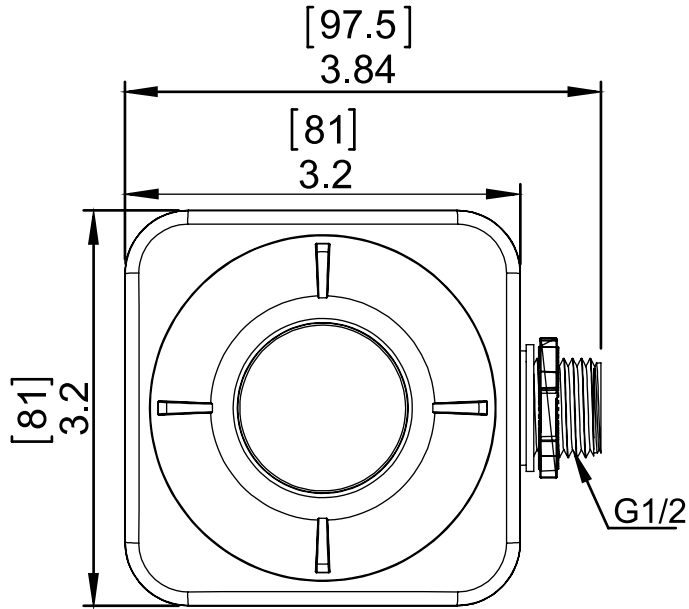
T-1 LIGHTING

Bluetooth Multi-Level ON/OFF PIR Light Sensor

T1-BLU-SS119D

DIMENSIONS

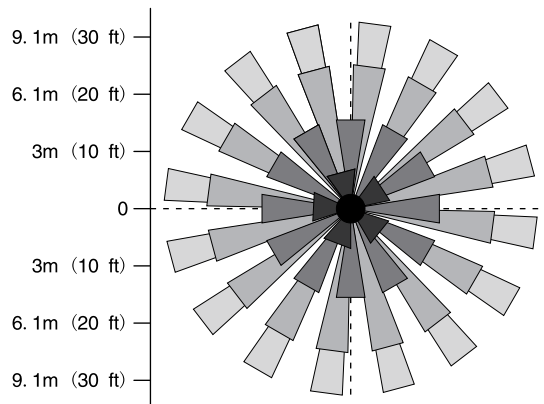
NON-SHEATHED WIRE (IP65)



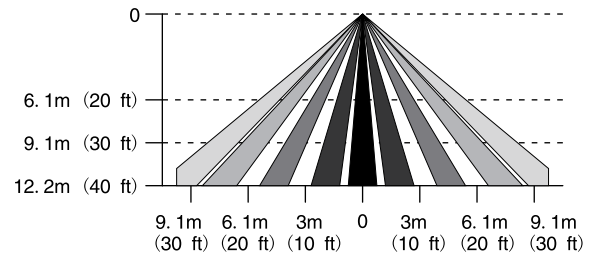
L2L6 Len

High Bay
360°

Top View



Side View



COVERAGE

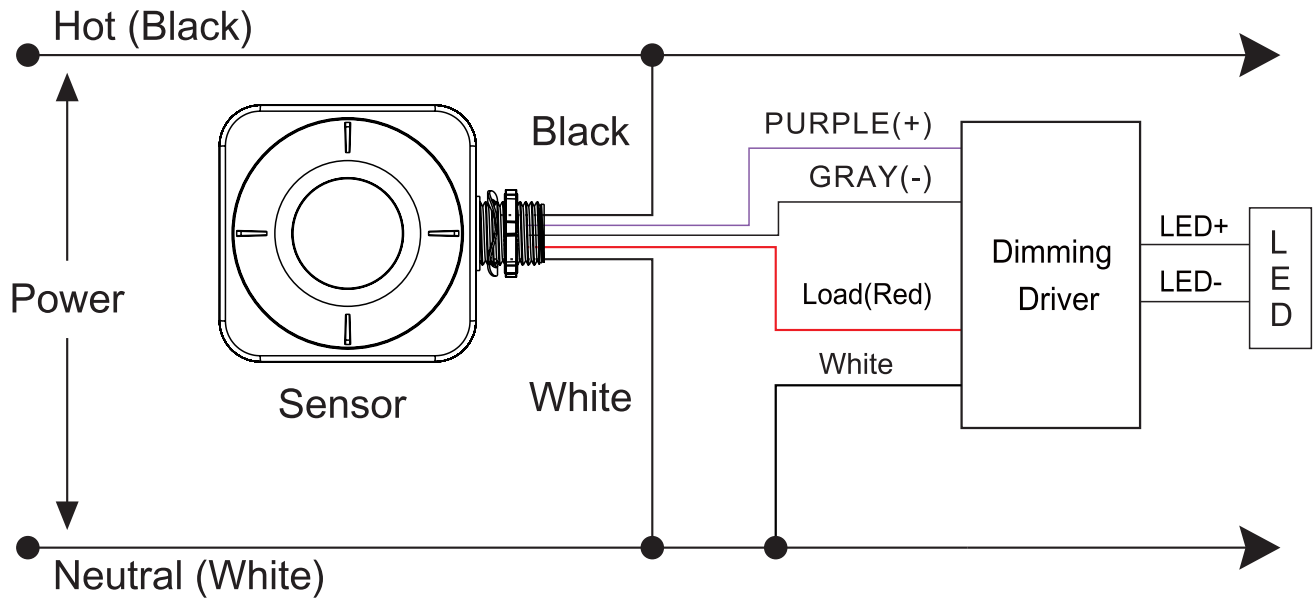


T-1 LIGHTING

Bluetooth Multi-Level ON/OFF PIR Light Sensor

T1-BLU-SS119B/T1-BLU-SS119D

WIRING WITH DIMMING BALLAST OR LED DRIVER



WIRING DIAGRAM

Using the T-1 Lighting mobile app, you can pair devices, create groups, set scenes & schedules, customize dimming levels, and adjust the high trim based on application needs.



APP